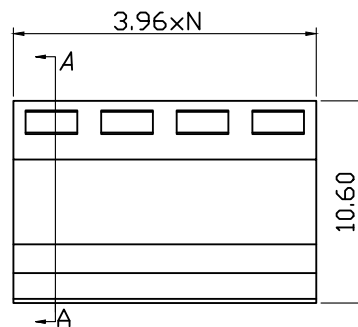


SECTION A-A

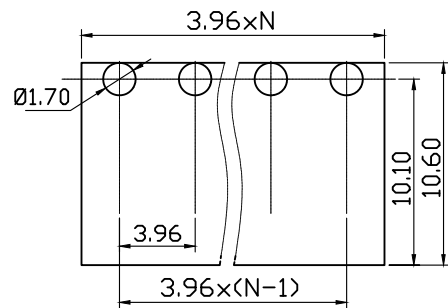


Material
Housing:PA66,UL94V-0
Pin header:Brass,Sn plated

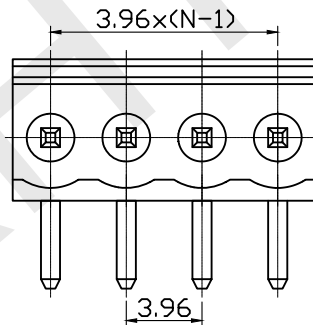
Electrical
Rated voltage:300V
Rated current:8A

Contact Resistance:20 mΩ
Insulation resistance:500MΩ/DC500V
Withstand voltage:AC2000V/1min

Mechanical
Temp.Range:-40℃~+105℃



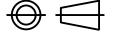
PCB LAYOUT



Order Information

RHTBYDR-3.96-XXP-4 00
Terminal Block
Pitch
No. of Pole
Color: 4-Green
Product Code: 00~99

 NINGBO RHT ELECTRONIC CO.,LTD

UNITS:mm	SHEET SIZE: A4			SCALE:---	DRWN BY PAN
0~3	3~18	18~50	50~120	CHK'D BY FENG	THIRD ANGLE PROJECTION 
±0.12	±0.15	±0.3	±0.5	APPR BY ZHAN	

Pluggable Terminal Block 3.96MM
RHTBYDR-3.96-XXP-4-00