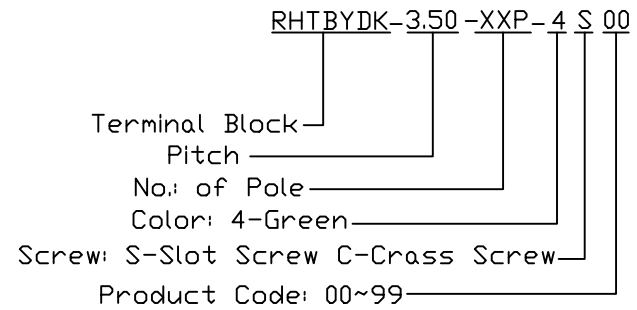


Material
 Housing:PA66, UL94V-0
 Clamp:Phosphor bronze, NiPlated
 Screws:M2 Steel,Zinc plated
 Wire guard:Brass,Ni plated

Electrical
 Rated voltage:300V
 Rated current:8A
 Contact Resistance:20 mΩ
 Insulation resistance:500MΩ/DC500V
 Withstand voltage:AC2000V/1min
 Wire Range:28~16AWG 1.5mm²

Mechanical
 Temp.Range:-40℃~+ 105℃
 Strip length:6~7mm
 Torque:0.2Nm(1.7 bin)

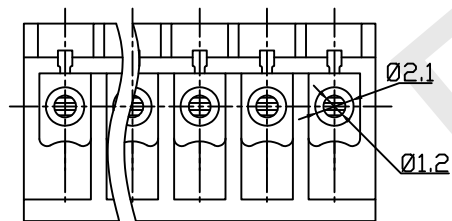
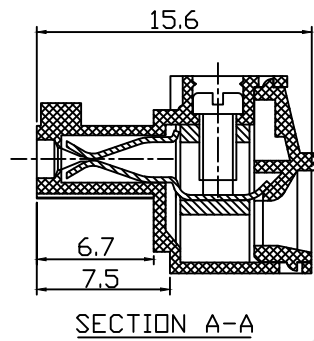
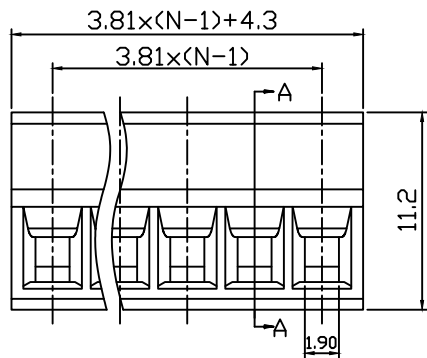
Order Information



RHTECP NINGBO RHT ELECTRONIC CO.,LTD

UNITS:mm	SHEET SIZE: A4			SCALE:---	DRWN BY PAN
0~3	3~18	18~50	50~120	CHK'D BY FENG	
±0.12	±0.15	±0.3	±0.5	APPR BY ZHAN	

Pluggable Terminal Block 3.50MM
 THIRD ANGLE PROJECTION
 RHTBYDK-3.50-XXP-4S-00

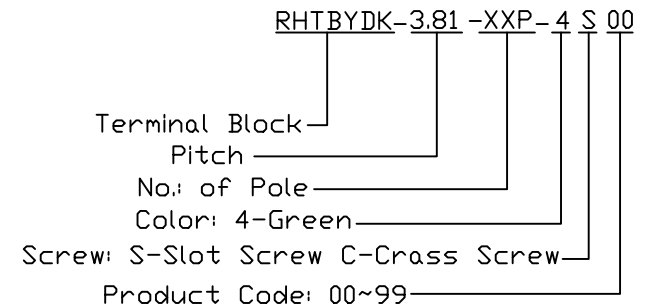


Material
 Housing:PA66, UL94V-0
 Clamp:Phosphor bronze, NiPlated
 Screws:M2 Steel,Zinc plated
 Wire guard:Brass,Ni plated

Electrical
 Rated voltage:300V
 Rated current:8A
 Contact Resistance:20 mΩ
 Insulation resistance:500MΩ/DC500V
 Withstand voltage:AC2000V/1min
 Wire Range:28~16AWG 1.5mm²

Mechanical
 Temp.Range:-40℃~+ 105℃
 Strip length:6~7mm
 Torque:0.2Nm(1.7 bin)

Order Information



RHTECP NINGBO RHT ELECTRONIC CO.,LTD

UNITS:mm	SHEET SIZE: A4			SCALE:---	DRWN BY PAN
0~3	3~18	18~50	50~120	CHK'D BY FENG	
±0.12	±0.15	±0.3	±0.5	APPR BY ZHAN	

Pluggable Terminal Block 3.81MM
 THIRD ANGLE PROJECTION
 RHTBYDK-3.81-XXP-4S-00