

Material

Housing: PA66, UL94V-0

Pin header: Brass, Tin plated

Electrical

Rated voltage: 300V

Rated current: 15A

Contact Resistance: 20 mΩ

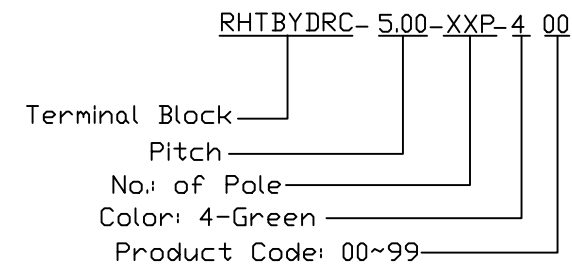
Insulation resistance: 500MΩ/DC500V

Withstand voltage: AC2000V/1min

Mechanical

Temp. Range: -40°C~+ 105°C

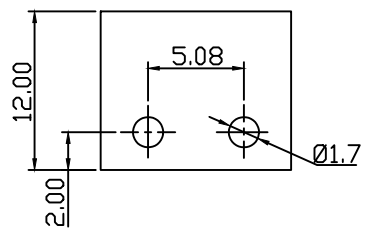
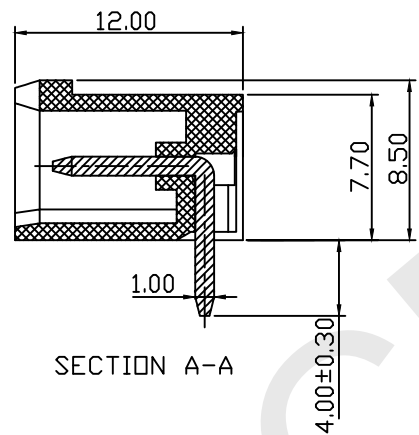
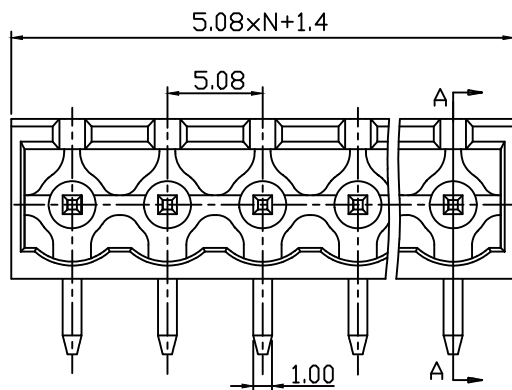
Order Information



RHTECP NINGBO RHT ELECTRONIC CO.,LTD

UNITS:mm	SHEET SIZE: A4			SCALE:---	DRWN BY PAN
0~3	3~18	18~50	50~120	CHK'D BY FENG	
±0.12	±0.15	±0.3	±0.5	APPR BY ZHAN	

Pluggable Terminal Block 5.00MM
 THIRD ANGLE PROJECTION
 RHTBYDDV-5.00-XXP-4-00



Material

Housing: PA66, UL94V-0

Pin header: Brass, Tin plated

Electrical

Rated voltage: 300V

Rated current: 15A

Contact Resistance: $\leq 20 \text{ m}\Omega$

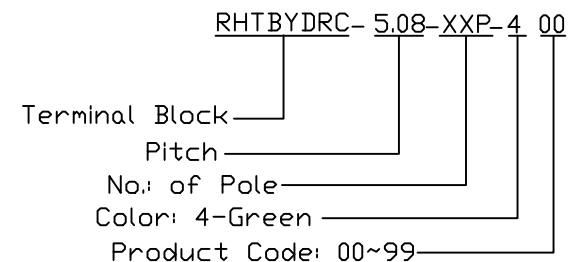
Insulation resistance: $500 \text{ M}\Omega / \text{DC} 500 \text{ V}$

Withstand voltage: AC2000V/1min

Mechanical

Temp. Range: $-40^\circ\text{C} \sim +105^\circ\text{C}$

Order Information



RHTECP NINGBO RHT ELECTRONIC CO.,LTD

UNITS:mm	SHEET SIZE: A4			SCALE: ---	DRWN BY PAN
0~3	3~18	18~50	50~120	CHK'D BY FENG	
±0.12	±0.15	±0.3	±0.5	APPR BY ZHAN	

Pluggable Terminal Block 5.08MM	
THIRD ANGLE PROJECTION	RHTBYDDV-5.08-XXP-4-00