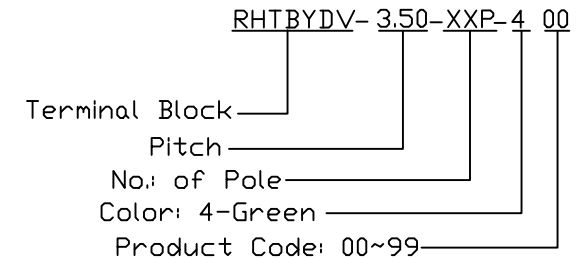


Material  
 Housing: PA66, UL94V-0  
 Pin header: Brass, Tin plated

Electrical  
 Rated voltage: 300V  
 Rated current: 8A  
 Contact Resistance: 20 mΩ  
 Insulation resistance: 500MΩ/DC500V  
 Withstand voltage: AC2000V/1min

Mechanical  
 Temp. Range: -40°C ~ +105°C

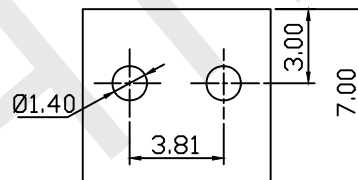
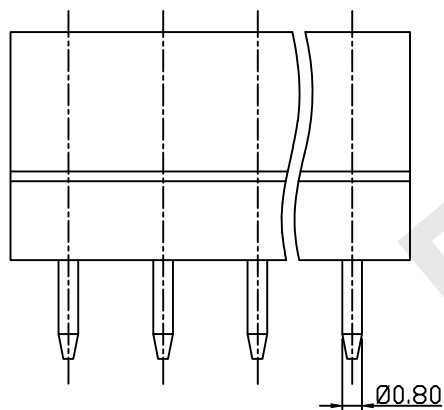
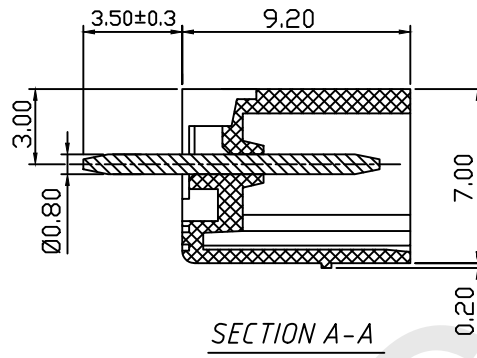
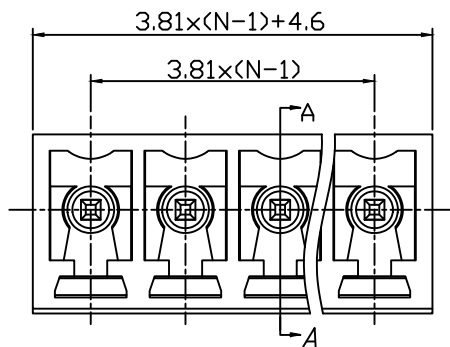
Order Information



**RHTECP** NINGBO RHT ELECTRONIC CO.,LTD

UNITS:mm	SHEET SIZE: A4			SCALE: ---	DRWN BY PAN
0~3	3~18	18~50	50~120	CHK'D BY FENG	
±0.12	±0.15	±0.3	±0.5	APPR BY ZHAN	

Pluggable Terminal Block 3.50MM  
 THIRD ANGLE PROJECTION  
 RHTBYDV-3.50-XXP-4-00



Material

Housing: PA66, UL94V-0

Pin header: Brass, Tin plated

Electrical

Rated voltage: 300V

Rated current: 8A

Contact Resistance: 20 mΩ

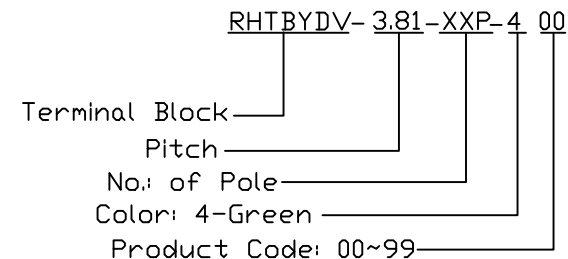
Insulation resistance: 500MΩ/DC500V

Withstand voltage: AC2000V/1min

Mechanical

Temp. Range: -40°C ~ +105°C

Order Information



**RHTECP** NINGBO RHT ELECTRONIC CO.,LTD

UNITS:mm	SHEET SIZE: A4			SCALE: ---	DRWN BY PAN
0~3	3~18	18~50	50~120	CHK'D BY FENG	
±0.12	±0.15	±0.3	±0.5	APPR BY ZHAN	

Pluggable Terminal Block 3.50MM	
THIRD ANGLE PROJECTION	RHTBYDV-3.50-XXP-4-00