

SECTION A-A

Material

Housing:PA66, UL94V-0

Pin header:Brass, Tin plated

Electrical

Rated voltage:300V

Rated current:15A

Contact Resistance:20mΩ

Insulation resistance:500MΩ/DC500V

Withstand voltage:AC2000V/1min

Mechanical

Temp.Range:-40℃~+105℃

Order Information

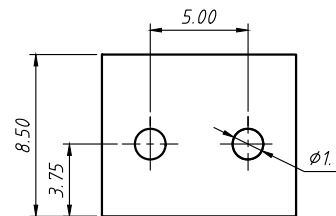
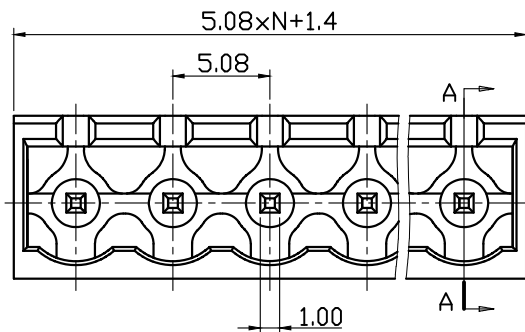
RHTBYDVC-5.00-XXP-4 00

Terminal Block _____
 Pitch _____
 No. of Pole _____
 Color: 4-Green _____
 Product Code: 00~99 _____

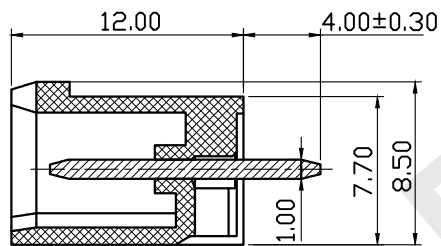
NINGBO RHT ELECTRONIC CO.,LTD

UNITS:mm	SHEET SIZE: A4		SCALE:---		DRWN BY PAN
0~3	3~18	18~50	50~120	CHK'D BY FENG	
±0.12	±0.15	±0.3	±0.5	APPR BY ZHAN	

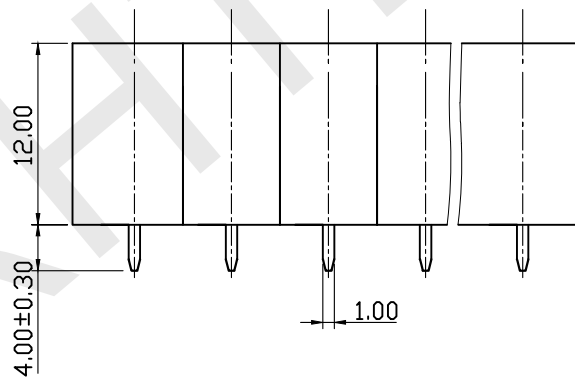
Pluggable Terminal Block 5.00MM
 THIRD ANGLE PROJECTION RHTBYDVC-5.08-XXP-4-00



SECTION A-A



SECTION A-A



Material

Housing:PA66, UL94V-0

Pin header:Brass, Tin plated

Electrical

Rated voltage:300V

Rated current:15A

Contact Resistance:20mΩ

Insulation resistance:500MΩ/DC500V

Withstand voltage:AC2000V/1min

Mechanical

Temp.Range:-40℃~+105℃

Order Information

RHTBYDVC-5.08-XXP-4 00

Terminal Block

Pitch

No. of Pole

Color: 4-Green

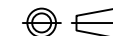
Product Code: 00~99

RHTECP NINGBO RHT ELECTRONIC CO.,LTD

UNITS:mm	SHEET SIZE: A4			SCALE:---	DRWN BY PAN
0~3	3~18	18~50	50~120	CHK'D BY FENG	
±0.12	±0.15	±0.3	±0.5	APPR BY ZHAN	

Pluggable Terminal Block 5.08MM

THIRD ANGLE PROJECTION



RHTBYDVC-5.08-XXP-4-00