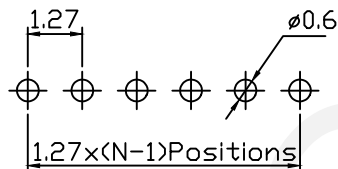
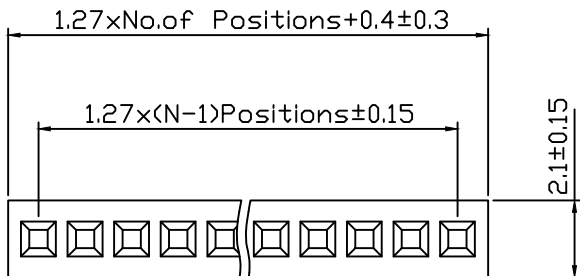
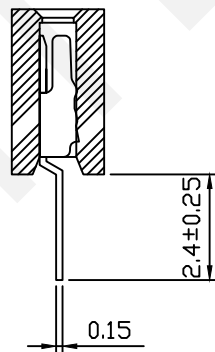
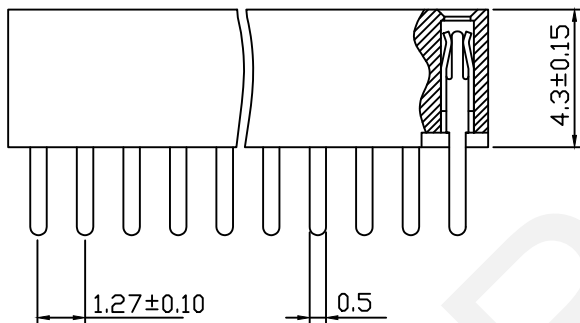


RoHS Compliance



Recommended P.C.B Layout(Top Side)
(PCB BOARD TOLERANCE±0.05)



Material:
Standard:PA6T/LCP
Contact:Phosphor Bronze
Plating:Au Or Sn Over Ni
Insulator:Polyester,UL94V-0

Electrical Characteristics:
Rated Current: 1.0AMP
Contact Resistance: 20mΩ Max
Withstand Voltage: 500V AC/DC
Insulator Resistance: 1000MΩ Min

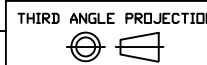
Mechanical
Operating Temperature:-40°C~+105°C
Max.Processing Temp:230°C For 30-60
Seconds (260°C For 10 Seconds)

Order Information:
RHTAY08C-4.3-1-XX-S-B

Female Header
Series 08C:1.27mm
Plastics Height:4.3mm
Per Row:Single Layer
Pin: No.of Pins (1x40)
Type:Straight Pin
Material: B=PA6T C=LCP

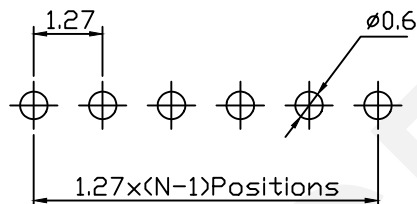
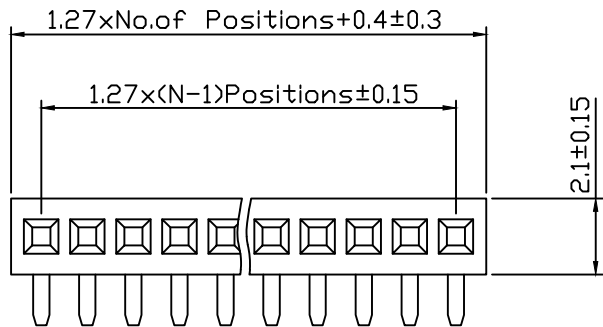
RHTECP NINGBO RHT ELECTRONIC CO.,LTD

UNITS:mm	SHEET SIZE: A4				SCALE:---	DRWN BY PAN
0~3	3~18	18~50	50~120	CHK'D BY FENG	1.27x4.3mm Female Header Single Layer,Straight Pin, 1xN Pin	
±0.12	±0.15	±0.3	±0.5	APPR BY ZHAN	THIRD ANGLE PROJECTION	RHTAY08C-4.3-1-XX-S-B

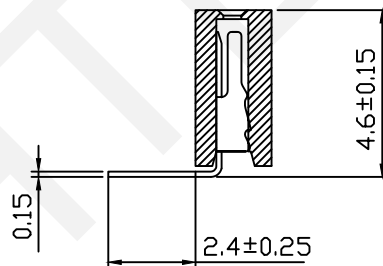
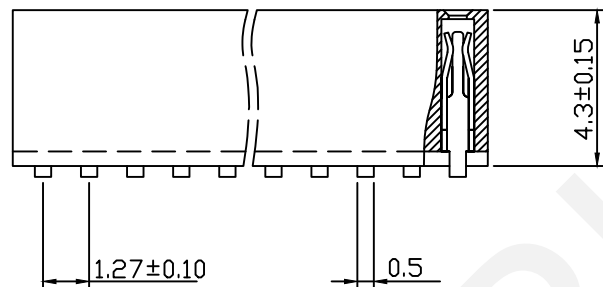


RHTAY08C-4.3-1-XX-S-B

RoHS Compliance



Recommended P.C.B Layout (Top Side)
(PCB BOARD TOLERANCE ±0.05)



Material:
Standard: PA6T/LCP
Contact: Phosphor Bronze
Plating: Au or Sn Over Ni
Insulator: Polyester, UL94V-0

Electrical Characteristics:
Rated Current: 1.0AMP
Contact Resistance: 20mΩ Max
Withstand Voltage: 500V AC/DC
Insulator Resistance: 1000MΩ Min

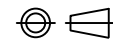
Mechanical
Operating Temperature: -40°C ~ +105°C
Max. Processing Temp: 230°C For 30-60 Seconds (260°C For 10 Seconds)

Order Information:
RHTAY08C-4.3-1-XX-R-B

Female Header
Series 08C: 1.27mm
Plastics Height: 4.3mm
Per Row: Single Layer
Pin: No. of Pins (1x40)
Type: Right Angle Pin
Material: B=PA6T C=LCP

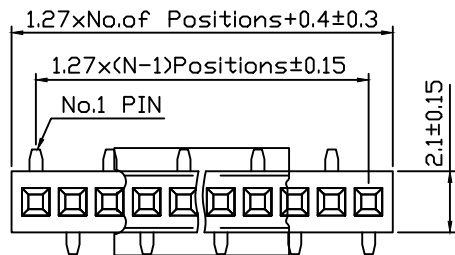
 NINGBO RHT ELECTRONIC CO., LTD

UNITS:mm	SHEET SIZE: A4	SCALE: ---	DRWN BY PAN
0~3	3~18	18~50	50~120
±0.12	±0.15	±0.3	±0.5
			CHK'D BY FENG
			APPR BY ZHAN

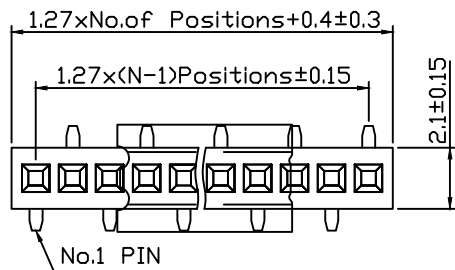
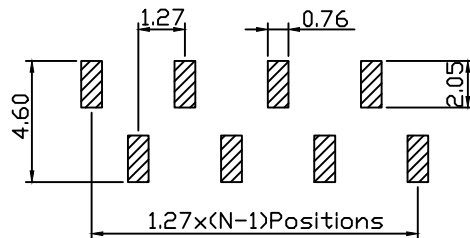
1.27x4.3mm Female Header
Single Layer, Right Angle Pin, 1xN Pin
THIRD ANGLE PROJECTION
 RHTAY08C-4.3-1-XX-R-B

RoHS Compliance

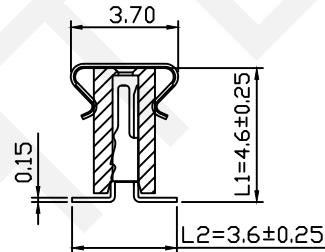
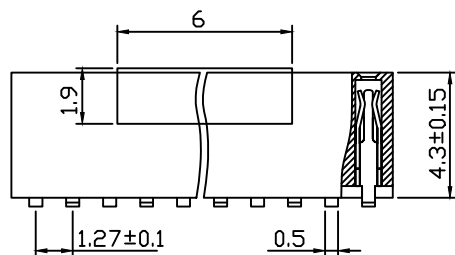
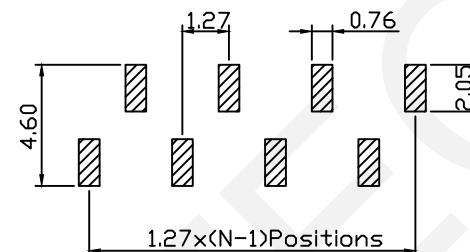
Recommended P.C.B Layout(Top Side)
(PCB BOARD TOLERANCE±0.05)



T1 Type



T2 Type



Dimension Antitheses List (mm)			
ITEM	L1	L2	Plastic Height
Standard	4.60	3.60	4.30
Nonstandard	---	---	---

Material:
Standard:PA6T/LCP
Contact:Phosphor Bronze
Plating: Au Or Sn Over Ni
Insulator: Polyester, UL94V-0
Electrical Characteristics:
Rated Current: 1.0AMP
Contact Resistance: 20mΩ Max
Withstand Voltage: 500V AC/DC
Insulator Resistance: 1000MΩ Min
Mechanical
Operating Temperature: -40℃~+105℃
Max.Processing Temp: 230℃ For 30-60 Seconds (260℃ For 10 Seconds)

Order Information:
RHTAY08C-4.3-1-XX-T1-L1xL2-N-B-R

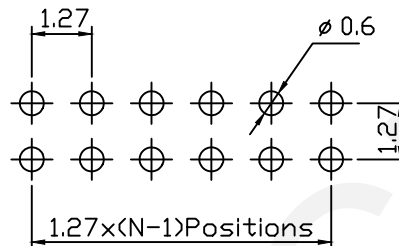
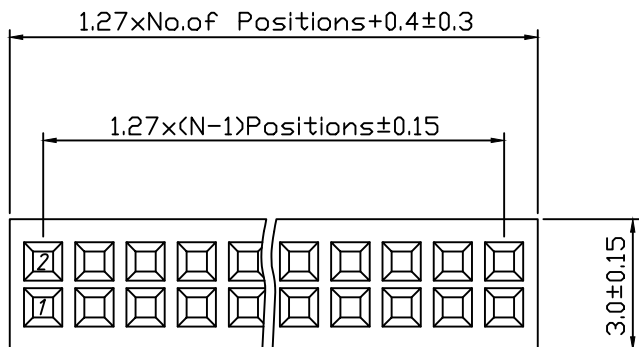
Female Header
Series 08C:1.27mm
Plastics Height:4.3mm
Per Row:Single Layer
Pin:No. Of Pins(1x40)
SMT Pins:T1 Type T2 Type
Size:L1xL2
Post:W=With Post N=W/0 Post
Material:B=PA6T C=LCP
Packing:
A=Tray T=Tube M=Reel+Mylar
P=Tube+Cap R=Reel+Cap

NINGBO RHT ELECTRONIC CO.,LTD

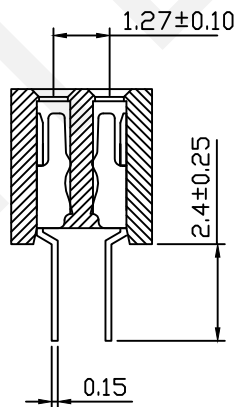
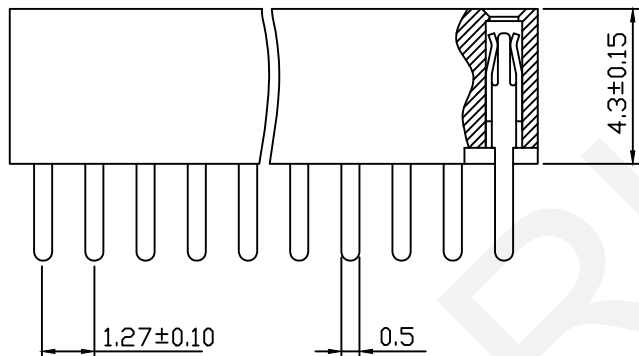
UNITS:mm	SHEET SIZE: A4	SCALE:---	DRWN BY PAN
0~3	3~18	18~50	50~120
±0.12	±0.15	±0.3	±0.5
CHK'D BY FENG		APPR BY ZHAN	

1.27mm Female Header
Single Layer, SMT Pin, 1xN Pin
THIRD ANGLE PROJECTION
 RHTAY08C-4.3-1-XX-T1-L1xL2-N-B-R

RoHS Compliance



Recommended P.C.B Layout(Top Side)
(PCB BOARD TOLERANCE±0.05)



Material:
Standard:PA6T/LCP
Contact:Phosphor Bronze
Plating:Au Or Sn Over Ni
Insulator:Polyester,UL94V-0

Electrical Characteristics:
Rated Current: 1.0AMP
Contact Resistance: 20mΩ Max
Withstand Voltage: 500V AC/DC
Insulator Resistance: 1000MΩ Min

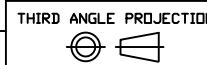
Mechanical
Operating Temperature:-40℃~+105℃
Max.Processing Temp:230℃ For 30-60
Seconds (260℃ For 10 Seconds)

Order Information:
RHTAY08C-4.3-2-XX-S-B

Female Header
Series 08C:1.27mm
Plastics Height:4.3mm
Per Row:Double Layer
Pin:No. Of Pins(02~80)
Type:Straight Pin
Material:B=PA6T C=LCP

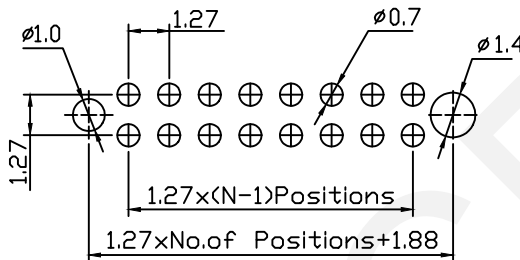
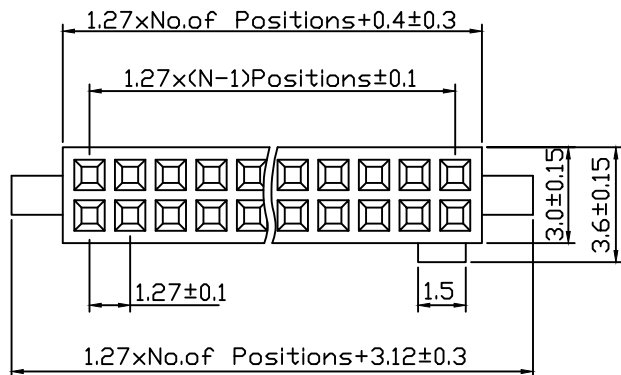
RHTECP NINGBO RHT ELECTRONIC CO.,LTD

UNITS:mm	SHEET SIZE: A4				SCALE:---	DRWN BY PAN
0~3	3~18	18~50	50~120	CHK'D BY FENG	1.27x4.3mm Female Header Double Layer, Straight Pin, 2xN Pin	
±0.12	±0.15	±0.3	±0.5	APPR BY ZHAN	THIRD ANGLE PROJECTION	RHTAY08C-4.3-2-XX-S-B



RHTAY08C-4.3-2-XX-S-B

RoHS Compliance



Recommended P.C.B Layout (Top Side)
(PCB BOARD TOLERANCE ± 0.05)

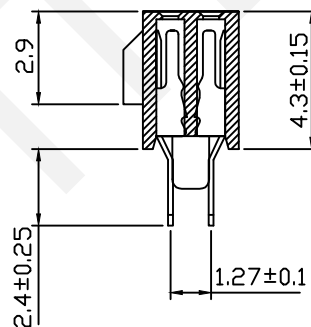
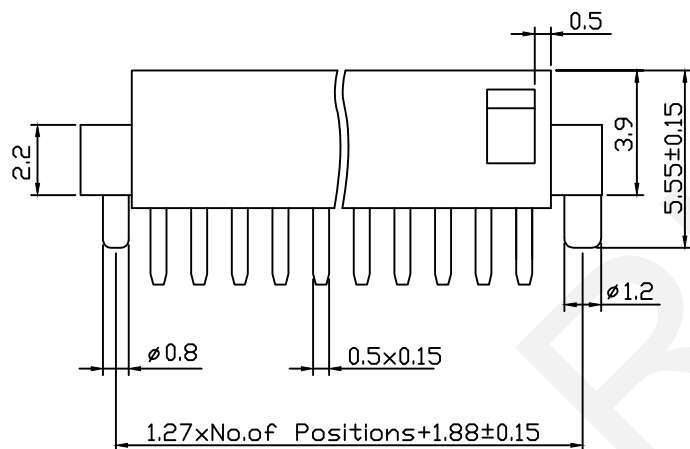
Material:
Standard: PA6T/LCP
Contact: Phosphor Bronze
Plating: Au or Sn Over Ni
Insulator: Polyester, UL94V-0

Electrical Characteristics:
Rated Current: 1.0AMP
Contact Resistance: 20m Ω Max
Withstand Voltage: 500V AC/DC
Insulator Resistance: 1000M Ω Min

Mechanical
Operating Temperature: $-40^{\circ}\text{C} \sim +105^{\circ}\text{C}$
Max. Processing Temp: 230°C For 30-60 Seconds
(260°C For 10 Seconds)

Order Information:
RHTAY08C-4.3-2-12-S1-B

Female Header
Series 08C: 1.27mm
Plastics Height: 4.3mm
Per Row: Double Layer
Pin: No. of Pins (02~100)
Type: Straight Pin
Material: B=PA6T C=LCP

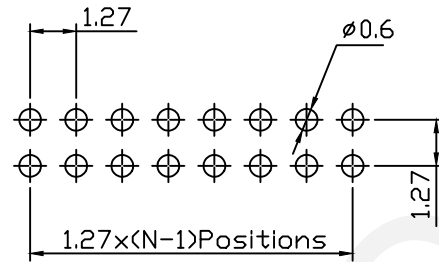
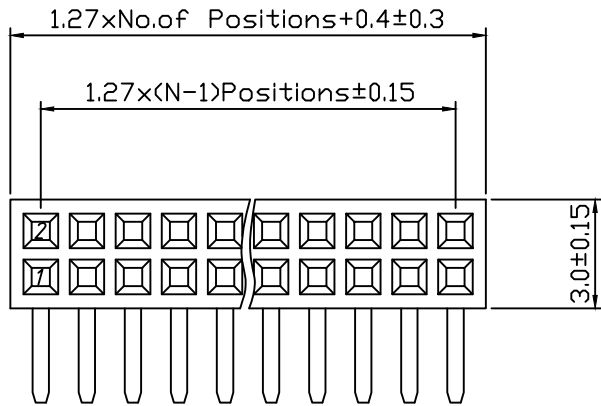


RHTECP NINGBO RHT ELECTRONIC CO.,LTD

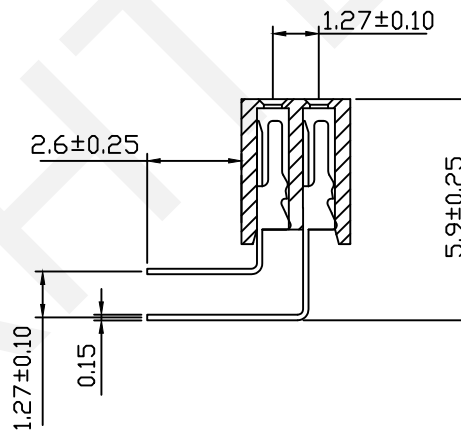
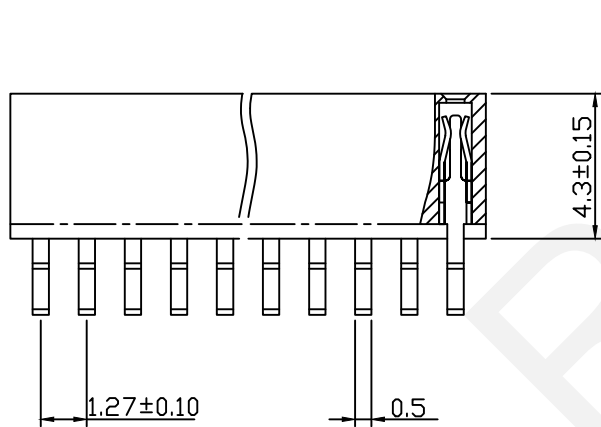
UNITS:mm	SHEET SIZE: A4	SCALE: ---	DRWN BY PAN
0~3	3~18	18~50	50~120
± 0.12	± 0.15	± 0.3	± 0.5
			CHK'D BY FENG
			APPR BY ZHAN

1.27x4.3mm Female Header Double Layer, Straight Pin, 2xN Pin	
THIRD ANGLE PROJECTION	RHTAY08C-4.3-2-12-S1-B

RoHS Compliance



Recommended P.C.B Layout (Top Side)
(PCB BOARD TOLERANCE ±0.05)



Material:
Standard: PA6T/LCP
Contact: Phosphor Bronze
Plating: Au or Sn Over Ni
Insulator: Polyester, UL94V-0

Electrical Characteristics:
Rated Current: 1.0AMP
Contact Resistance: 20mΩ Max
Withstand Voltage: 500V AC/DC
Insulator Resistance: 1000MΩ Min

Mechanical
Operating Temperature: -40°C ~ +105°C
Max. Processing Temp: 230°C For 30-60 Seconds (260°C For 10 Seconds)

Order Information:
RHTAY08C-4.3-2-XX-R-B

Female Header
Series 08C: 1.27mm
Plastics Height: 4.3mm
Per Row: Double Layer
Pin: No. of Pins (02~80)
Type: Right Angle Pin
Material: B=PA6T C=LCP

NINGBO RHT ELECTRONIC CO., LTD

UNITS:mm	SHEET SIZE: A4				SCALE: ---	DRWN BY PAN
0~3	3~18	18~50	50~120	CHK'D BY FENG		
±0.12	±0.15	±0.3	±0.5	APPR BY ZHAN		

1.27x4.3mm Female Header
Double Layer, Right Angle Pin, 2xN Pin
THIRD ANGLE PROJECTION
 RHTAY08C-4.3-2-XX-R-B

RoHS Compliance

Recommended P.C.B Layout(Top Side)

(PCB BOARD TOLERANCE±0.05)

Material:

Standard:PA6T/LCP

Contact:Phosphor Bronze

Plating:Au Or Sn Over Ni

Insulator:Polyester,UL94V-0

Electrical Characteristics:

Rated Current: 1.0AMP

Contact Resistance: 20mΩ Max

Withstand Voltage: 500V AC/DC

Insulator Resistance: 1000MΩ Min

Mechanical

Operating Temperature:-40℃~+105℃

Max.Processing Temp:230℃ For 30-60

Seconds (260℃ For 10 Seconds)

Order Information:

RHTAY08C-4.3-2-XX-T-L1xL2-B-R

Female Header

Series 08C:1.27mm

Plastics Height:4.3mm

Per Row:Double Layer

Pin:No. Of Pins(02~80)

SMT:T=Without Post,

T3=With Post

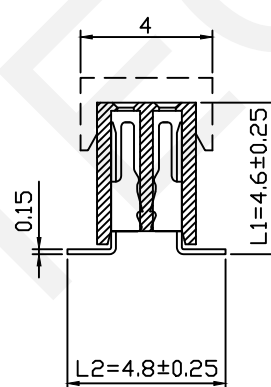
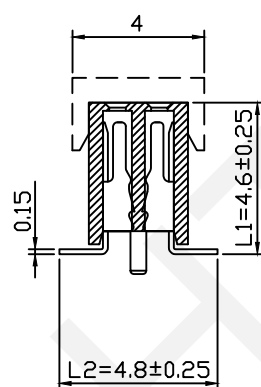
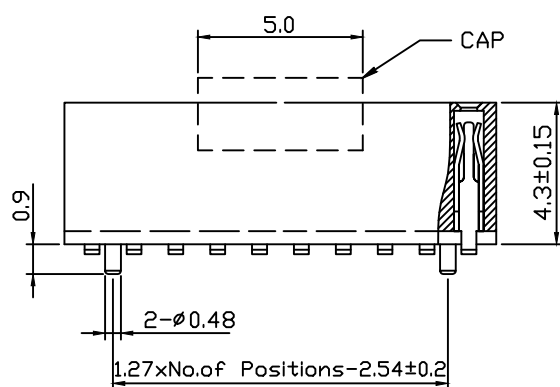
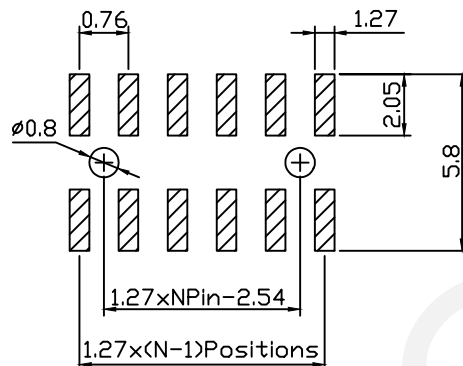
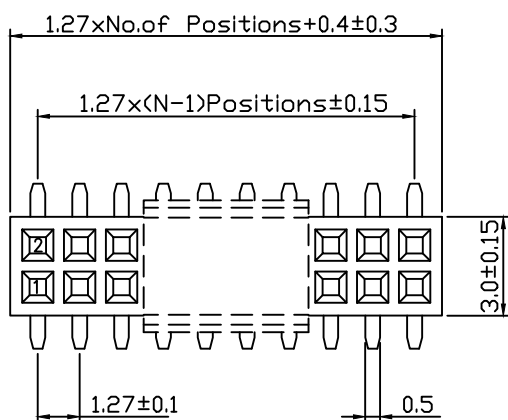
Size:L1xL2

Material:B=PA6T C=LCP

Packing:

A=Tray T=Tube M=Reel+Mylar

P=Tube+Cap R=Reel+Cap



T3=With Post

T=Without Post

Dimension Antitheses List (mm)

ITEM	L1	L2	Plastic Height
Standard	4.60	4.80	4.30
Nonstandard	---	---	---

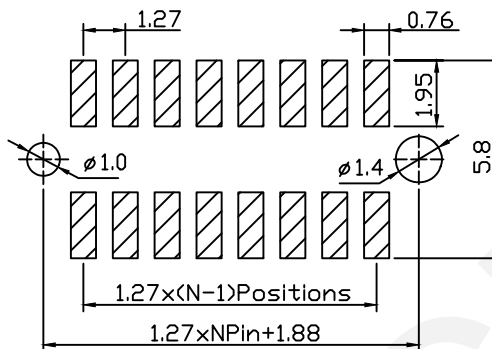
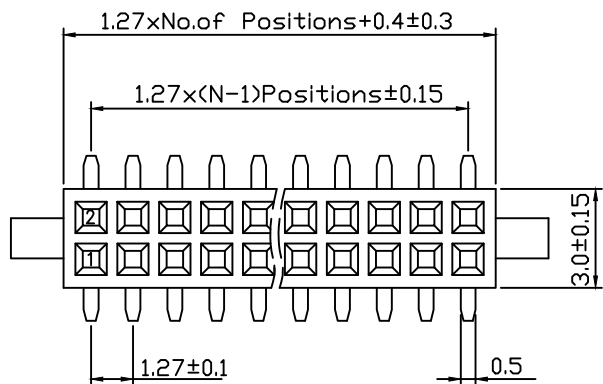
RHTECP[®] NINGBO RHT ELECTRONIC CO.,LTD

UNITS:mm	SHEET SIZE: A4		SCALE:---
0~3	3~18	18~50	50~120
±0.12	±0.15	±0.3	±0.5

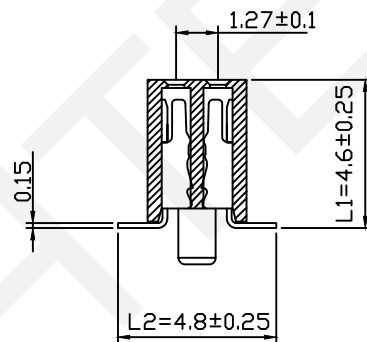
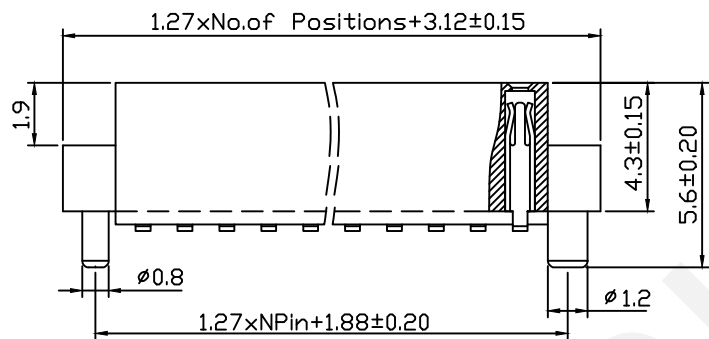
DRWN BY PAN
CHK'D BY FENG
APPR BY ZHAN

1.27mm Female Header
Double Layer, SMT Pin, 2xN Pin
THIRD ANGLE PROJECTION
RHTAY08C-4.3-2-XX-T-L1xL2-B-R

RoHS Compliance



Recommended P.C.B Layout (Top Side)
(PCB BOARD TOLERANCE ±0.05)



Dimension Antitheses List (mm)			
ITEM	L1	L2	Plastic Height
Standard	4.60	4.80	4.30
Nonstandard	---	---	---

Material:
Standard: PA6T/LCP
Contact: Phosphor Bronze
Plating: Au Or Sn Over Ni
Insulator: Polyester, UL94V-0
Electrical Characteristics:
Rated Current: 1.0AMP
Contact Resistance: 20mΩ Max
Withstand Voltage: 500V AC/DC
Insulator Resistance: 1000MΩ Min
Mechanical
Operating Temperature: -40°C~+105°C
Max. Processing Temp: 230°C For 30-60 Seconds (260°C For 10 Seconds)

Order Information:
RHTAY08C-4.3-2-XX-T4-L1xL2-B-R

Female Header
Series 08C: 1.27mm
Plastics Height: 4.3mm
Per Row: Double Layer
Pin: No. of Pins (02~80)
SMT Pins: T4 Type
Size: L1xL2
Material: B=PA6T C=LCP
Packing: _____
A=Tray T=Tube M=Reel+Mylar
P=Tube+Cap R=Reel+Cap

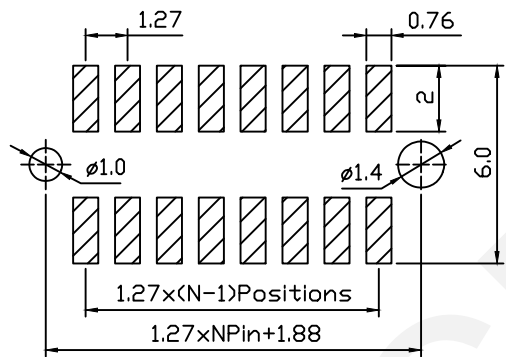
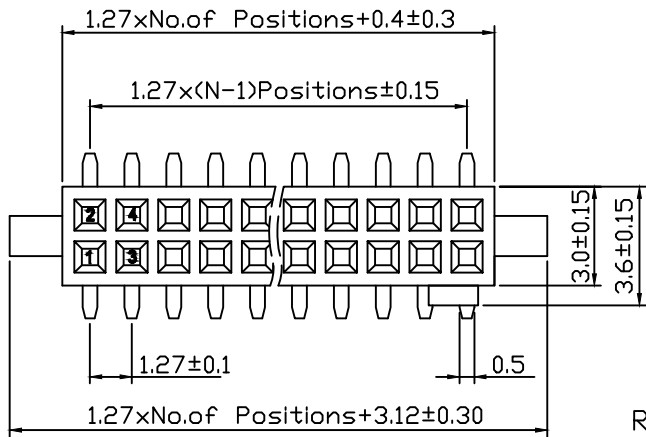
RHTECP NINGBO RHT ELECTRONIC CO.,LTD

UNITS:mm	SHEET SIZE: A4		SCALE:---
0~3	3~18	18~50	50~120
±0.12	±0.15	±0.3	±0.5

DRWN BY PAN
CHK'D BY FENG
APPR BY ZHAN

1.27mm Female Header
Double Layer, SMT Pin, 2xN Pin
THIRD ANGLE PROJECTION
RHTAY08C-4.3-2-XX-T4-L1xL2-B-R

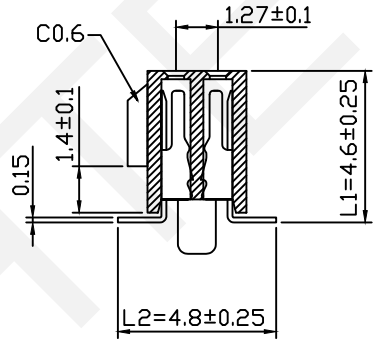
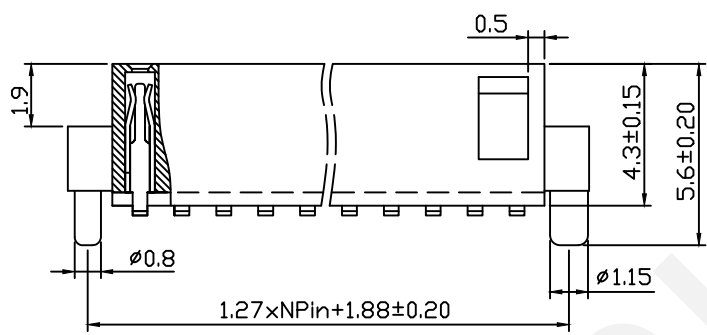
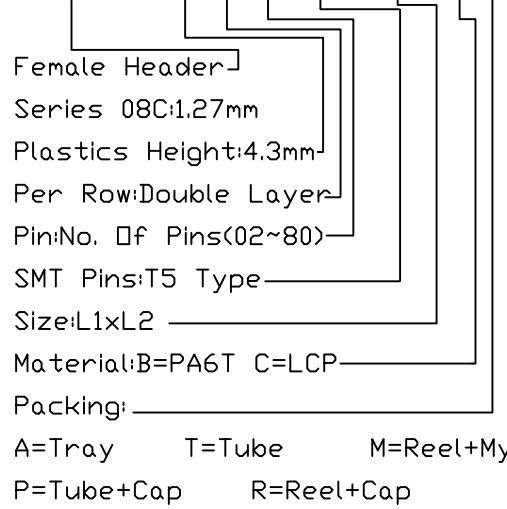
RoHS Compliance



Recommended P.C.B Layout (Top Side)
(PCB BOARD TOLERANCE ± 0.05)

Material:
Standard: PA6T/LCP
Contact: Phosphor Bronze
Plating: Au Or Sn Over Ni
Insulator: Polyester, UL94V-0
Electrical Characteristics:
Rated Current: 1.0AMP
Contact Resistance: 20m Ω Max
Withstand Voltage: 500V AC/DC
Insulator Resistance: 1000M Ω Min
Mechanical
Operating Temperature: $-40^{\circ}\text{C} \sim +105^{\circ}\text{C}$
Max. Processing Temp: 230°C For 30-60 Seconds
 260°C For 10 Seconds

Order Information:
RHTAY08C-4.3-2-XX-T5-L1xL2-B-R



Dimension Antitheses List (mm)			
ITEM	L1	L2	Plastic Height
Standard	4.60	4.80	4.30
Nonstandard	---	---	---

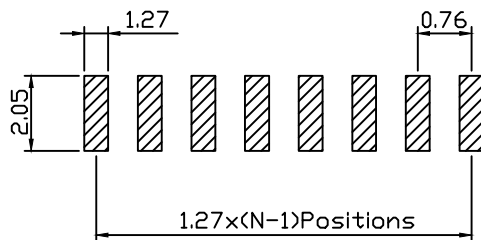
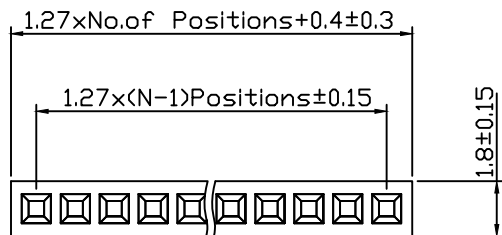
RHTECP NINGBO RHT ELECTRONIC CO.,LTD

UNITS:mm	SHEET SIZE: A4		SCALE:---
0~3	3~18	18~50	50~120
± 0.12	± 0.15	± 0.3	± 0.5

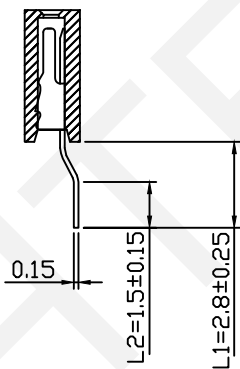
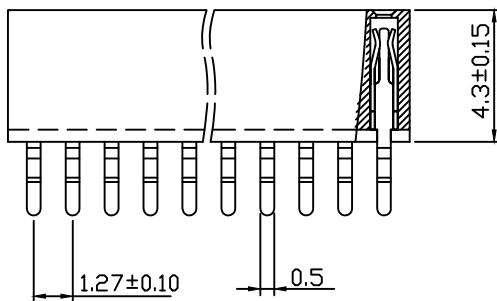
DRWN BY PAN
CHK'D BY FENG
APPR BY ZHAN

1.27mm Female Header
Double Layer, SMT Pin, 2xN Pin
THIRD ANGLE PROJECTION
RHTAY08C-4.3-2-XX-T5-L1xL2-B-R

RoHS Compliance



Recommended P.C.B Layout (Top Side)
(PCB BOARD TOLERANCE±0.05)



Dimension Antitheses List (mm)			
ITEM	L1	L2	Plastic Height
Standard	2.8	1.5	4.3
Nonstandard	---	---	---

Material:
Standard:PA6T/LCP
Contact:Phosphor Bronze
Plating:Au Or Sn Over Ni
Insulator:Polyester,UL94V-0
Electrical Characteristics:
Rated Current: 1.0AMP
Contact Resistance: 20mΩ Max
Withstand Voltage: 500V AC/DC
Insulator Resistance: 1000MΩ Min
Mechanical
Operating Temperature:-40℃~+105℃
Max.Processing Temp:230℃ For 30-60
Seconds (260℃ For 10 Seconds)

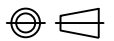
Order Information:

RHTAY08CA-4.3-1-XX-RM-L1xL2-N-B-R

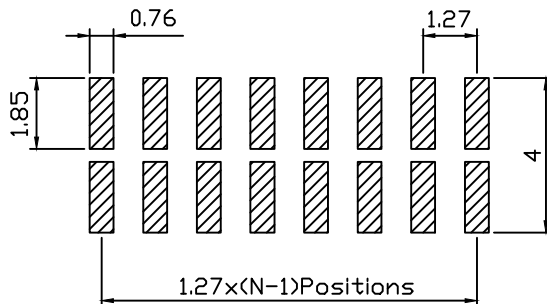
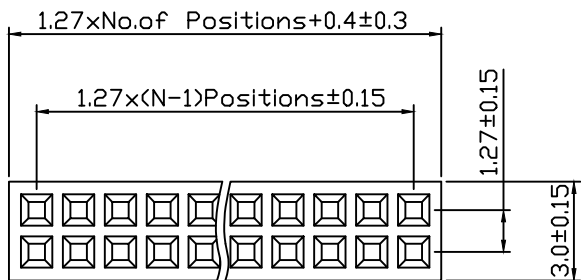
Pin Header Series
08CA:1.27mm
Plastics Height:4.3mm
Per Row:Single Layer
Pin:No. Of Pins(1x40)
SMT Type:Horizontal SMT
Size:L1xL2
Post:W=With Post N=W/0 Post
Material:B=PA6T C=LCP
Packing:
A=Tray T=Tube M=Reel+Mylar
P=Tube+Cap R=Reel+Cap

 NINGBO RHT ELECTRONIC CO.,LTD

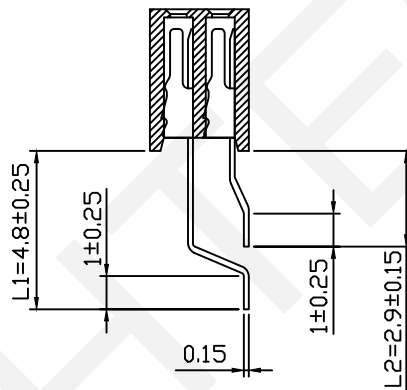
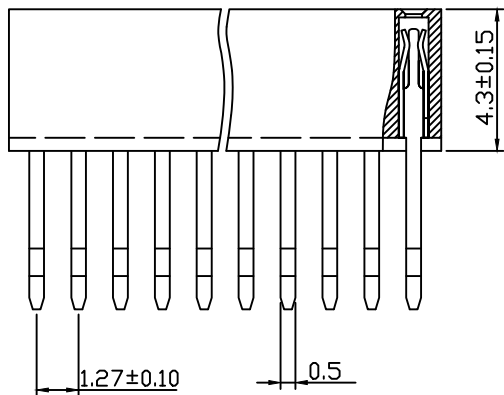
UNITS:mm	SHEET SIZE: A4	SCALE:---	DRWN BY PAN
0~3	3~18	18~50	50~120
±0.12	±0.15	±0.3	±0.5
			CHK'D BY FENG
			APPR BY ZHAN

1.27x4.3mm Female Header
Single Layer,Horizontal Pin, 1xN Pin
THIRD ANGLE PROJECTION

RHTAY08CA-4.3-1-XX-RM-L1xL2-N-B-R

RoHS Compliance



Recommended P.C.B Layout (Top Side)
(PCB BOARD TOLERANCE ±0.05)



Dimension Antitheses List (mm)			
ITEM	L1	L2	Plastic Height
Standard	4.8	2.9	4.3
Nonstandard	---	---	---

Material:

Standard: PA6T/LCP

Contact: Phosphor Bronze

Plating: Au or Sn Over Ni

Insulator: Polyester, UL94V-0

Electrical Characteristics:

Rated Current: 1.0AMP

Contact Resistance: 20mΩ Max

Withstand Voltage: 500V AC/DC

Insulator Resistance: 1000MΩ Min

Mechanical

Operating Temperature: -40°C ~ +105°C

Max. Processing Temp: 230°C For 30-60

Seconds (260°C For 10 Seconds)

Order Information:

RHTAY08CA-4.3-2-XX-RM-L1xL2-N-B-R

Pin Header Series

08CA: 1.27mm

Plastics Height: 4.3mm

Per Row: Double Layer

Pin: No. of Pins (02~80)

SMT Type: Horizontal SMT

Size: L1xL2

Post: W=With Post N=W/0 Post

Material: B=PA6T C=LCP

Packing:

A=Tray T=Tube M=Reel+Mylar

P=Tube+Cap R=Reel+Cap

NINGBO RHT ELECTRONIC CO., LTD

UNITS: mm	SHEET SIZE: A4	SCALE: ---	DRWN BY PAN
0~3	3~18	18~50	50~120
±0.12	±0.15	±0.3	±0.5

CHK'D BY FENG
APPR BY ZHAN

1.27x4.3mm Female Header
Double Layer, Horizontal Pin, 1xN Pin
THIRD ANGLE PROJECTION
 RHTAY08CA-4.3-2-XX-RM-L1xL2-N-B-R