

SECTION A-A

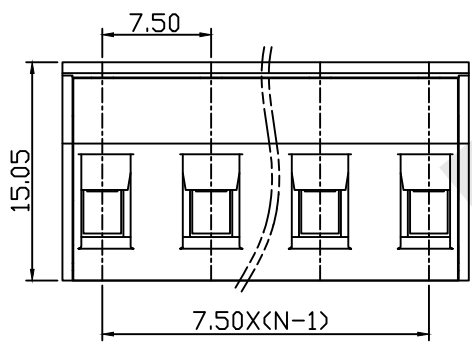
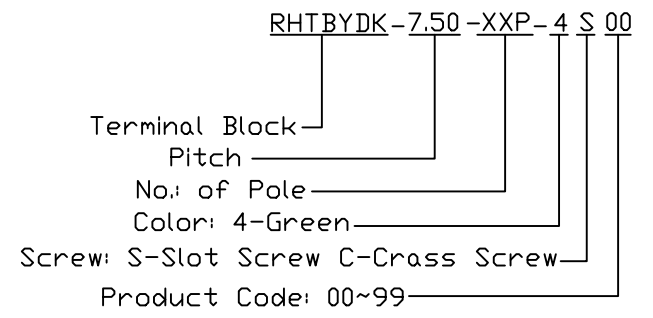
Material  
 Housing:PA66,UL94V-0  
 Cage:Brass,Nickel plated  
 Clamp:Phosphor bronze, Nickel plated  
 Screw:M3 Steel,Zn plated

Electrical  
 Rated voltage:300V  
 Rated current:15A  
 Contact Resistance:20 mΩ  
 Insulation resistance:500MΩ/DC500V  
 Withstand voltage:AC2000V/1min  
 Wire Range:28~14AWG 2.5mm<sup>2</sup>

Mechanical  
 Temp.Range:-40℃~+105℃  
 Strip length:7~8mm  
 Torque:5.1kgf-cm(4.43Lbin)

Order Information

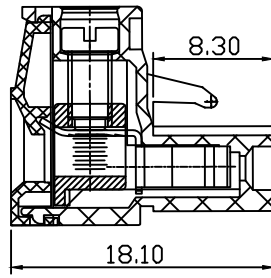
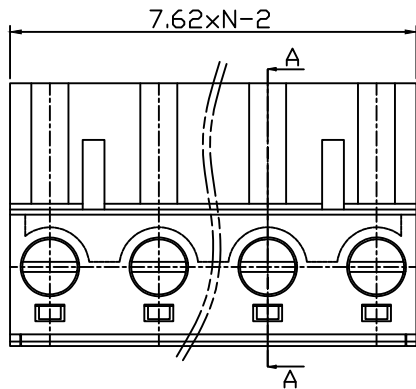
RHTBYDK-7.50-XXP-4S00



**RHTECP** NINGBO RHT ELECTRONIC CO.,LTD

UNITS:mm	SHEET SIZE: A4		SCALE:---		DRWN BY PAN
0~3	3~18	18~50	50~120	CHK'D BY FENG	
±0.12	±0.15	±0.3	±0.5	APPR BY ZHAN	

Plug-in TERM BLOCK 7.50MM  
 THIRD ANGLE PROJECTION  
 RHTBYDK-7.50-XXP-4S-00



SECTION A-A

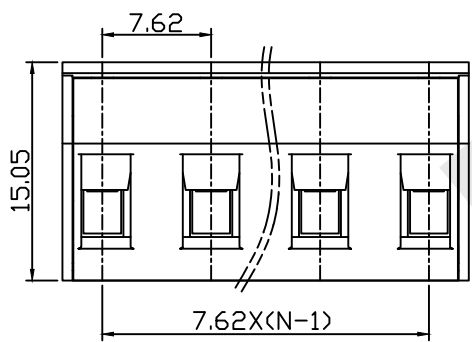
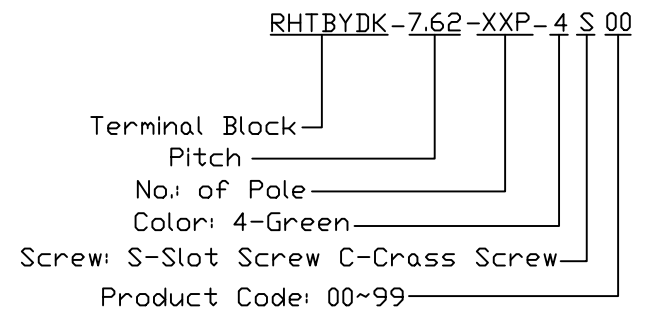
Material  
 Housing:PA66,UL94V-0  
 Cage:Brass,Nickel plated  
 Clamp:Phosphor bronze, Nickel plated  
 Screw:M3 Steel,Zn plated

Electrical  
 Rated voltage:300V  
 Rated current:15A  
 Contact Resistance:20 mΩ  
 Insulation resistance:500MΩ/DC500V  
 Withstand voltage:AC2000V/1min  
 Wire Range:28~14AWG 2.5mm<sup>2</sup>

Mechanical  
 Temp.Range:-40℃~+105℃  
 Strip length:7~8mm  
 Torque:5.1kgf-cm(4.43Lbin)

Order Information

RHTBYDK-7.62-XXP-4S00



**RHTECP** NINGBO RHT ELECTRONIC CO.,LTD

UNITS:mm	SHEET SIZE: A4			SCALE:---	DRWN BY PAN
0~3	3~18	18~50	50~120	CHK'D BY FENG	
±0.12	±0.15	±0.3	±0.5	APPR BY ZHAN	

Plug-in TERM BLOCK 7.62MM  
 THIRD ANGLE PROJECTION  
 RHTBYDK-7.62-XXP-4S-00