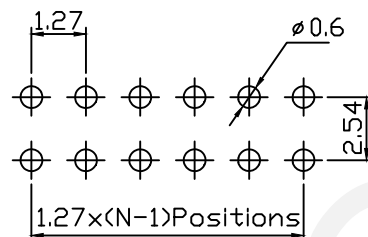
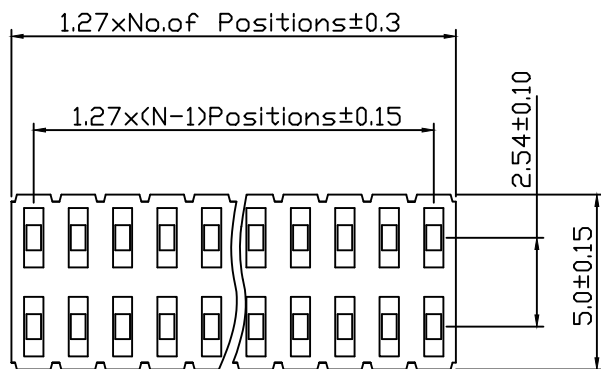
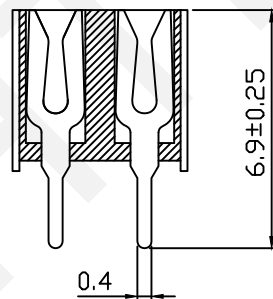
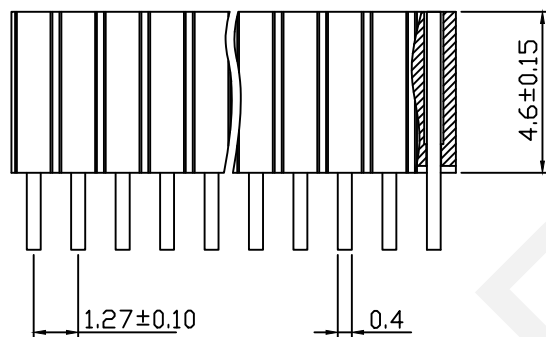


RoHS Compliance



Recommended P.C.B Layout(Top Side)
(PCB BOARD TOLERANCE±0.05)



Material:
Standard:PA6T/LCP
Contact: Brass
Plating:Au Or Sn Over 50u" Ni
Insulator:Polyester,UL94V-0

Electrical Characteristics:
Rated Current: 1.0AMP
Contact Resistance: 20mΩ Max
Withstand Voltage: 500V AC/DC
Insulator Resistance: 1000MΩ Min

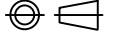
Mechanical
Operating Temperature:-40℃~+105℃
Max.Processing Temp:230℃ For 30-60
Seconds (260℃ For 10 Seconds)

Order Information:
RHTAY08D-4.6-2-XX-S-B

Female Header
Series 08D:1.27mm
Plastics Height:4.6mm
Per Row:Double Layer
Pin: No.of Pins (02~80)
Type:Straight Pin
Material: B=PA6T C=LCP

 NINGBO RHT ELECTRONIC CO.,LTD

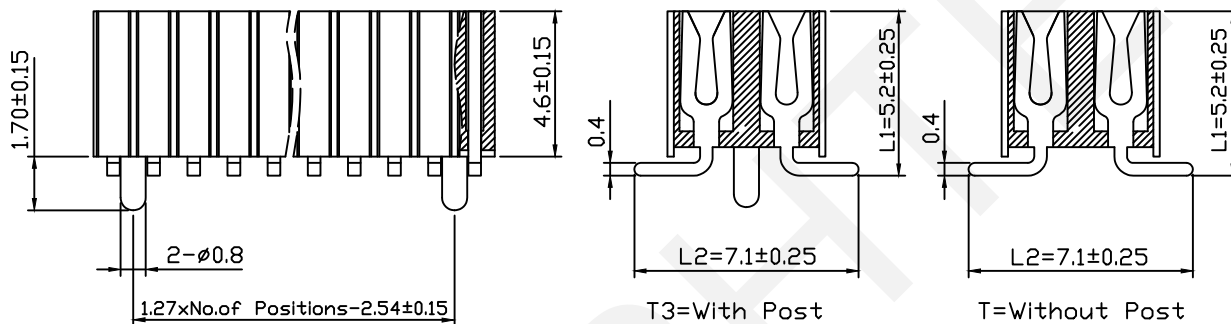
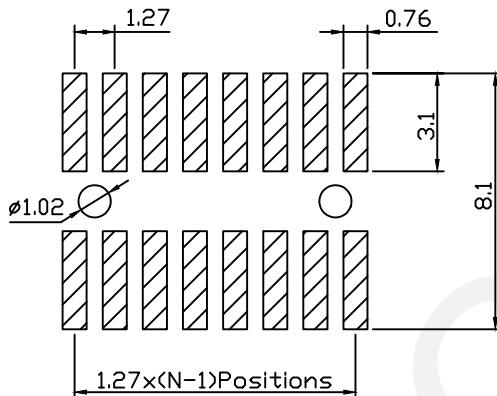
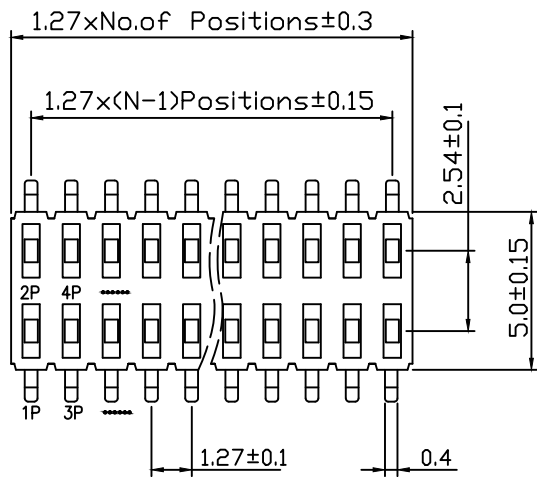
UNITS:mm	SHEET SIZE: A4	SCALE:---	DRWN BY PAN
0~3	3~18	18~50	50~120
±0.12	±0.15	±0.3	±0.5
			CHK'D BY FENG
			APPR BY ZHAN

1.27x2.54x4.6mm Female Header
Double Layer, Straight Pin, 2xN Pin
THIRD ANGLE PROJECTION
 RHTAY08D-4.6-2-XX-S-B

RoHS Compliance

Recommended P.C.B Layout (Top Side)
(PCB BOARD TOLERANCE ±0.05)

Material:
Standard: PA6T/LCP
Contact: Phosphor Bronze
Plating: Au Or Sn Over Ni
Insulator: Polyester, UL94V-0
Electrical Characteristics:
Rated Current: 1.0AMP
Contact Resistance: 20mΩ Max
Withstand Voltage: 500V AC/DC
Insulator Resistance: 1000MΩ Min
Mechanical
Operating Temperature: -40°C ~ +105°C
Max. Processing Temp: 230°C For 30-60 Seconds (260°C For 10 Seconds)



Dimension Antitheses List (mm)			
ITEM	L1	L2	Plastic Height
Standard	5.20	7.10	4.60
Nonstandard	---	---	---

Order Information:
RHTAY08D-4.6-2-XX-T-L1xL2-B-R

Female Header
Series 08D: 1.27mm
Plastics Height: 4.6mm
Per Row: Double Layer
Pin: No. Of Pins (02~80)
SMT: T T=Without Post
T3=With Post
Size: L1xL2
Material: B=PA6T C=LCP
Packing:
A=Tray T=Tube M=Reel+Mylar
P=Tube+Cap R=Reel+Cap

RHTECP NINGBO RHT ELECTRONIC CO.,LTD

UNITS:mm SHEET SIZE: A4 SCALE: --- DRWN BY PAN
0~3 3~18 18~50 50~120 CHK'D BY FENG
±0.12 ±0.15 ±0.3 ±0.5 APPR BY ZHAN

1.27x2.54x4.6mm Female Header
Double Layer, SMT Pin, 2xN Pin
THIRD ANGLE PROJECTION
RHTAY08D-4.6-2-XX-T-L1xL2-B-R