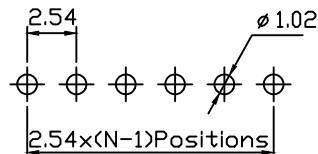
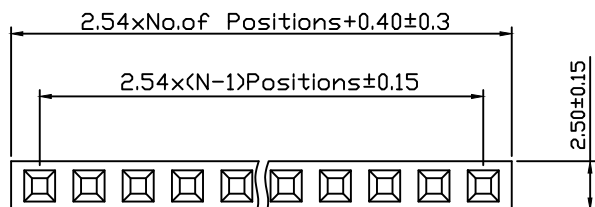
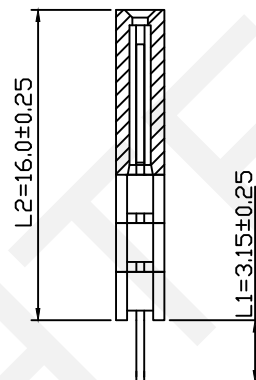
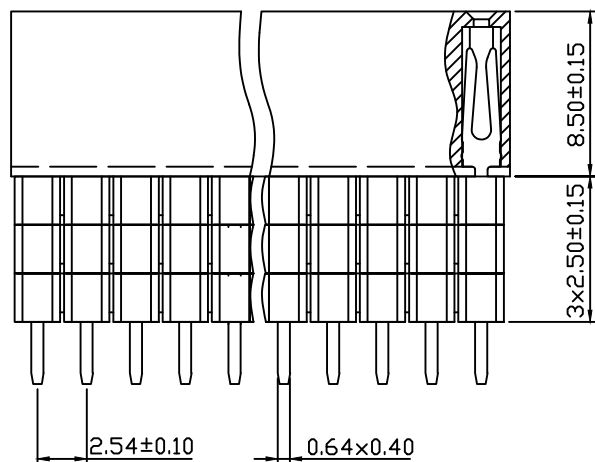


RoHS Compliance



Recommended P.C.B Layout(Top Side)
(PCB BOARD TOLERANCE±0.05)



Material:
Standard:PBT/PA6T
Contact: Brass
Plating: Au Or Sn Over 50u" Ni
Insulator: Polyester, UL94V-0

Electrical Characteristics:
Rated Current: 3.0AMP
Contact Resistance: 20mΩ Max
Withstand Voltage: 1000V AC/DC
Insulator Resistance: 1000MΩ Min

Mechanical
Operating Temperature: -40°C~+105°C
Max. Processing Temp: 180°C For 30-60
Seconds (200°C For 10 Seconds)

Order Information:
RHTAY08X-1-XX-S-L1xL2-A

Pin Header Series
08X:2.54mm
Per Row: Single Layer
Pin: No. of Pins (1x40)
Type: Straight Pin
Size: L1xL2
Material: A=PBT B=PA6T C=LCP

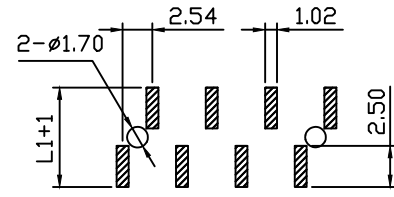
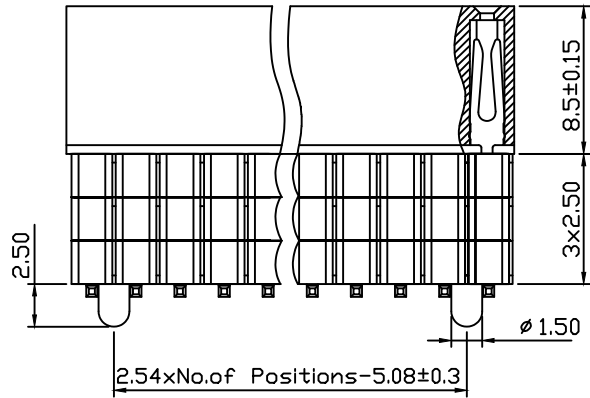
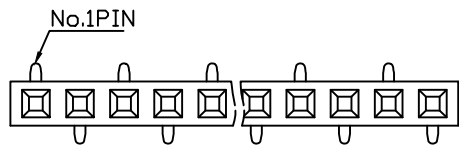
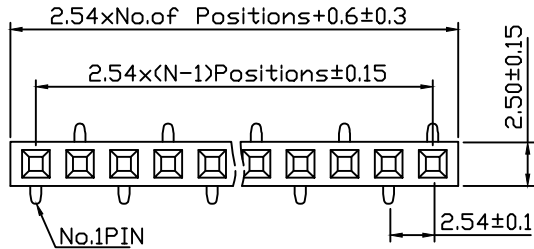
Dimension Antitheses List (mm)			
ITEM	L1	L2	Plastic Height
Standard	3.15	16.0	8.50
Standard	3.15	13.5	8.50
Standard	3.15	11.0	8.50

NINGBO RHT ELECTRONIC CO.,LTD

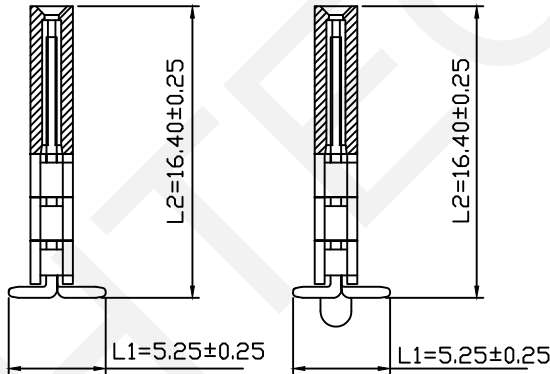
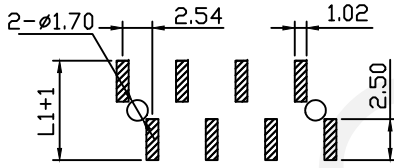
UNITS:mm	SHEET SIZE: A4	SCALE:---	DRWN BY PAN
0~3	3~18	18~50	50~120
±0.12	±0.15	±0.3	±0.5
			CHK'D BY FENG
			APPR BY ZHAN

2.54x8.5mm Female Header
Single Layer, Straight Pin, 1xN Pin
THIRD ANGLE PROJECTION
 RHTAY08X-1-XX-S-L1xL2-A

RoHS Compliance



Recommended P.C.B Hole Layout



Dimension Antitheses List (mm)			
ITEM	L1	L2	Plastic Height
Standard	5.25	11.4	8.50
Standard	5.25	13.9	8.50
Standard	5.25	16.4	8.50

Material:
 Standard:PA6T
 Contact:Brass
 Plating:Au Or Sn Over Ni
 Insulator:Polyester,UL94V-0
 Electrical Characteristics:
 Rated Current: 3.0AMP
 Contact Resistance: 20mΩ Max
 Withstand Voltage: 1000V AC/DC
 Insulator Resistance: 1000MΩ Min
 Mechanical
 Operating Temperature:-40℃~+105℃
 Max.Processing Temp180℃ For 30-60
 Seconds (200℃ For 10 Seconds)

Order Information:
 RHTAY08X-1-XX-T1-L1xL2-N-B-R

Female Header Series
 08X:2.54mm
 Per Row:Single Layer
 Pin: No.of Pins (1x40)
 SMT Type:T1 Type,T2 Type
 Size:L1xL2
 Post:W=With PostN=W/0 Post
 Material:A=PBT B=PA6T C=LCP
 Packing:
 A=Tray T=Tube M=Reel+Mylar
 P=Tube+Cap R=Reel+Cap

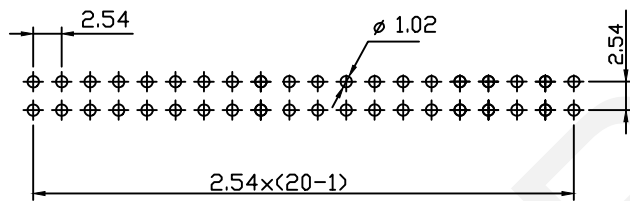
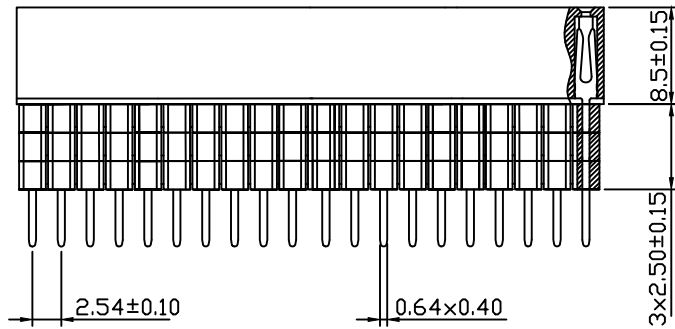
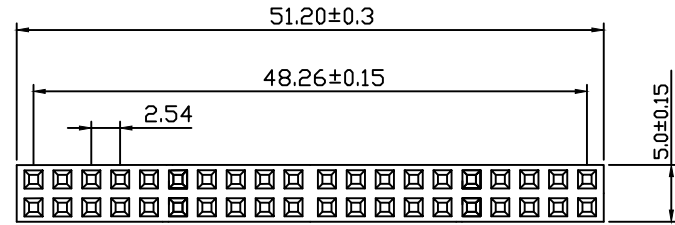
NINGBO RHT ELECTRONIC CO.,LTD

UNITS:mm SHEET SIZE: A4 SCALE:---
 DRWN BY PAN
 0~3 3~18 18~50 50~120
 CHK'D BY FENG
 ±0.12 ±0.15 ±0.3 ±0.5
 APPR BY ZHAN

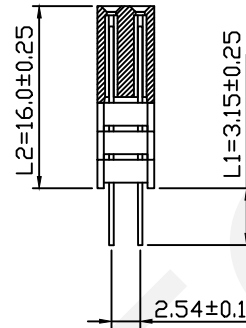
2.54x8.5mm Female Header
 Double Layer,SMT Pin, 2xN Pin
 THIRD ANGLE PROJECTION

 RHTAY08X-1-XX-T1-L1xL2-N-B-R

RoHS Compliance



Recommended P.C.B Layout (Top Side)
(PCB BOARD TOLERANCE ±0.05)



Dimension Antitheses List (mm)

ITEM	L1	L2	Plastic Height
Standard	3.15	16.0	8.50
Standard	3.15	13.5	8.50
Standard	3.15	11.0	8.50

Material:
Standard: PBT/PA6T
Contact: Brass
Plating: Au Or Sn Over Ni
Insulator: Polyester, UL94V-0

Electrical Characteristics:

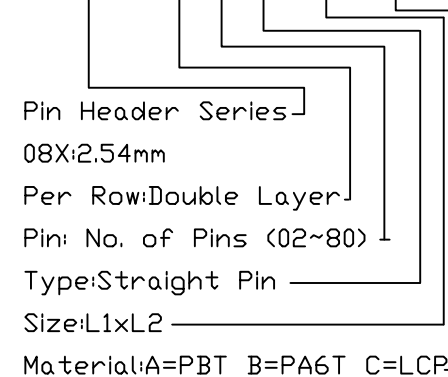
Rated Current: 3.0AMP
Contact Resistance: 20mΩ Max
Withstand Voltage: 1000V AC/DC
Insulator Resistance: 1000MΩ Min

Mechanical

Operating Temperature: -40°C ~ +105°C
Max. Processing Temp: 180°C For 30-60 Seconds (200°C For 10 Seconds)

Order Information:

RHTAY08X-2-XX-S-L1xL2-A

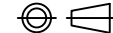


RHTECP NINGBO RHT ELECTRONIC CO.,LTD

UNITS:mm	SHEET SIZE: A4	SCALE:---	DRWN BY PAN
0~3	3~18	18~50	50~120
±0.12	±0.15	±0.3	±0.5
			CHK'D BY FENG
			APPR BY ZHAN

2.54x8.5mm Female Header
Double Layer, Straight Pin, 2xN Pin

THIRD ANGLE PROJECTION

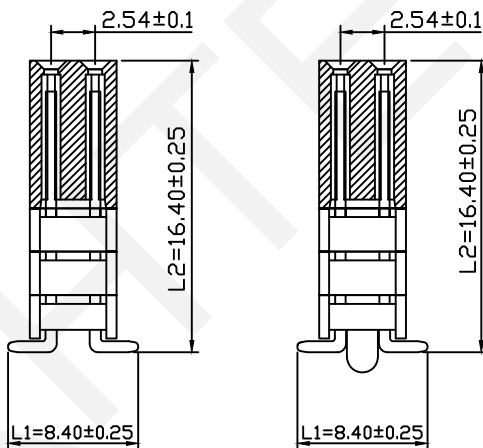
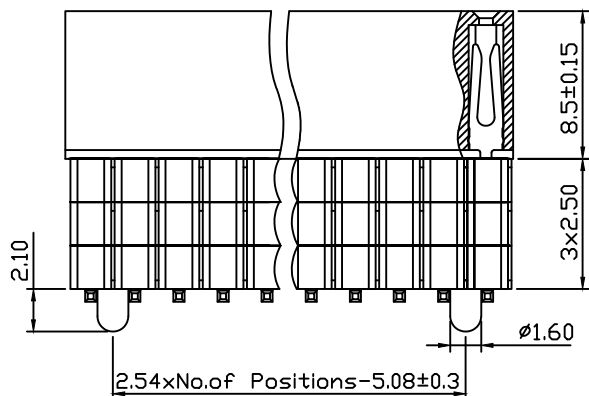
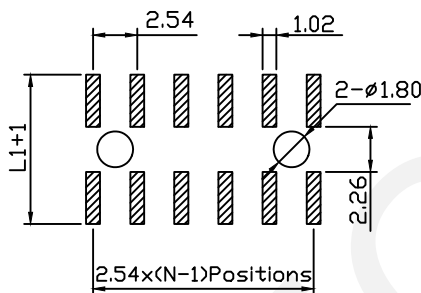
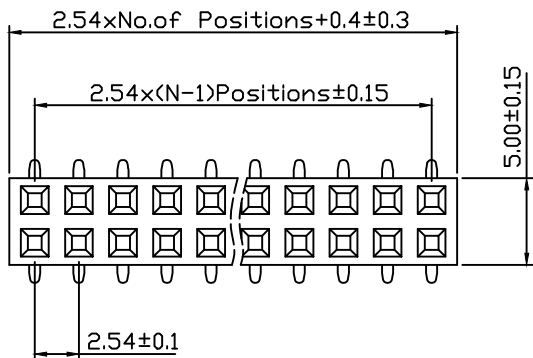


RHTAY08X-1-XX-S-L1xL2-A

RoHS Compliance

Material:
 Standard:PA6T
 Contact:Brass
 Plating:Au Or Sn Over Ni
 Insulator:Polyester,UL94V-0
 Electrical Characteristics:
 Rated Current: 3.0AMP
 Contact Resistance: 20mΩ Max
 Withstand Voltage: 1000V AC/DC
 Insulator Resistance: 1000MΩ Min
 Mechanical
 Operating Temperature:-40℃~+105℃
 Max.Processing Temp:180℃ For 30-60
 Seconds (200℃ For 10 Seconds)

Recommended P.C.B Layout(Top Side)
 (PCB BOARD TOLERANCE±0.05)



T=Without Post

T3=With Post

Order Information:
 RHTAY08X-2-XX-T-L1xL2-B-R

Female Header Series
 08X:2.54mm
 Per Row:Double Layer
 Pin: No.of Pins (02~80)
 SMT Pin:
 T=Without Post T3=With Post
 Size:L1xL2
 Material:A=PBT B=PA6T C=LCP
 Packing:
 A=Tray T=Tube M=Reel+Mylar
 P=Tube+Cap R=Reel+Cap

Dimension Antitheses List (mm)

ITEM	L1	L2	Plastic Height
Standard	8.40	11.4	8.50
Standard	8.40	13.9	8.50
Standard	8.40	16.4	8.50

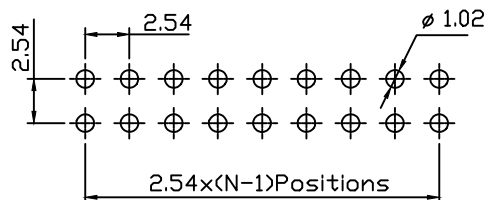
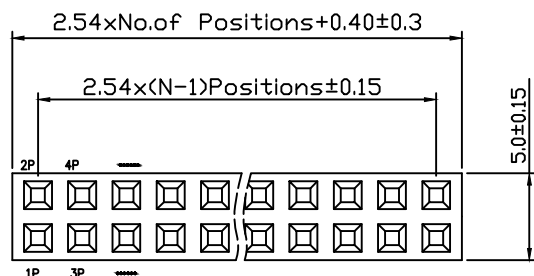
UNITS:mm	SHEET SIZE: A4	SCALE:---	DRWN BY PAN
0~3	3~18	18~50	50~120
±0.12	±0.15	±0.3	±0.5
			CHK'D BY FENG
			APPR BY ZHAN

2.54x8.5mm Female Header Double Layer,SMT Pin, 2xN Pin	
THIRD ANGLE PROJECTION 	RHTAY08X-2-XX-T-L1xL2-B-R

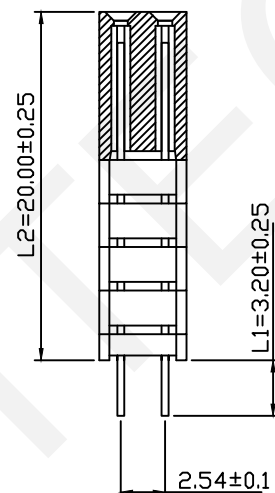
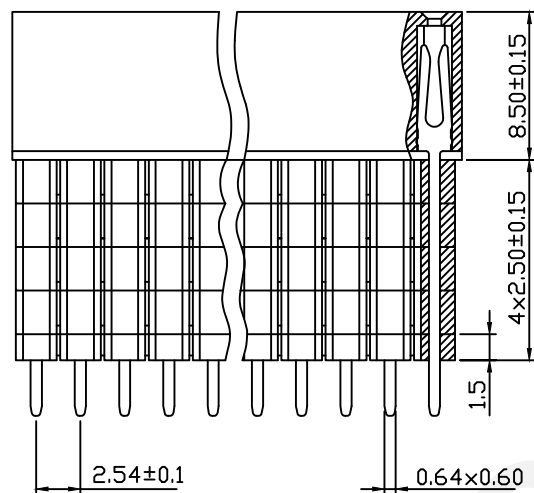


NINGBO RHT ELECTRONIC CO.,LTD

RoHS Compliance



Recommended P.C.B Layout (Top Side)
(PCB BOARD TOLERANCE±0.05)



Dimension Antitheses List (mm)			
ITEM	L1	L2	Plastic Height
Non Standard	3.20	20.0	8.50

Material:
Standard:PBT/PA6T
Contact:Brass
Plating:Au Or Sn Over Ni
Insulator:Polyester,UL94V-0

Electrical Characteristics:
Rated Current: 3.0AMP
Contact Resistance: 20mΩ Max
Withstand Voltage: 1000V AC/DC
Insulator Resistance: 1000MΩ Min

Mechanical
Operating Temperature:-40℃~+105℃
Max.Processing Temp:180℃ For 30-60
Seconds (200℃ For 10 Seconds)

Order Information:
RHTAY08X-2-XX-S-3.2x20-A

Female Header Series
08X:2.54mm
Per Row:Double Layer
Pin: No.of Pins (02~80)
Type: Straight Pin
Size:L1xL2
Material:A=PBT B=PA6T C=LCP

NINGBO RHT ELECTRONIC CO.,LTD

UNITS:mm	SHEET SIZE: A4			SCALE:---	DRWN BY PAN
0~3	3~18	18~50	50~120	CHK'D BY FENG	
±0.12	±0.15	±0.3	±0.5	APPR BY ZHAN	

2.54x8.5mm Female Header
Double Layer, Straight Pin, 2xN Pin
THIRD ANGLE PROJECTION
 RHTAY08X-2-XX-S-3.2x20-A