



QUARTZ CRYSTAL RESONATOR

PARAMETERS RHTLYL010

RJ45 with Transformer

RHTLYL010 100Base 1x1 Tab-down RJ45

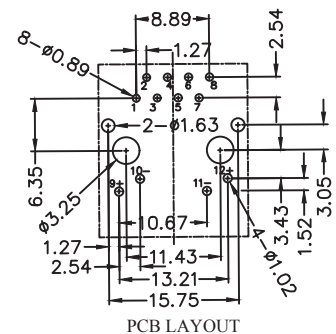
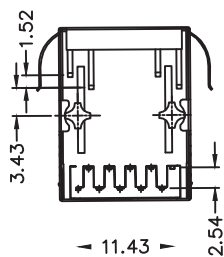
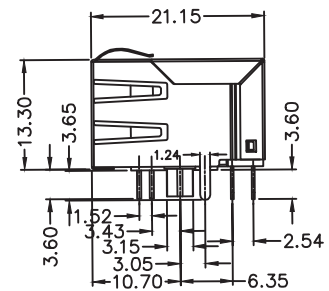
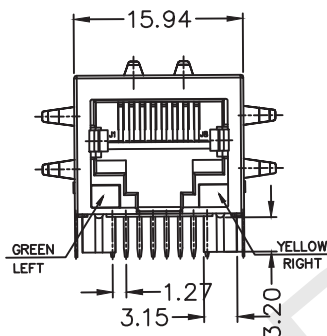
Electrical Specifications:

Electrical:

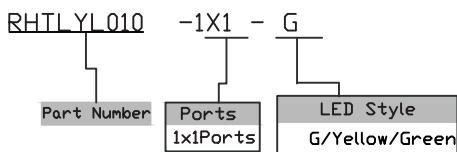
- 1.Voltage rating:125V AC.
- 2.Insulation resistance: 500 megohms MIN @500VDC.
- 3.Contact resistance: 50 milliohms Max.
- 4.T/R: TX=1CT:1CT(±2%) & RX=1CT:1CT(±2%).
- 5.DCL:350uH Min.at 100KHz 100mV 8mA DC.
- 6.Insertion Loss:-1.0 dB Max 1MHz to 100MHz.
- 7.Return loss:-16dB Min From 1MHz to 30MHz; -14dB Min From 30MHz to 60MHz. -10dB Min From 60MHz to 80MHz.
- 8.Cross talk: -40dB Min From 1MHz-30MHz; -35dB Min From 30MHz-60MHz; -30dB Min From 60MHz-100MHz;
- 9.CMR: -35dB Min From 1MHz-100MHz;
- 10.Hi-Pot: 1500V AC 6S 1mA

Specification LED

Standard LED Color	LED Wavelength	Forward (V MAX)	Typical (V TYP)	Luminous Intensity
Green	560-580 nm	2.5V	2.1-2.2V	9-25 MCD
Yellow	580-610 nm	2.5V	2.1-2.2V	9-30 MCD



ORDER INFORMATION





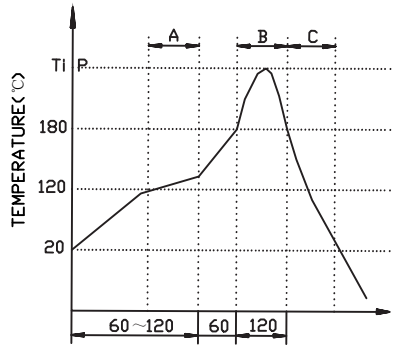
QUARTZ CRYSTAL RESONATOR

PARAMETERS RHTLYL010

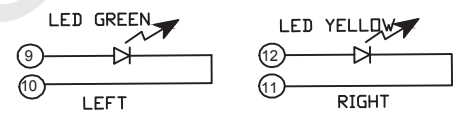
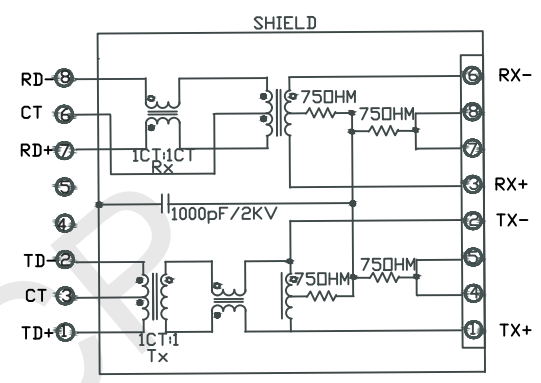
RJ45 with Transformer

RHTLYL010 100Base 1x1 Tab-down RJ45

PROFILE OF WAVESOLDER



A.Preheating B.Soldering C.Gradual Cooling
Tip temperature:260±5°C.
Tip temperature time:5Sec Max.
Tip melting point of Sn96.5/Ag3/Cu0.5:217°C.
After the wave solder,the plastic column of product under the pcb will have a slight plastic melting situation.



Material:

- Housing :PBT+30%GF,UL94V-0,Black.
Plastic bracket :PBT+30%GF,UL94V-0,Black.
Shell: C2680R-H,T=0.20mm,Nickel plated in all area.
Contact terminal:Phosphor bronze C5210R-EH,T=0.35mm, Gold plated 6u' in the mating area.
Solder terminal:Brass,C2680-H,T=0.35mm,Tin plated 80u'Min. at solder Tines.

Mechanical:

- Durability :750 cycles Min.
Mating force :22N Max.
Operating temperature:-40°C~+85°C.

ORDER INFORMATION

