



QUARTZ CRYSTAL RESONATOR

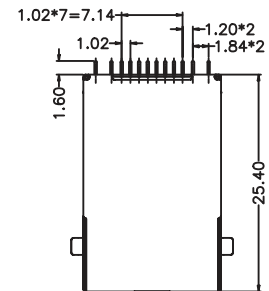
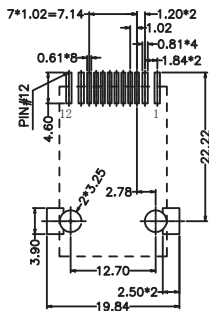
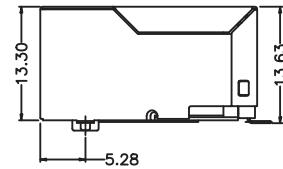
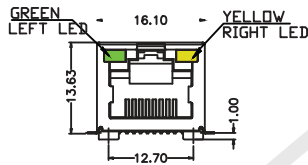
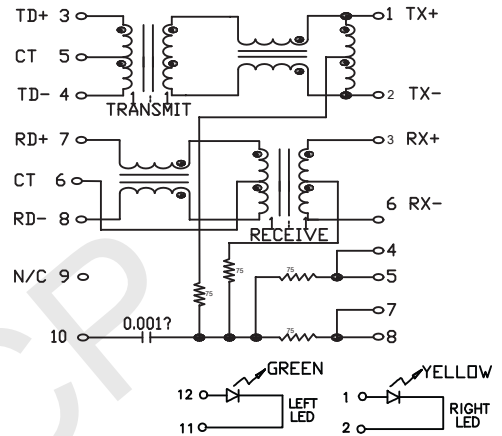
PARAMETERS RHTLYL130

RJ45 with Transformer

RHTLYL130 100Base 1x1 Tab-down RJ45

Electrical Specifications:

- Insertion Loss: 1-100MHZ -1.0dB MAX
- Return Loss: 1-30MHZ -16.0dB MIN
- 30-60MHZ -14.0dB MIN
- 60-80MHZ -10.0dB MIN
- Cross Talk: 1-30MHZ -40.0dB MIN
- 30-60MHZ -35.0dB MIN
- 60-80MHZ -30.0dB MIN
- CMR: 1M-100MHZ -35dB MIN
- Hi-Pot:1500v AC 6S 1mA
- QCL:350uH MIN @ 100KHZ 100mV 8mA DC
- Contacts: 0.35mm thick phos bronze plated with 6u' gold in contact area Turn Ratio: 1CT:1CT+/-3%
- Housing Material:LCP Black
- Operating temperature range: 0 --+70



SuggestedPCBLayou(Componentsideview)

ORDER INFORMATION

RHTLYL130 -1X1 - G/Y

