

Material

Housing:LCP UL94V-0

Lock:LCP,UL94V-0

Plug Spring:Phosphor Bronze,Gold/Tin

Soldering:Phosphor Bronze,Gold/Tin

Electrical

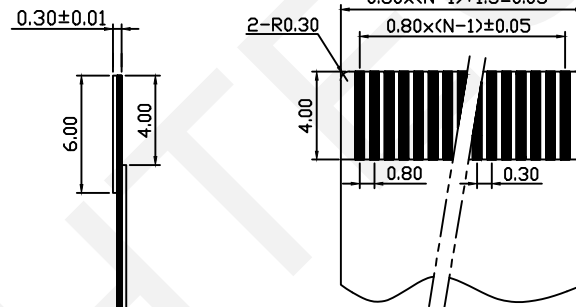
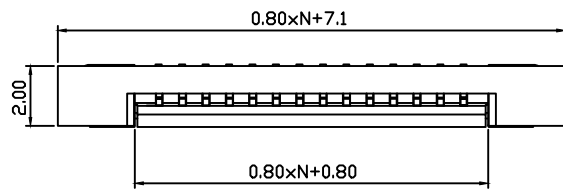
Voltage Rating: 50 V

Current Rating: 0.4 A

Withstanding Voltage:200 V

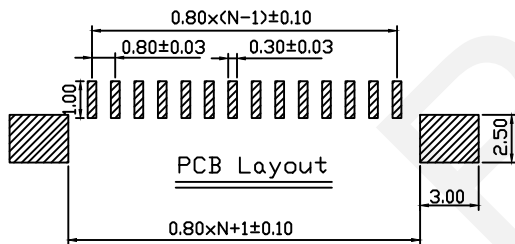
Insulation Resistance: 500MΩ.Min.

Contact Resistance: 20mΩ.Max.



Mechanical

Temp Range:-25℃~+85℃



Recommended FPC Dimension

Order Information

RHTAY41D-XX-T-U-R

Series No.]

No.of Pins]

(04~40 Pins)

T-SMT Pin]

U-Upper Contact]

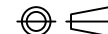
Pack: R-Reel]

RHTECP NINGBO RHT ELECTRONIC CO.,LTD

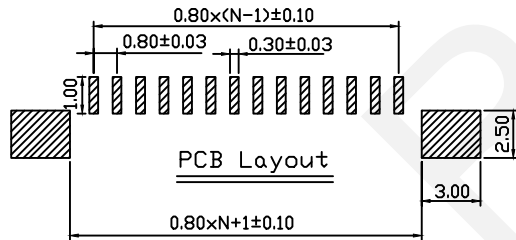
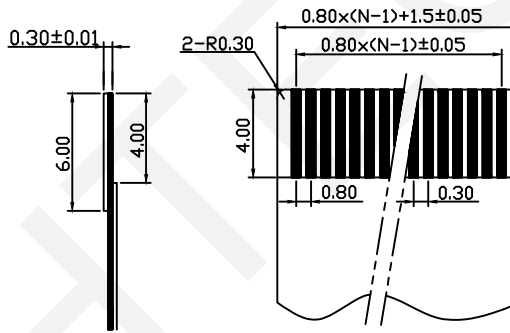
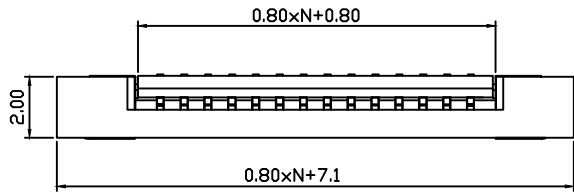
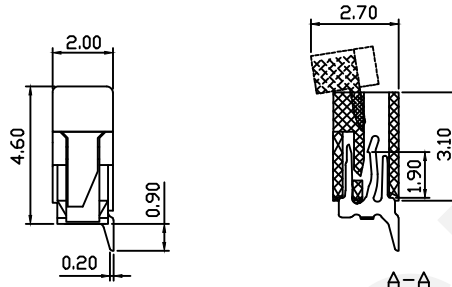
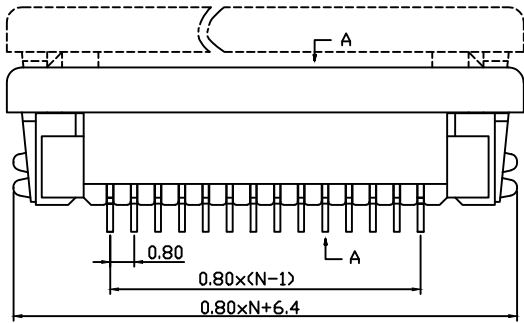
UNITS:mm	SHEET SIZE: A4			SCALE:---	DRWN BY PAN
0~3	3~18	18~50	50~120	CHK'D BY FENG	
±0.12	±0.15	±0.3	±0.5	APPR BY ZHAN	

CONN FFC 0.80mm,SMD,
Horizontal, Upper Contact ,With ZIF

THIRD ANGLE PROJECTION



RHTAY41D-XX-T-U-R



Material

Housing:LCP UL94V-0

Lock:LCP,UL94V-0

Plug Spring:Phosphor Bronze,Gold/Tin

Soldering:Phosphor Bronze,Gold/Tin

Electrical

Voltage Rating: 50 V

Current Rating: 0.4 A

Withstanding Voltage:200 V

Insulation Resistance: 500MΩ.Min.

Contact Resistance: 20mΩ.Max.

Mechanical

Temp Range:-25℃~+85℃

Order Information

RHTAY41D-XX-T-L-R

Series No.]

No.of Pins]

(04~40 Pins)

T-SMT Pin]

L-Lower Contact]

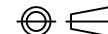
Pack: R-Reel]

RHTECP NINGBO RHT ELECTRONIC CO.,LTD

UNITS:mm	SHEET SIZE: A4				SCALE:---	DRWN BY PAN
0~3	3~18	18~50	50~120	CHK'D BY FENG		
±0.12	±0.15	±0.3	±0.5	APPR BY ZHAN		

CONN FFC 0.80mm,SMD,
Horizontal, Lower Contact ,With ZIF

THIRD ANGLE PROJECTION



RHTAY41D-XX-T-L-R