



QUARTZ CRYSTAL RESONATOR

PARAMETERS

RHTLYL002B

Ethernet Connectors

Modular Jack with Transformer

RHTLYL002B 10/100 BASE 1x1Tab-Down RJ45

Connect Material:

Housing:Thermoplastic,PBT,UL 94V-0,Black

Contact/Shield:Cooper alloy

Shield Plating:Nickel

Contact Plating>Selective gold 6u' Min

ELECTRICAL SPECIFICATIONS @ 25oC unless otherwise noted:

1.Turn Ratio(+/-2%):

TX=1CT :1CT RX=1CT:1CT

2.Inductance OCL:

350uH Min @100KHz/0.1V ,8mA DC Bias

3.Insertion Loss:

-1.0dB Max @1.0-100MHz

4.Return Loss:

-20dB Min @1-10MHz

-16dB Min @10-30MHz

-12dB Min @30-60MHz

-10dB Min @60-100MHz

5.Cross talk:

-40dB Min @1-30MHz

-35dB Min @30-60MHz

-30dB Min @60-100MHz

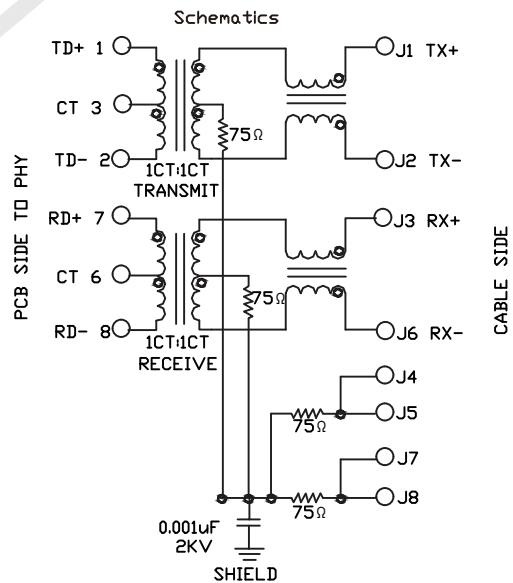
6.Common Mode Rejection:

-30dB Min @1-50MHz

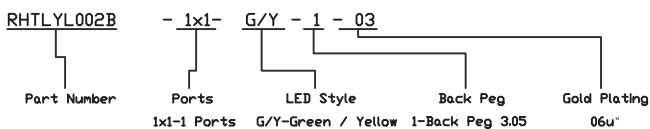
-20dB Min @50-150MHz

7.HIPOT TEST :1500V AC 1mA 6S

8.OPERA TING TEMPERA TURE RANGE:0-70°C



ORDER INFORMATION





QUARTZ CRYSTAL RESONATOR

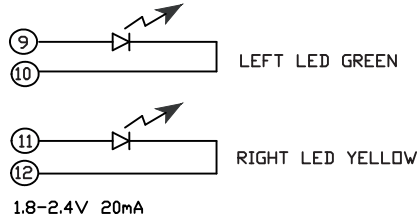
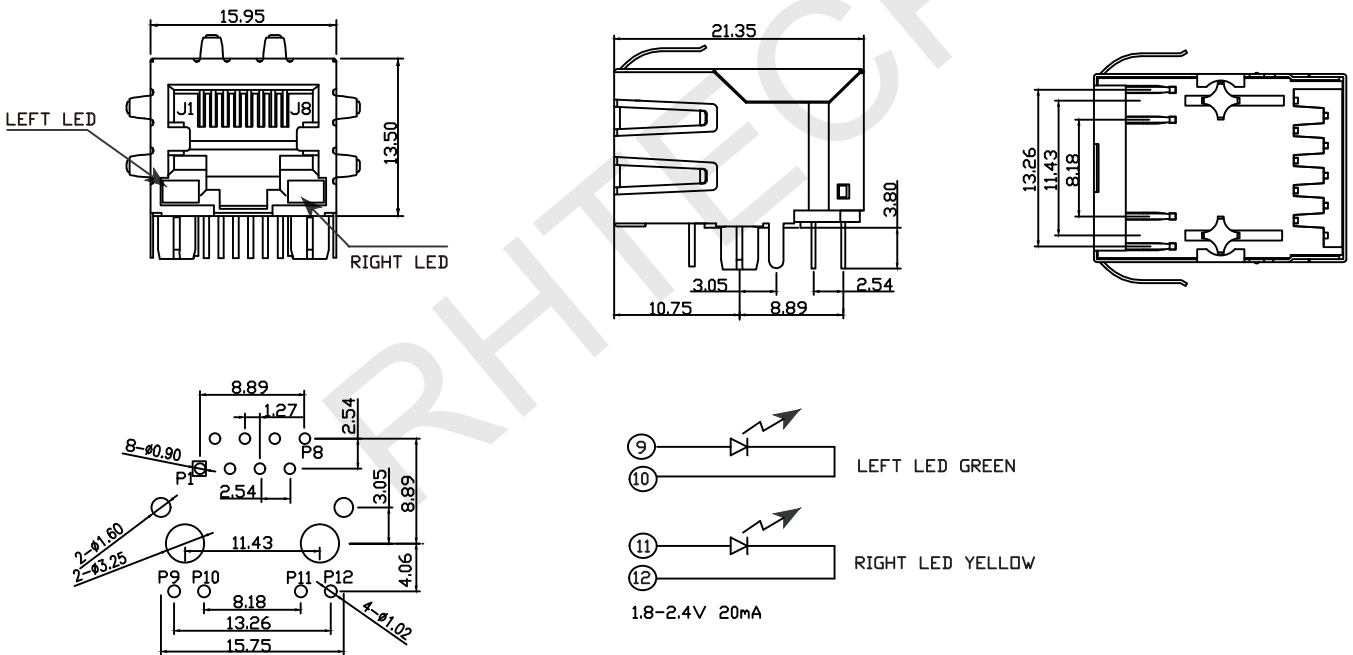
PARAMETERS RHTLYL002B

Ethernet Connectors
 Modular Jack with Transformer

RHTLYL002B 10/100 BASE 1x1Tab-Down RJ45

Connect Material:
 Housing:Thermoplastic,PBT,UL 94V-0,Black
 Contact/Shield:Cooper alloy
 Shield Plating:Nickel
 Contact Plating>Selective gold 6u" Min

Mechanical



P.C.B RECOMMENDED HOLE LAYOUT SEEN FROM COMPONENT SIDE.
 ALL CENTERLINE DIMENSIONS ARE BASIC

ORDER INFORMATION

