

1 2 3 4 5 6 7 8 9

A

A

B

B

C

C

D

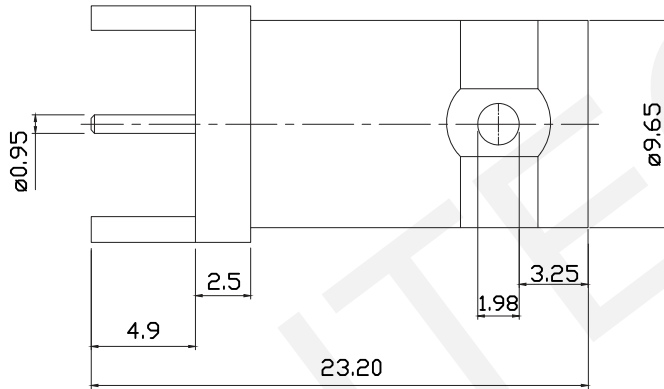
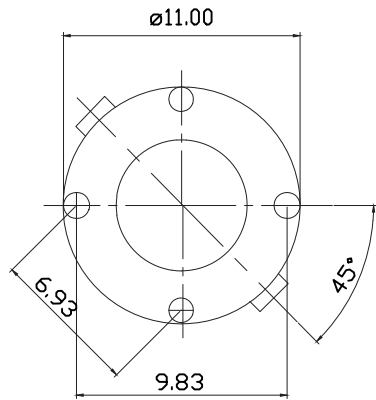
D

E

E

F

F



Electrical Specifications

Impedance: 50Ω nominal

Frequency Range: 0-4 GHz with low reflection

Voltage Rating: 500 volts peak

Dielectric Withstanding Voltage: 1,500 volts rms

VSWR :Straight connectors: 1.3 max 0-4 GHz

Right angle connectors: 1.35 max 0-4 GHz

Contact Resistance

Center contact: 1.5 mΩ

Outer contact: 0.2 mΩ

Insulation Resistance: 5,000 MΩ

Braid to Body: 0.1 milliohm

RF Leakage: -55 dB min at 3 GHz

Insertion Loss: 0.2 dB min at 3 GHz

Temperature Range: -65°C to + 165°C

Material

Male Contact: Brass

Female Contact: Beryllium copper or phosphorous bronze.
silver or gold-plated

Other Metal Parts: Brass, nickel finish

Insulator: TFE

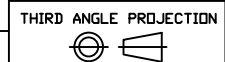
Crimp Ferrule: Copper/brass

NINGBO RHT ELECTRONIC CO.,LTD

UNITS:mm	SHEET SIZE: A4	SCALE:---	DRWN BY PAN
0~3	3~18	18~50	50~120
±0.12	±0.15	±0.3	±0.5

CHK'D BY FENG
APPR BY ZHAN

BNC Connector Series



RHTAY2NC001

1 2 3 4 5 6 7 8 9

G

G