

Proper Cable

Material
 Housing:LCP,UL94V-0
 Lock:LCP,UL94V-0
 Plug Spring:Phosphor bronze,Gold/Tin
 Solder:Brass,Gold/Tin

Electrical
 Voltage Rating: 50V
 Current Rating: 0.4A
 Withstanding Voltage:500V
 Insulation Resistance:500MΩ.Min.
 Contact Resistance:20mΩ.Max.

Mechanical
 Temp.Range:-25℃~+85℃

Order Information
 RHTAY40F-2.0-XX-T-U-R

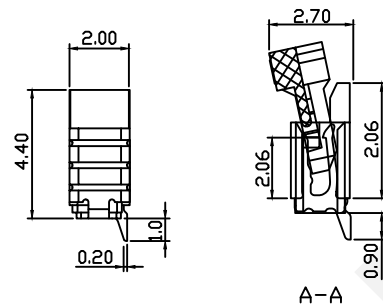
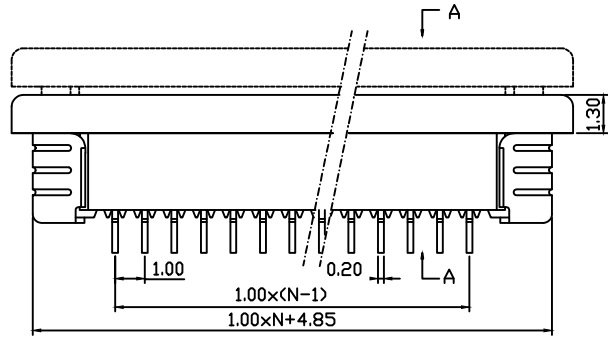
Series No. _____
 Height:2.0mm _____
 No.of pins _____
 (02~30 Pins)
 T-SMT Pin _____
 U-Upper Contact _____
 Pack: T-Tube R-Reel _____

RHTECP NINGBO RHT ELECTRONIC CO.,LTD

UNITS:mm	SHEET SIZE: A4			SCALE:---	DRWN BY PAN
0~3	3~18	18~50	50~120	CHK'D BY FENG	
±0.12	±0.15	±0.3	±0.5	APPR BY ZHAN	

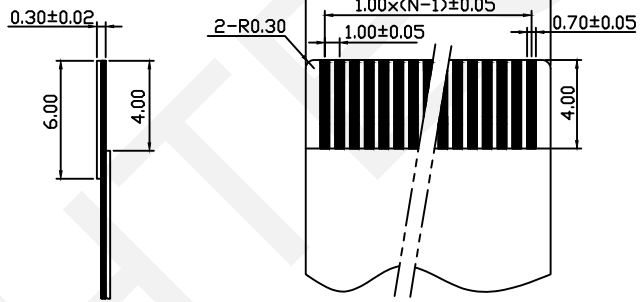
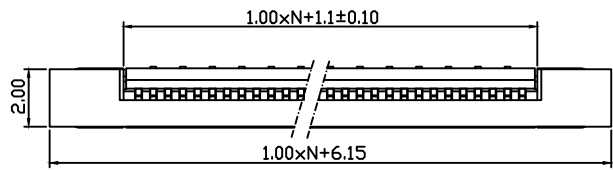
CONN FFC 1.00mm,SMD,
 Horizontal, Upper Contact ,With ZIF
 THIRD ANGLE PROJECTION

 RHTAY40F-2.0-XX-T-U-R

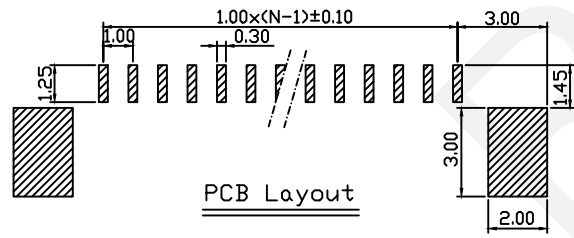


Material
 Housing:LCP UL94V-0
 Lock:LCP,UL94V-0
 Plug Spring:Phosphor Bronze,Gold/Tin
 Solder:Brass,Gold/Tin

Electrical
 Voltage Rating: 50V
 Current Rating: 0.4A
 Withstanding Voltage:500V
 Insulation Resistance:500MΩ.Min.
 Contact Resistance:20mΩ.Max.



Mechanical
 Temp.Range:-25℃~+85℃



Proper Cable

Order Information
RHTAY40G-2.0-XX-T-L-R

Series No. }
 Height:2.0mm }
 No.of pins }
 (02~30 Pins)
 T-SMT Pin }
 U-Upper Contact }
 Pack: T-Tube R-Reel }

RHTECP NINGBO RHT ELECTRONIC CO.,LTD

UNITS:mm	SHEET SIZE: A4			SCALE:---	DRWN BY PAN
0~3	3~18	18~50	50~120	CHK'D BY FENG	
±0.12	±0.15	±0.3	±0.5	APPR BY ZHAN	

CONN FFC 1.00mm,SMD,
 Horizontal, Lower Contact ,With ZIF

THIRD ANGLE PROJECTION

RHTAY40G-2.0-XX-T-L-R