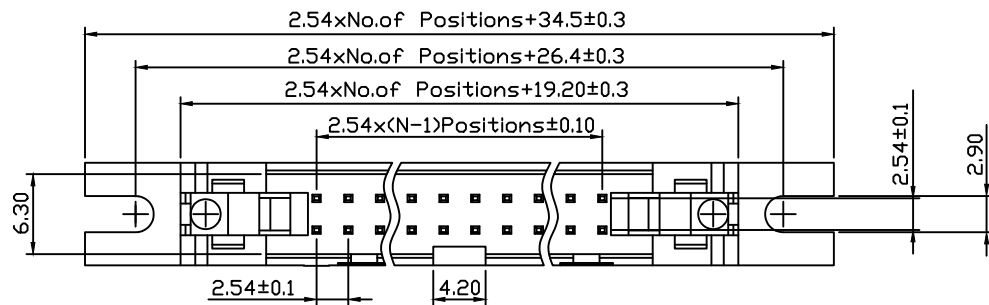
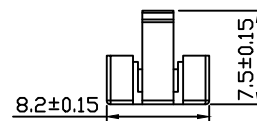
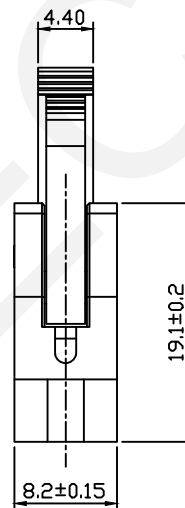
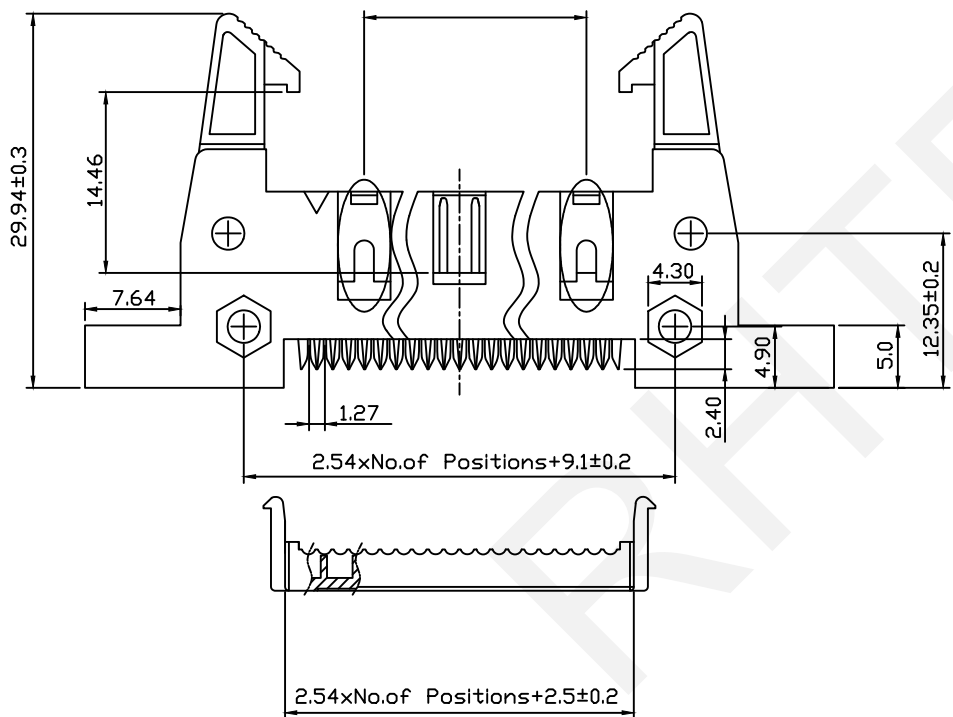


RoHS Compliance



Below 20 Pos Without The Central Hole



Material:

Housing: PBT, UL94V-0

Contact: Brass

Plating: Au or Sn Over Ni

Cable: 1.27mm(0.050") Pitch Flat Cable

Electrical Characteristics:

Rated Current: 3.0AMP

Withstand Voltage: 1000V AC/DC

Insulator Resistance: 1000M ohm Min

Contact Resistance: 20M ohm Max

Operating Temperature: -40°C~+105°C

Max.Processing Temp: 180°C For 30-60

Seconds (200°C For 10 Seconds)

Order Information:

RHTAY01Y-XX-G-E

IDC Connectors

2.54mm Pitch

XX-No.of 06~64pin

Color: B-Black G-Gray

Type:

E-With Ears N-Without Ears

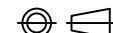


NINGBO RHT ELECTRONIC CO.,LTD

UNITS:mm	SHEET SIZE: A4	SCALE:---	DRWN BY PAN
0~3	3~18	18~50	50~120
±0.12	±0.15	±0.3	±0.5
			CHK'D BY FENG
			APPR BY ZHAN

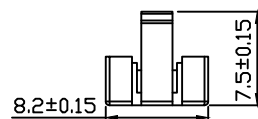
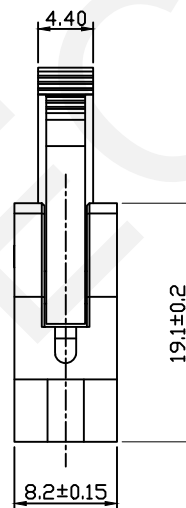
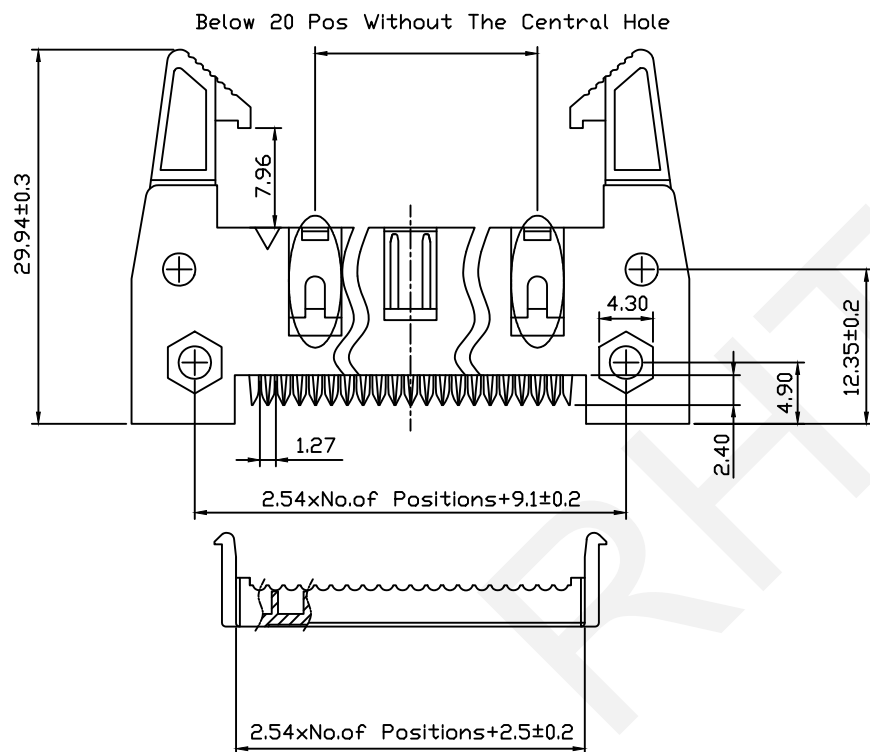
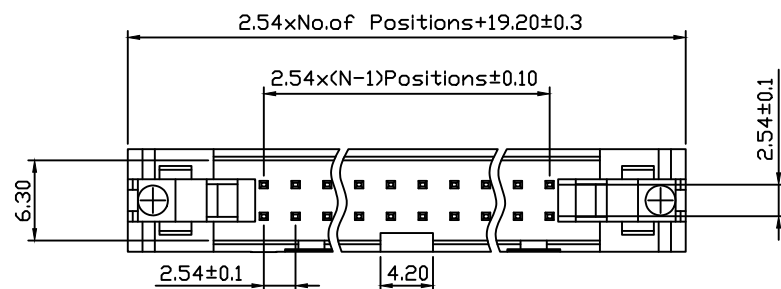
2.54mm Pitch IDC Box Header Connector

THIRD ANGLE PROJECTION



RHTAY01Y-XX-G-E

RoHS Compliance



Material:

Housing: PBT, UL94V-0

Contact: Brass

Plating: Au or Sn Over Ni

Cable: 1.27mm(0.050") Pitch Flat Cable

Electrical Characteristics:

Rated Current: 3.0AMP

Withstand Voltage: 1000V AC/DC

Insulator Resistance: 1000M ohm Min

Contact Resistance: 20M ohm Max

Operating Temperature: -40°C~+105°C

Max.Processing Temp: 180°C For 30-60 Seconds (200°C For 10 Seconds)

Order Information:

RHTAY01Y-XX-G-N

IDC Connectors

2.54mm Pitch

XX-No.of 06~64pin

Color: B-Black G-Gray

Type:

E-With Ears N-Without Ears



NINGBO RHT ELECTRONIC CO.,LTD

UNITS:mm	SHEET SIZE: A4	SCALE:---	DRWN BY PAN
0~3	3~18	18~50	50~120
±0.12	±0.15	±0.3	±0.5

CHK'D BY FENG	APPR BY ZHAN
---------------	--------------

2.54mm Pitch IDC	Box Header Connector
THIRD ANGLE PROJECTION	RHTAY01Y-XX-G-N

