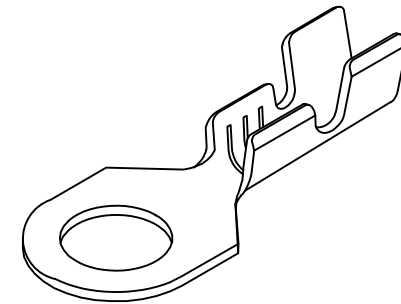
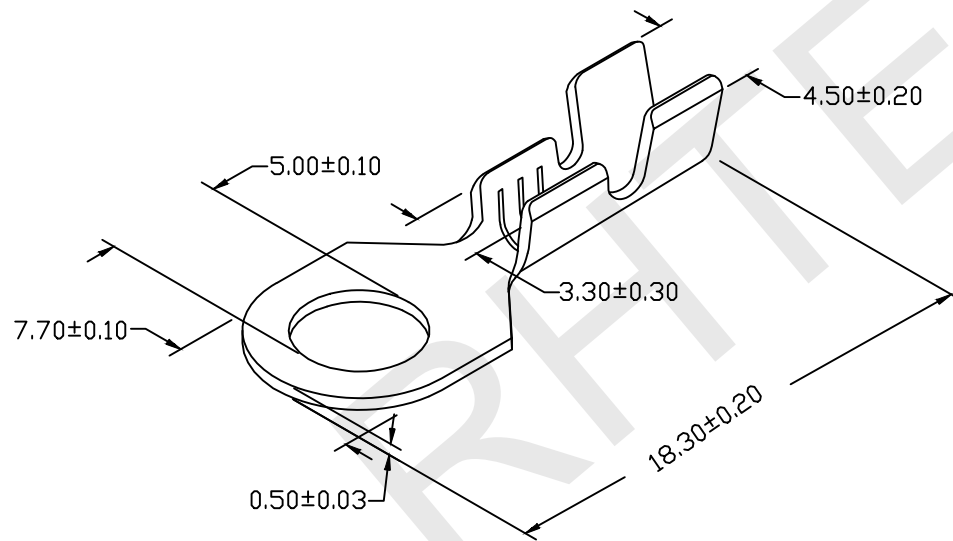


Note:

1. Appearance: Terminal cannot be corrected, scratched or oxidized
2. Material: Brass C2680, T=0.50mm, Tin plating
3. Q'TY: 5000PCS/REEL
4. Wire Range: 18~20AWG



**RHTECP** NINGBO RHT ELECTRONIC CO.,LTD

UNITS:mm	SHEET SIZE: A4			SCALE:---
0~3	3~18	18~50	50~120	
±0.12	±0.15	±0.3	±0.5	

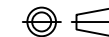
DRWN BY PAN

CHK'D BY FENG

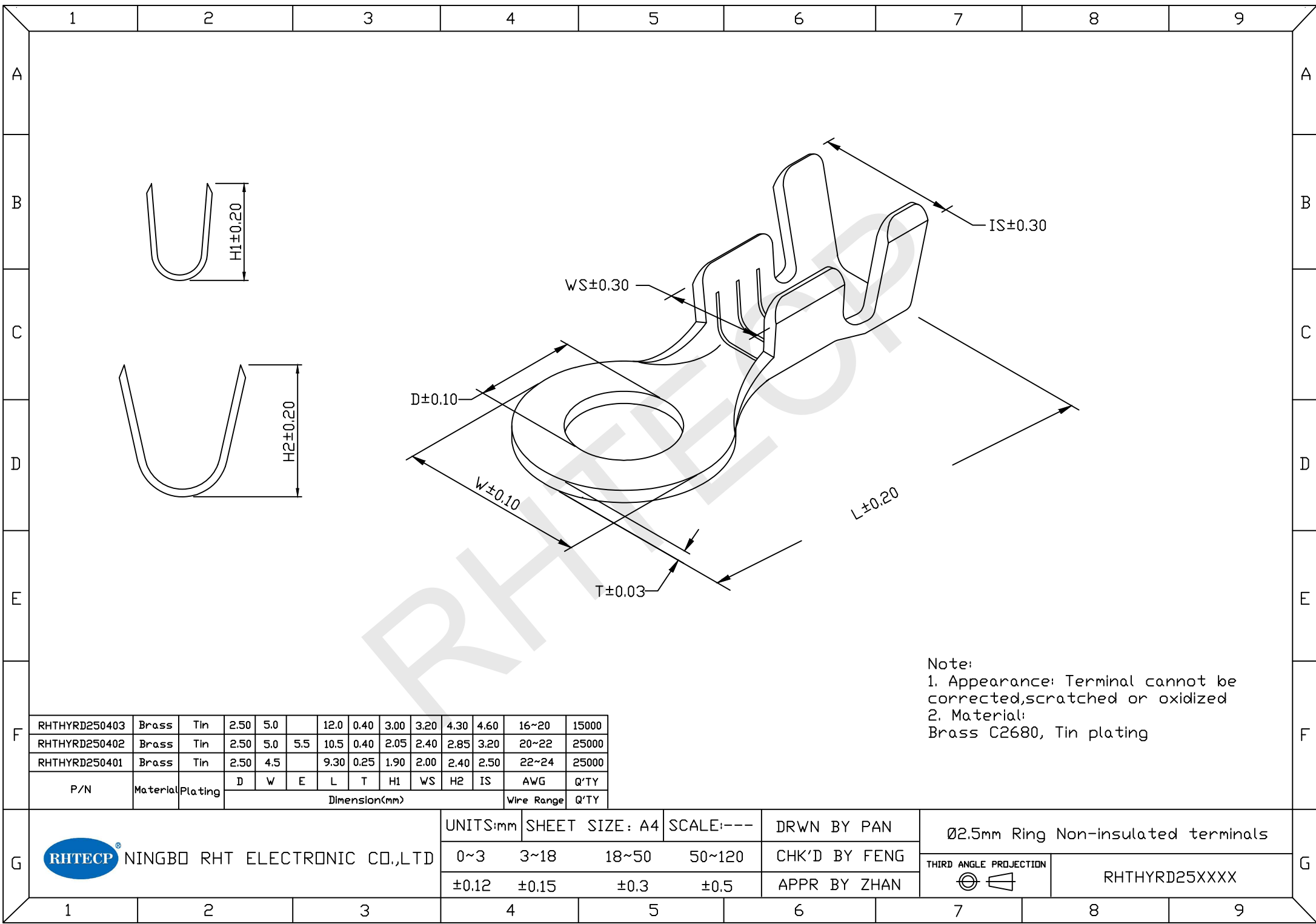
APPR BY ZHAN

Ø2.5mm Ring Non-insulated terminals

THIRD ANGLE PROJECTION



RHTHYRD200501



Note:  
 1. Appearance: Terminal cannot be corrected, scratched or oxidized  
 2. Material: Brass C2680, Tin plating

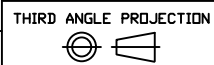
RHTHYRD250403	Brass	Tin	2.50	5.0		12.0	0.40	3.00	3.20	4.30	4.60	16~20	15000
RHTHYRD250402	Brass	Tin	2.50	5.0	5.5	10.5	0.40	2.05	2.40	2.85	3.20	20~22	25000
RHTHYRD250401	Brass	Tin	2.50	4.5		9.30	0.25	1.90	2.00	2.40	2.50	22~24	25000
P/N	Material	Plating	D	W	E	L	T	H1	WS	H2	IS	AWG	Q'TY
Dimension(mm)												Wire Range	Q'TY



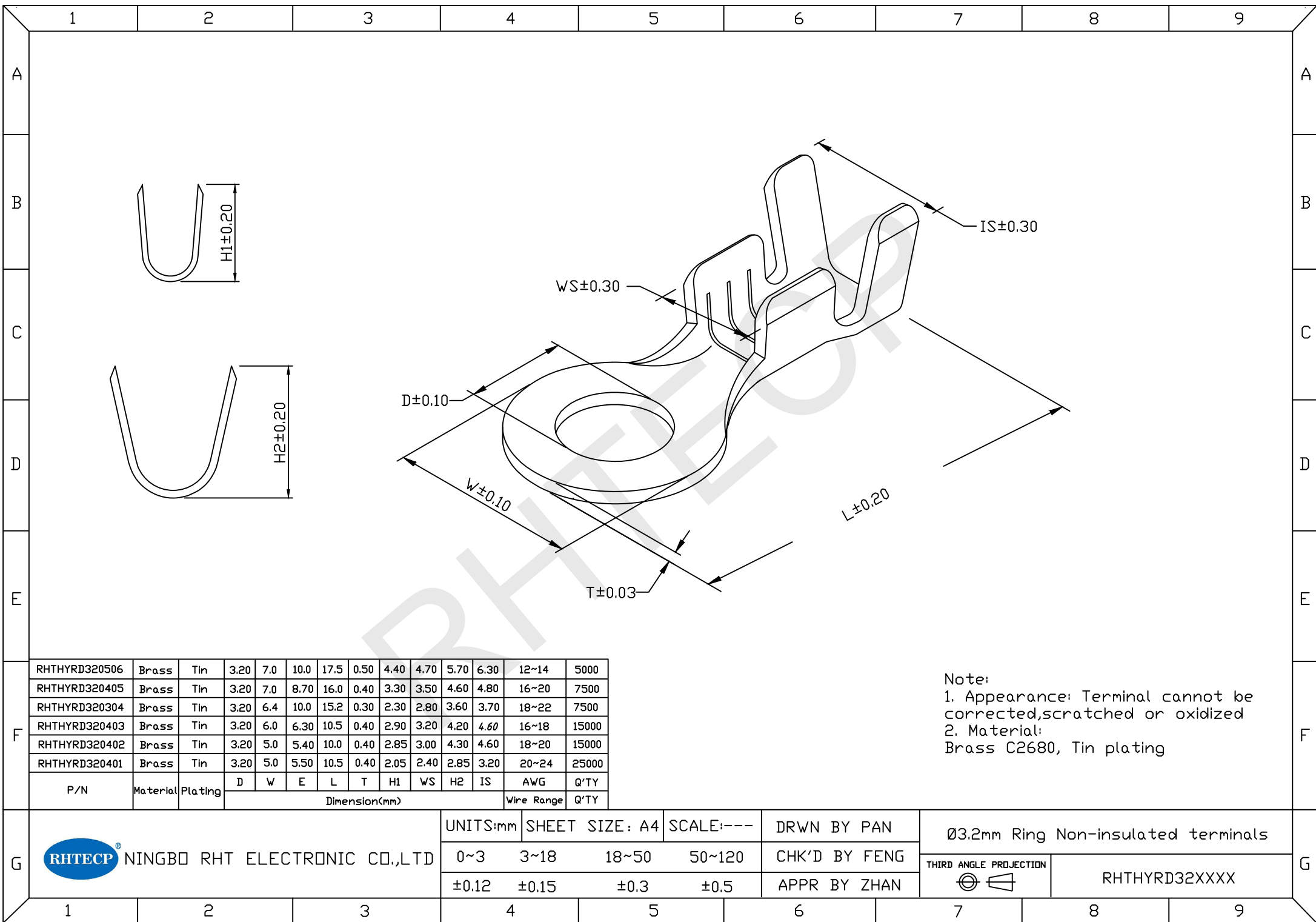
NINGBO RHT ELECTRONIC CO.,LTD

UNITS:mm	SHEET SIZE: A4	SCALE:---	DRWN BY PAN
0~3	3~18	18~50	50~120
±0.12	±0.15	±0.3	±0.5
CHK'D BY FENG		APPR BY ZHAN	

Ø2.5mm Ring Non-insulated terminals



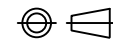
RHTHYRD25XXXX

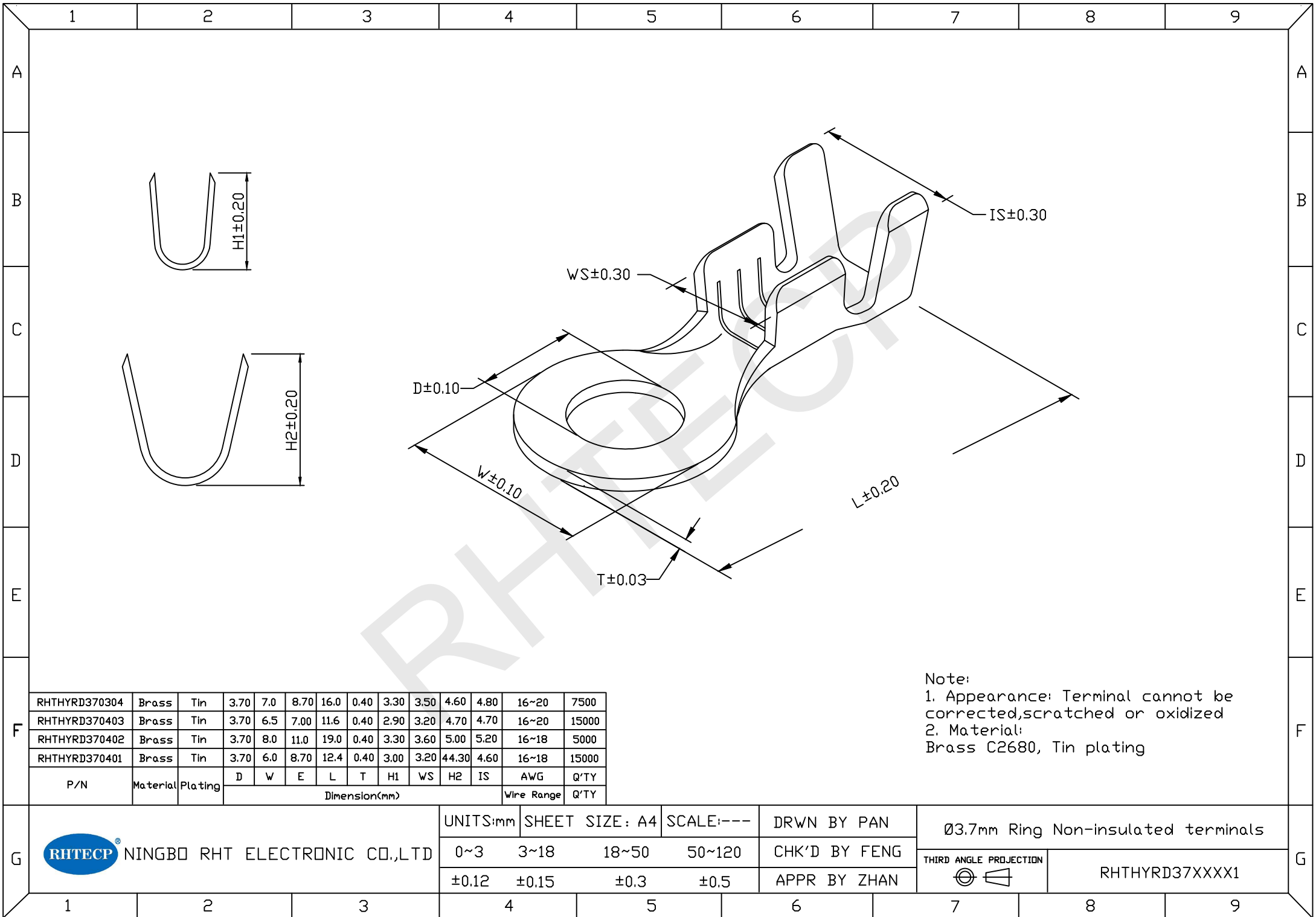


NINGBO RHT ELECTRONIC CO.,LTD

UNITS:mm	SHEET SIZE: A4	SCALE:---	DRWN BY PAN
0~3	3~18	18~50	50~120
±0.12	±0.15	±0.3	±0.5
CHK'D BY FENG		APPR BY ZHAN	

Ø3.2mm Ring Non-insulated terminals	
THIRD ANGLE PROJECTION	RHTHYRD32XXXX





Note:  
 1. Appearance: Terminal cannot be corrected, scratched or oxidized  
 2. Material: Brass C2680, Tin plating

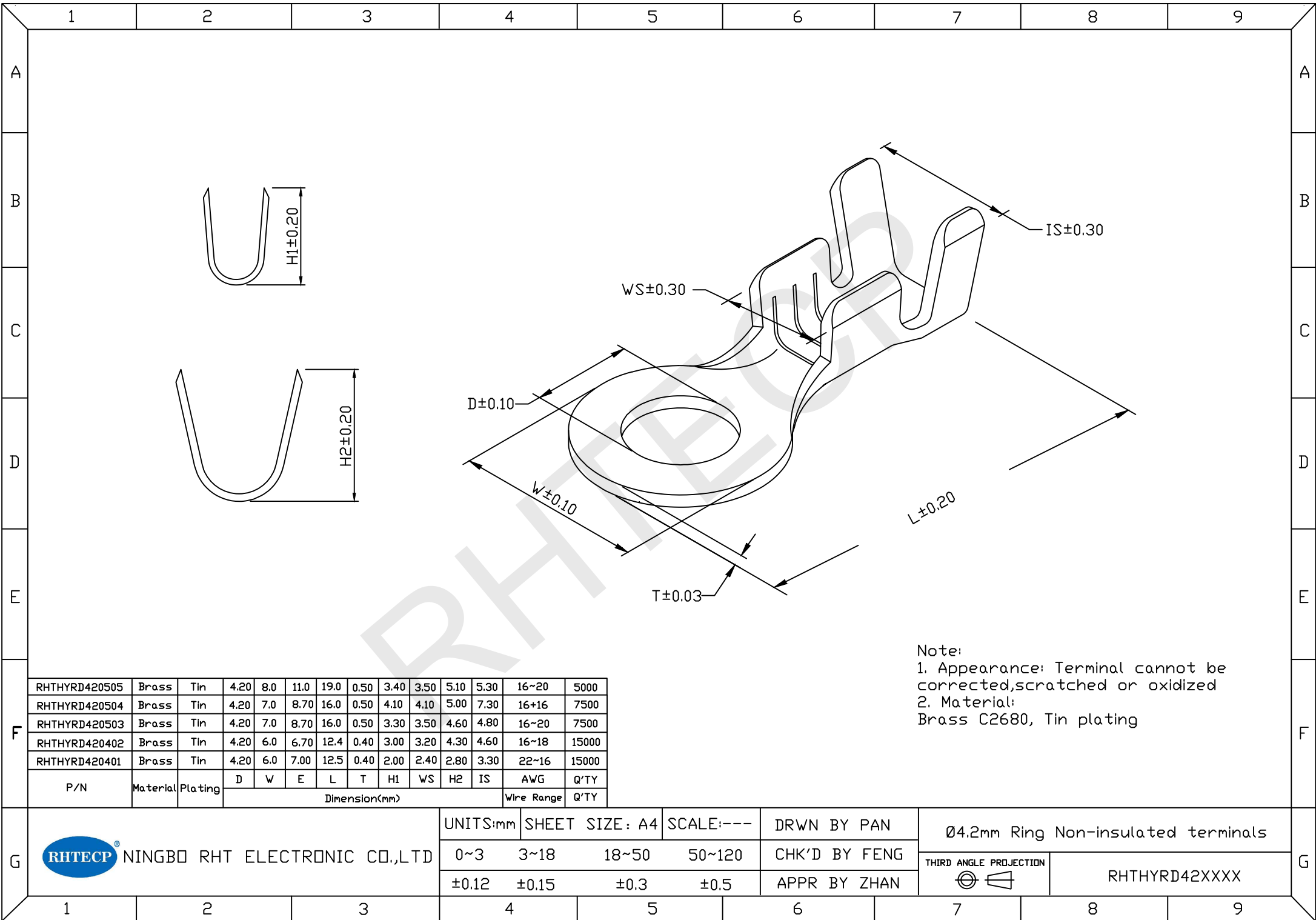
RHTHYRD370304	Brass	Tin	3.70	7.0	8.70	16.0	0.40	3.30	3.50	4.60	4.80	16~20	7500
RHTHYRD370403	Brass	Tin	3.70	6.5	7.00	11.6	0.40	2.90	3.20	4.70	4.70	16~20	15000
RHTHYRD370402	Brass	Tin	3.70	8.0	11.0	19.0	0.40	3.30	3.60	5.00	5.20	16~18	5000
RHTHYRD370401	Brass	Tin	3.70	6.0	8.70	12.4	0.40	3.00	3.20	44.30	4.60	16~18	15000
P/N	Material	Plating	D	W	E	L	T	H1	WS	H2	IS	AWG	Q'TY
Dimension(mm)												Wire Range	Q'TY



NINGBO RHT ELECTRONIC CO.,LTD

UNITS:mm	SHEET SIZE: A4	SCALE:---	DRWN BY PAN
0~3	3~18	18~50	50~120
±0.12	±0.15	±0.3	±0.5
CHK'D BY FENG		APPR BY ZHAN	

Ø3.7mm Ring Non-insulated terminals  
 THIRD ANGLE PROJECTION  
  
 RHTHYRD37XXXX1



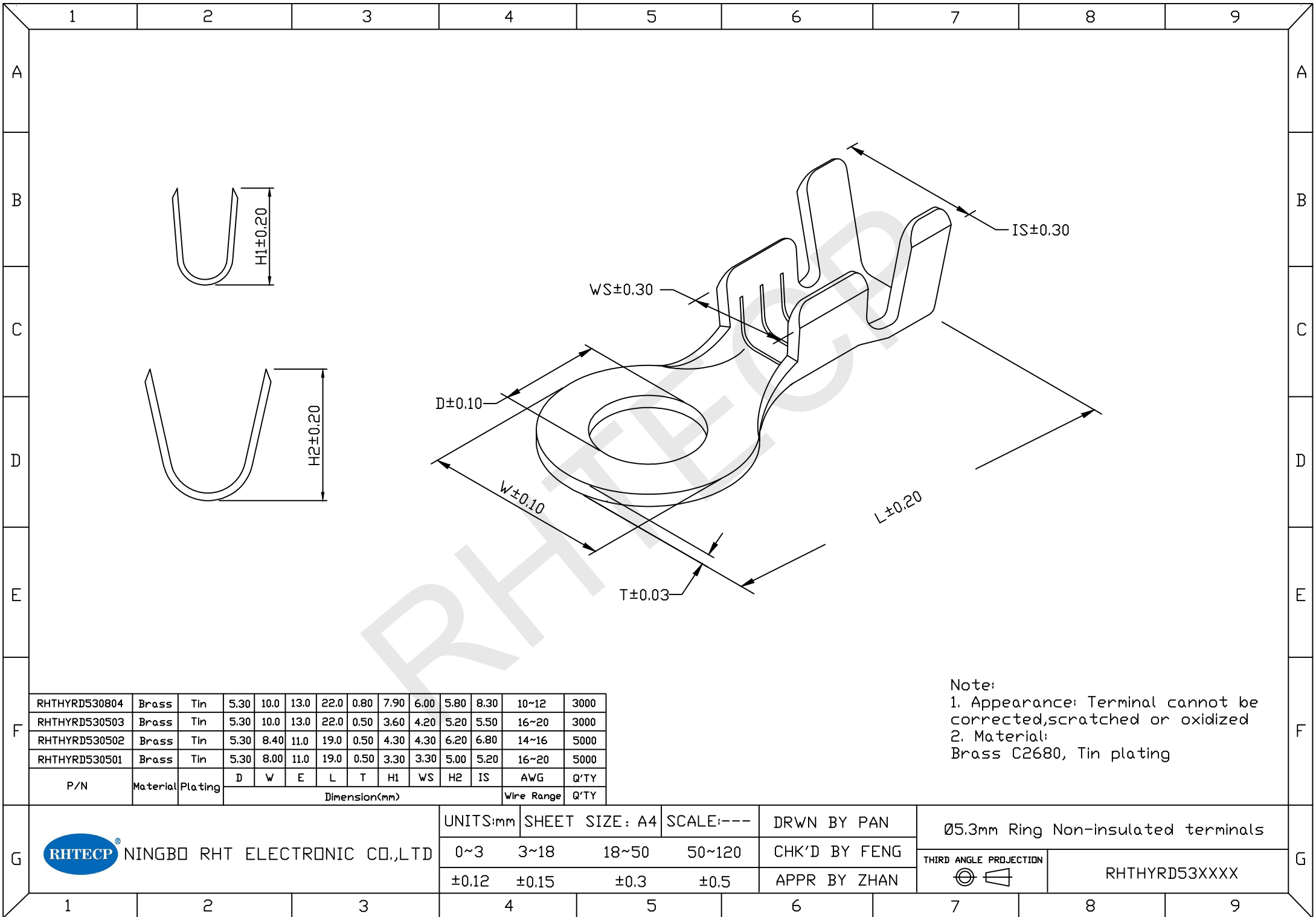
Note:  
 1. Appearance: Terminal cannot be corrected, scratched or oxidized  
 2. Material: Brass C2680, Tin plating



NINGBO RHT ELECTRONIC CO.,LTD

UNITS:mm	SHEET SIZE: A4	SCALE:---	DRWN BY PAN
0~3	3~18	18~50	50~120
±0.12	±0.15	±0.3	±0.5
CHK'D BY FENG		APPR BY ZHAN	

Ø4.2mm Ring Non-insulated terminals  
 THIRD ANGLE PROJECTION  
 RHTHYRD42XXXX



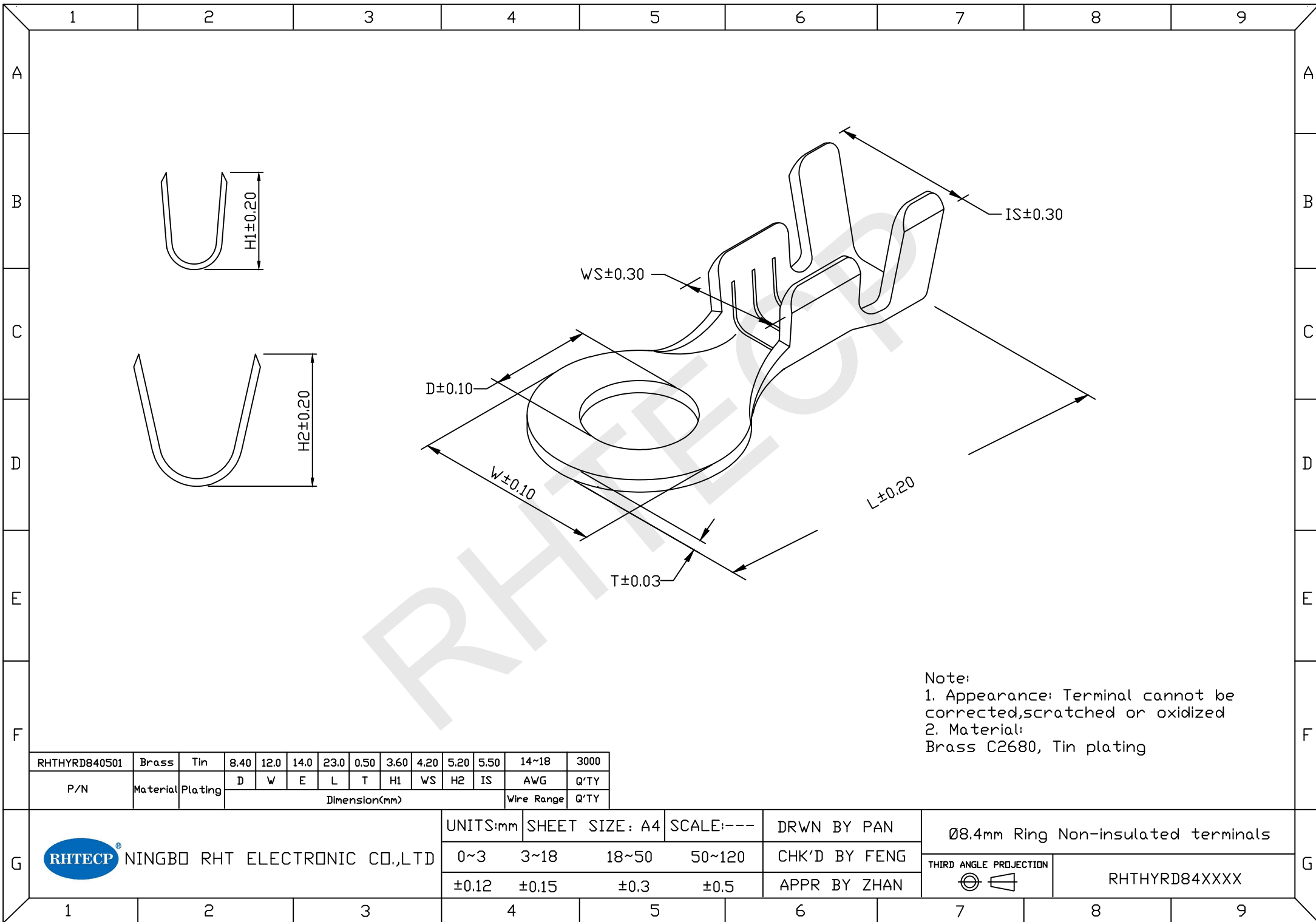
Note:  
 1. Appearance: Terminal cannot be corrected,scratched or oxidized  
 2. Material: Brass C2680, Tin plating



NINGBO RHT ELECTRONIC CO.,LTD

UNITS:mm	SHEET SIZE: A4	SCALE:---	DRWN BY PAN
0~3	3~18	18~50	50~120
±0.12	±0.15	±0.3	±0.5
CHK'D BY FENG		APPR BY ZHAN	

Ø5.3mm Ring Non-insulated terminals  
 THIRD ANGLE PROJECTION  
 RHTHYRD53XXXX



Note:  
 1. Appearance: Terminal cannot be corrected,scratched or oxidized  
 2. Material:  
 Brass C2680, Tin plating

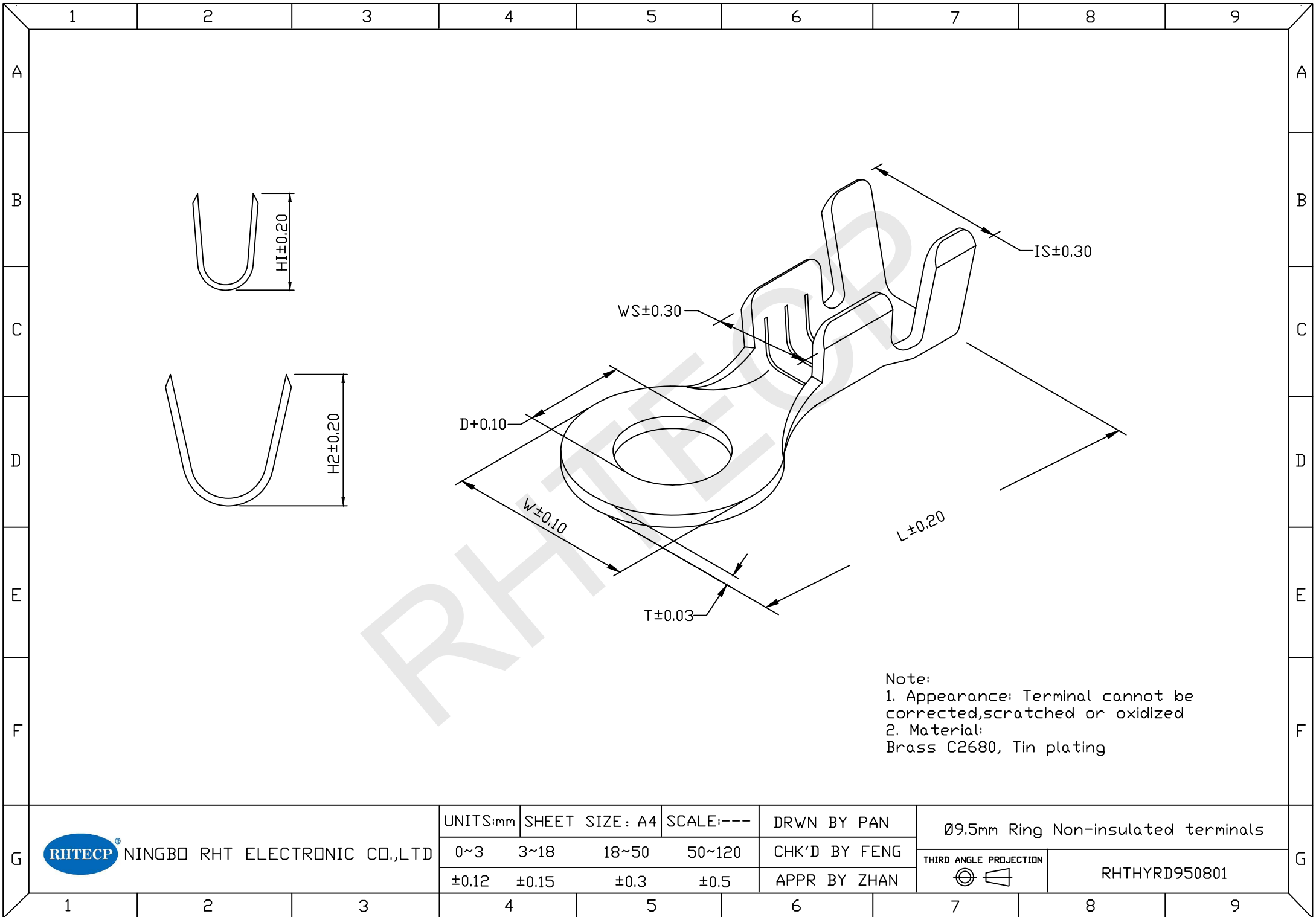
RHTHYRD840501	Brass	Tin	8.40	12.0	14.0	23.0	0.50	3.60	4.20	5.20	5.50	14~18	3000
P/N	Material	Plating	D	W	E	L	T	H1	WS	H2	IS	AWG	Q'TY
Dimension(mm)											Wire Range	Q'TY	



NINGBO RHT ELECTRONIC CO.,LTD

UNITS:mm	SHEET SIZE: A4	SCALE:---	DRWN BY PAN
0~3	3~18	18~50	50~120
±0.12	±0.15	±0.3	±0.5
CHK'D BY FENG		APPR BY ZHAN	

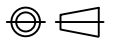
Ø8.4mm Ring Non-insulated terminals  
 THIRD ANGLE PROJECTION  
 RHTHYRD84XXXX



Note:  
 1. Appearance: Terminal cannot be corrected, scratched or oxidized  
 2. Material: Brass C2680, Tin plating

**RHTECP** NINGBO RHT ELECTRONIC CO.,LTD

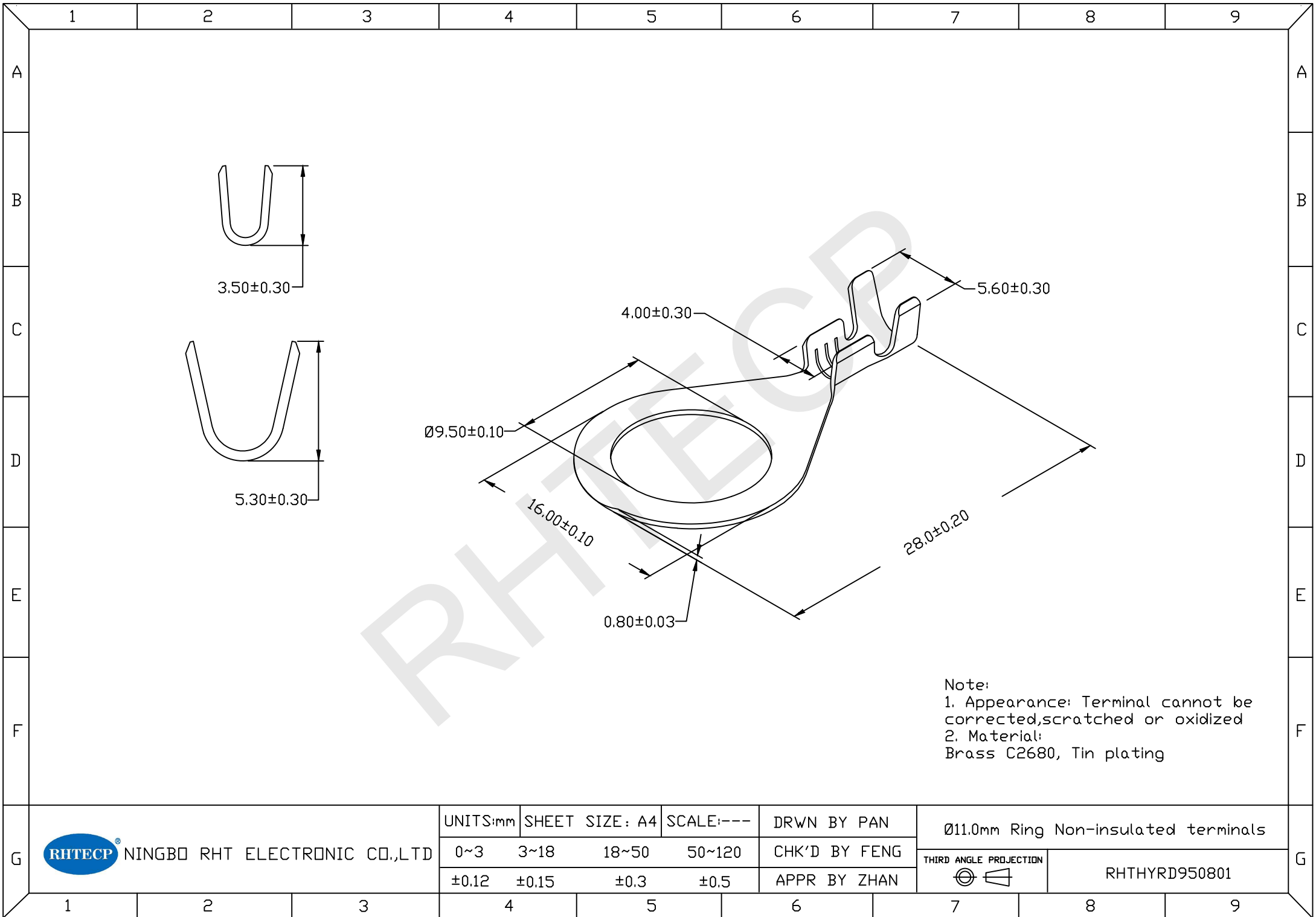
UNITS:mm	SHEET SIZE: A4			SCALE:---	DRWN BY PAN
0~3	3~18	18~50	50~120	CHK'D BY FENG	
±0.12	±0.15	±0.3	±0.5	APPR BY ZHAN	

Ø9.5mm Ring Non-insulated terminals  
 THIRD ANGLE PROJECTION  
  
 RHTHYRD950801

G

G

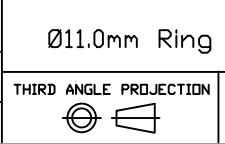




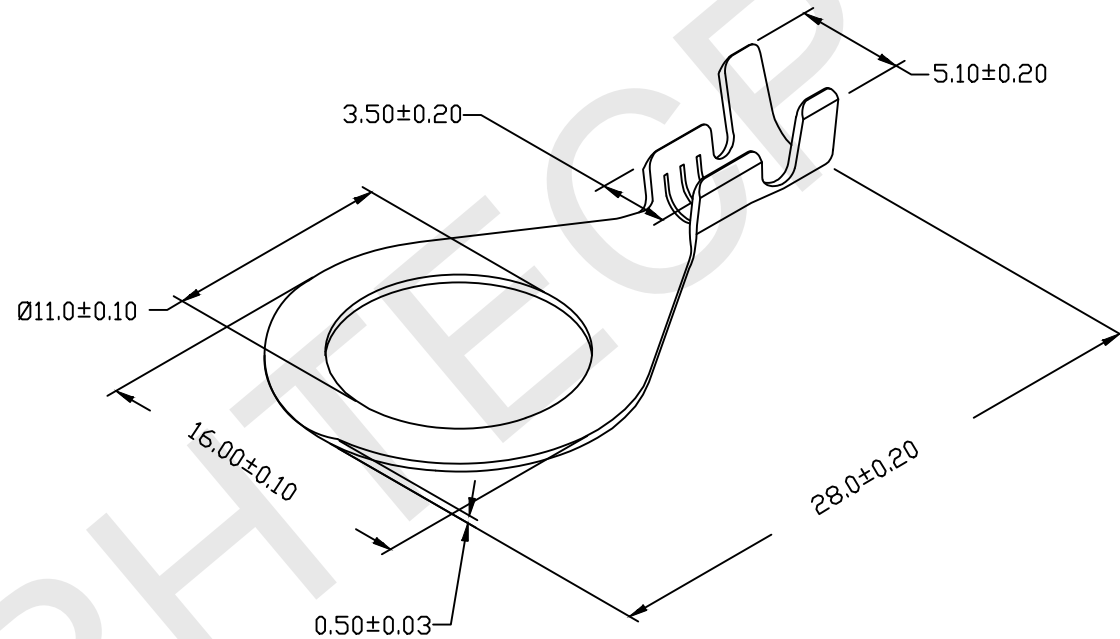
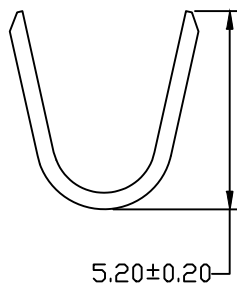
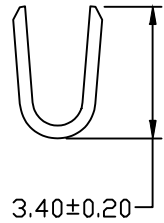
NINGBO RHT ELECTRONIC CO.,LTD

UNITS:mm	SHEET SIZE: A4	SCALE:---	DRWN BY PAN
0~3	3~18	18~50	50~120
±0.12	±0.15	±0.3	±0.5

CHK'D BY FENG
APPR BY ZHAN



Ø11.0mm Ring Non-insulated terminals  
RHTHYRD950801



Note:

1. Appearance: Terminal cannot be corrected, scratched or oxidized
2. Material: Brass C2680, Tin plating



NINGBO RHT ELECTRONIC CO.,LTD

UNITS:mm

SHEET SIZE: A4

SCALE:---

DRWN BY PAN

Ø11.0mm Ring Non-insulated terminals

0~3

3~18

18~50

50~120

CHK'D BY FENG

THIRD ANGLE PROJECTION

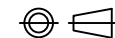
±0.12

±0.15

±0.3

±0.5

APPR BY ZHAN



RHTHYRD110501

1

2

3

4

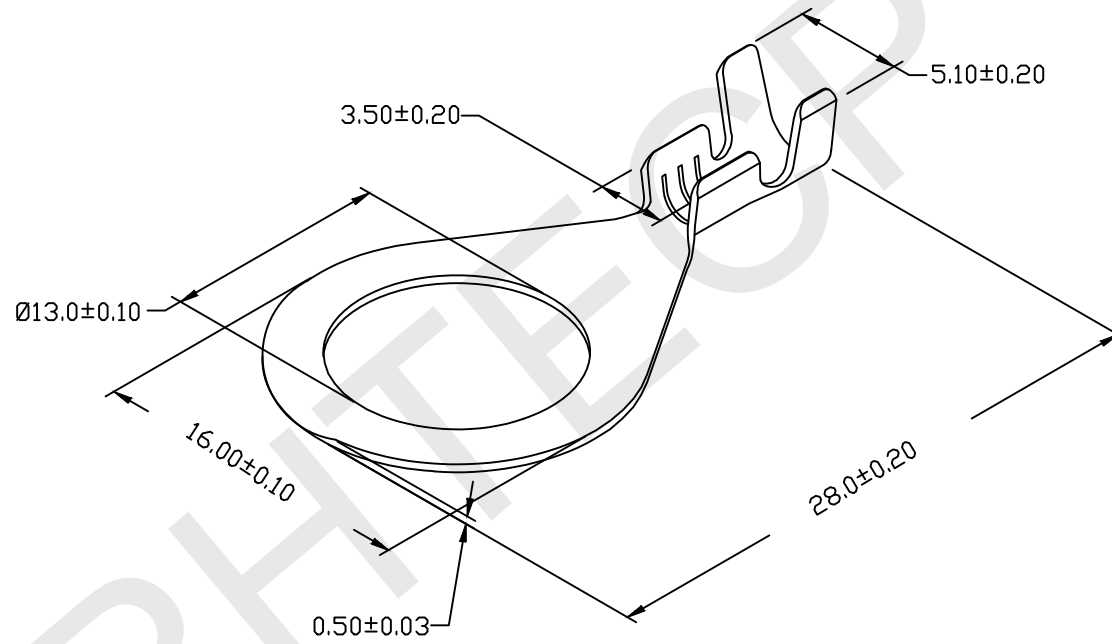
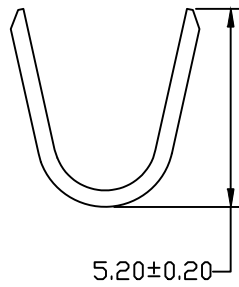
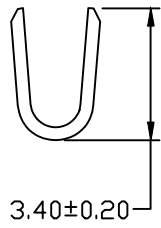
5

6

7

8

9



Note:

1. Appearance: Terminal cannot be corrected, scratched or oxidized
2. Material: Brass C2680, Tin plating



NINGBO RHT ELECTRONIC CO.,LTD

UNITS:mm	SHEET SIZE: A4			SCALE:---
0~3	3~18	18~50	50~120	
±0.12	±0.15	±0.3	±0.5	

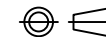
DRWN BY PAN

CHK'D BY FENG

APPR BY ZHAN

Ø13.0mm Ring Non-insulated terminals

THIRD ANGLE PROJECTION



RHTHYRD130501