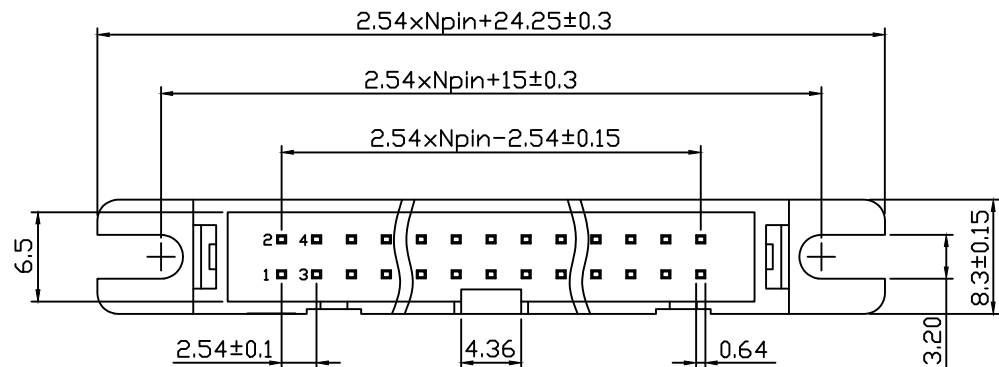
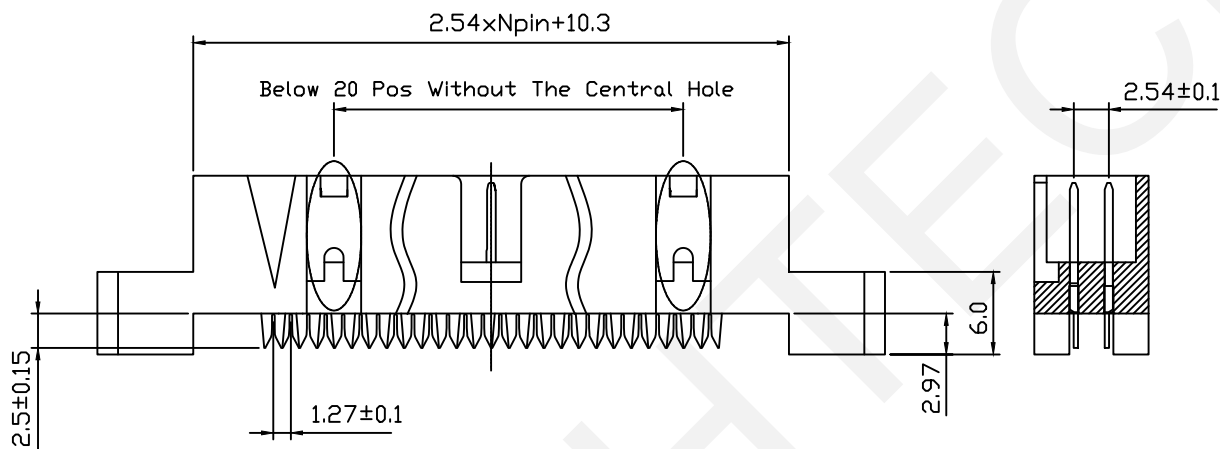


RoHS Compliance



Material:
 Housing: PBT, UL94V-0
 Contact: Brass
 Plating: Au or Sn Over Ni
 Cable: 1.27mm(0.050") Pitch Flat Cable

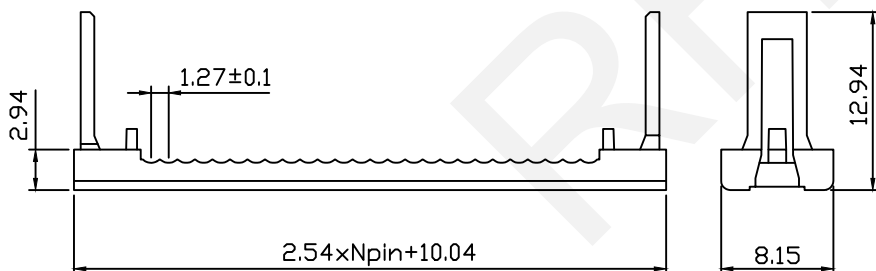
Electrical Characteristics:
 Current Rating: 3.0AMP
 Withstand Voltage: 1000V AC/DC
 Insulator Resistance: 1000M ohm Min
 Contact Resistance: 20M ohm Max
 Operating Temperature: -40°C~+105°C
 Max.Processing Temp: 180°C For 30-60 Seconds (200°C For 10 Seconds)



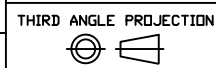
Order Information:

RHTAY01Z-XX-G-E

IDC Connectors
 2.54mm Pitch
 XX-No.of 06~64pin
 Color: B-Black G-Gray
 Type: _____
 E-With Ears N-Without Ears



UNITS:mm	SHEET SIZE: A4				SCALE:---	DRWN BY PAN
0~3	3~18	18~50	50~120	CHK'D BY FENG	2.54mm Pitch IDC Box Header Connector	
±0.12	±0.15	±0.3	±0.5	APPR BY ZHAN	RHTAY01Z-XX-G-E	

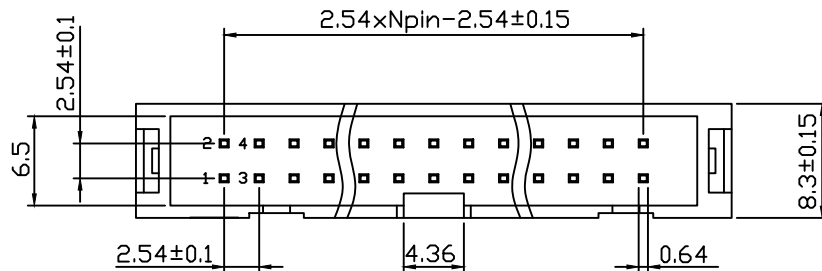


NINGBO RHT ELECTRONIC CO.,LTD

THIRD ANGLE PROJECTION

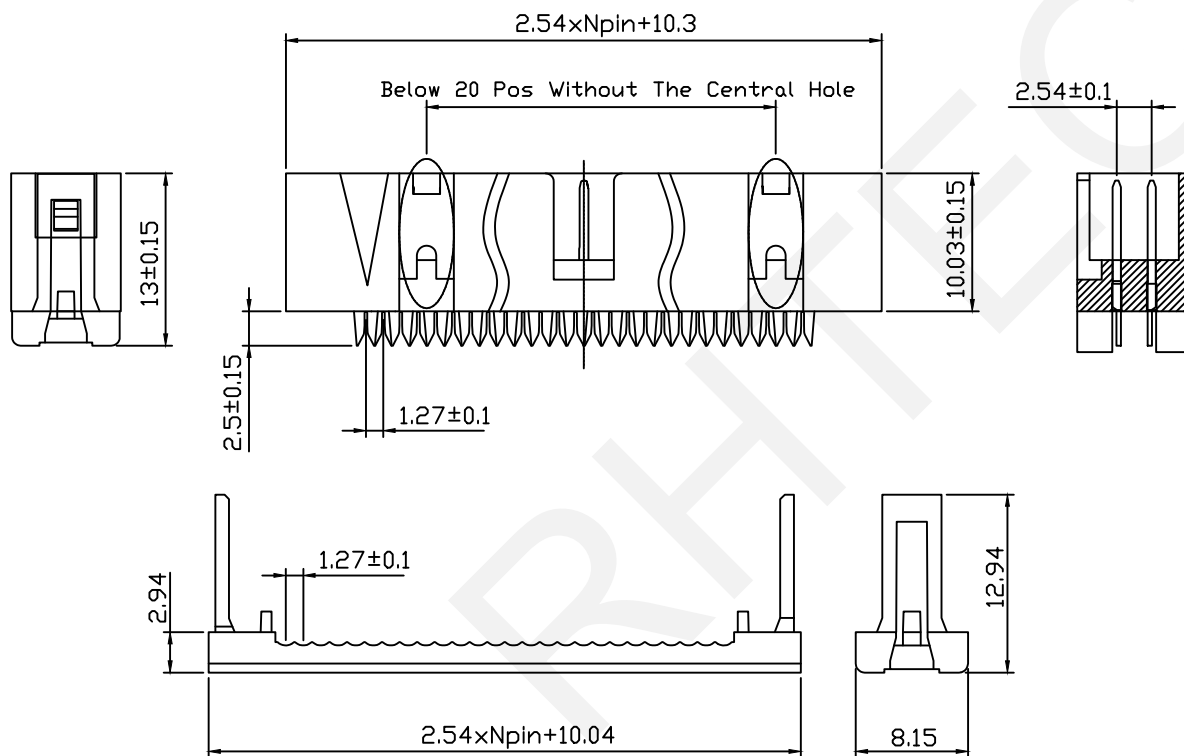
RHTAY01Z-XX-G-E

RoHS Compliance



Material:
 Housing: PBT, UL94V-0
 Contact: Brass
 Plating: Au or Sn Over Ni
 Cable: 1.27mm(0.050") Pitch Flat Cable

Electrical Characteristics:
 Current Rating: 3.0AMP
 Withstand Voltage: 1000V AC/DC
 Insulator Resistance: 1000M ohm Min
 Contact Resistance: 20M ohm Max
 Operating Temperature: -40°C~+105°C
 Max. Processing Temp: 180°C For 30-60 Seconds (200°C For 10 Seconds)



Order Information:
 RHTAY01Z-XX-G-N
 IDC Connectors
 2.54mm Pitch
 XX-No. of 06~64pin
 Color: B-Black G-Gray
 Type:
 E-With Ears N-Without Ears

RHTECP NINGBO RHT ELECTRONIC CO.,LTD

UNITS:mm	SHEET SIZE: A4	SCALE:---	DRWN BY PAN
0~3	3~18	18~50	50~120
±0.12	±0.15	±0.3	±0.5

CHK'D BY FENG
 APPR BY ZHAN

2.54mm Pitch IDC Box Header Connector
 THIRD ANGLE PROJECTION
 RHTAY01Z-XX-G-N