

Material

Housing:LCP UL94V-0

Lock:LCP,UL94V-0

Plug Spring:Phosphor Bronze,Gold/Tin

Solder:Phosphor Bronze,Gold/Tin

Electrical

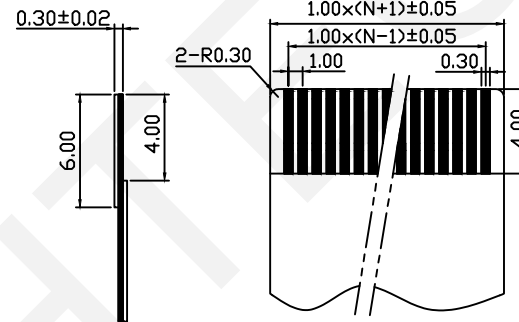
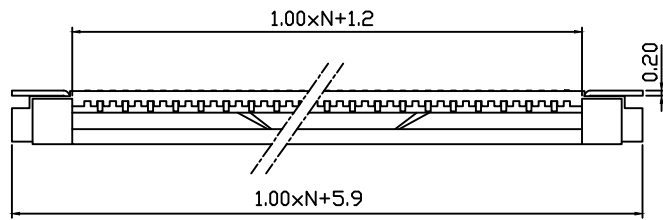
Voltage Rating: 50 V

Current Rating: 0.4 A

Withstanding Voltage:200 V

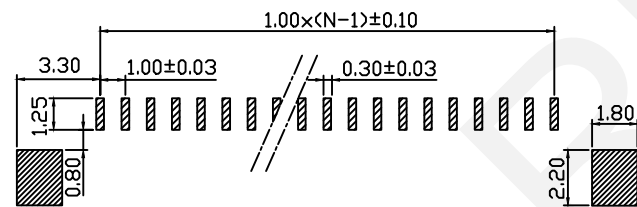
Insulation Resistance: 500MΩ.Min.

Contact Resistance: 20mΩ.Max.



Mechanical

Temp Range:-20℃~+85℃



PCB Layout

Proper Cable

Order Information

RHTAY40M-2.0-XX-T-L-R

Series No.]

Height:2.0mm

No.of Pins

(04~35 Pins)

T-SMT Pin

L-Lower Contact

Pack: T-Tube R-Reel

NINGBO RHT ELECTRONIC CO.,LTD

UNITS:mm	SHEET SIZE: A4			SCALE:---	DRWN BY PAN
0~3	3~18	18~50	50~120	CHK'D BY FENG	
±0.12	±0.15	±0.3	±0.5	APPR BY ZHAN	

CONN FFC 1.00mm,SMD, Horizontal, Lower Contact ,With ZIF	
THIRD ANGLE PROJECTION 	RHTAY40M-2.0-XX-T-L-R