



QUARTZ CRYSTAL RESONATOR

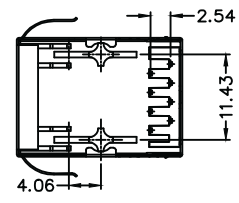
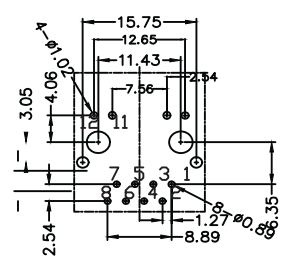
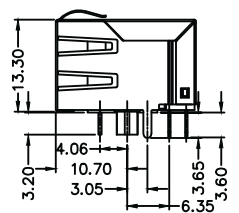
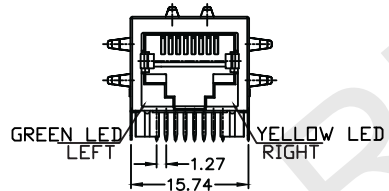
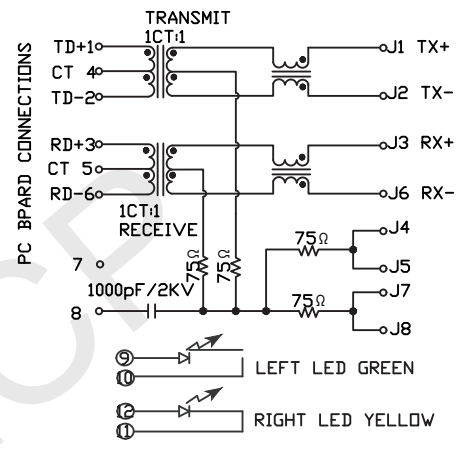
PARAMETERS RHTLYL058

RJ45 with Transformer

RHTLYL058 100Base 1x1 Tab-down RJ45

Electrical Specifications:

- Insertion Loss: 1-100MHZ -1.0dB MAX
- Return Loss: 1-30MHZ -16.0dB MIN
 - 30-60MHZ -14.0dB MIN
 - 60-80MHZ -10.0dB MIN
- Cross Talk: 1-30MHZ -40.0dB MIN
 - 30-60MHZ -35.0dB MIN
 - 60-80MHZ -30.0dB MIN
- CMR: 1M-100MHZ -35dB MIN
- Hi-Pot: 1500v AC 6S 1mA
- Turn Ratio: 1CT:1CT+/-3%
- QCL: 350uH MIN @ 100KHZ 100mV 8mA DC
- Contacts: 0.35mm thick phos bronze plated with 6u' gold in contact area
- Housing Material: PBT Black
- Operating temperature range: -40 --+85



PCB LAYOU
ORDER INFORMATION

RHTLYL058 - 1X1 - G

Part Number	Ports	LED Style
RHTLYL058	1x1Ports	G/Yellow/Green