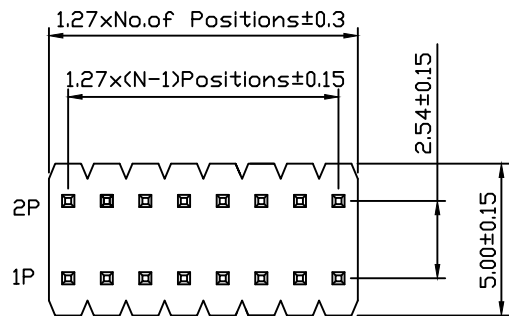
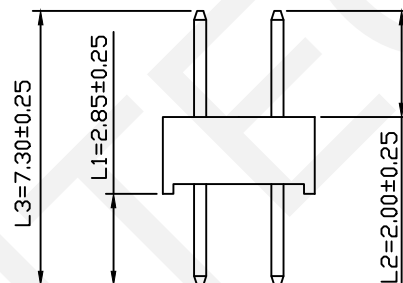
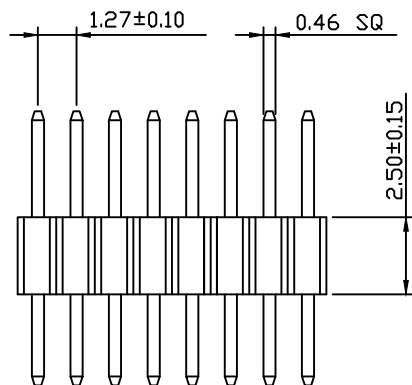
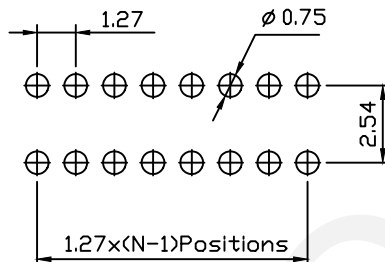


RoHS Compliance



Recommended P.C.B Hole Layout



Dimension Antitheses List (mm)

ITEM	L1	L2	L3	Plastic Height
Standard	2.85	2.00	7.30	2.50
Nonstandard	---	---	---	---

Material:

Standard: PA6T

Contact: Brass

Insulator: Polyester,UL94V-0

Electrical Characteristics:

Rated Current: 1.0AMP

Contact Resistance: 20mΩ Max

Withstand Voltage: 500V AC/DC

Insulator Resistance: 1000MΩ Min

Mechanical

Operating Temperature: -40°C~+105°C

Max.Processing Temp:230°C For30-60

Seconds(260°C For10 Seconds)

Order Information:

RHTAY07D-2-XX-S-L1xL2xL3-G0

Pin Header Series

07D:1.27mm

Per Row:Double Layer

Pin: No. Of Pins (2~100)

Type: Straight Pin.

Size:L1xL2xL3

Plating:

G0=Gold Flash G1=1u" Gold

G10=10u" Gold G15=15u" Gold

G30=30u" Gold

RHTECP NINGBO RHT ELECTRONIC CO.,LTD

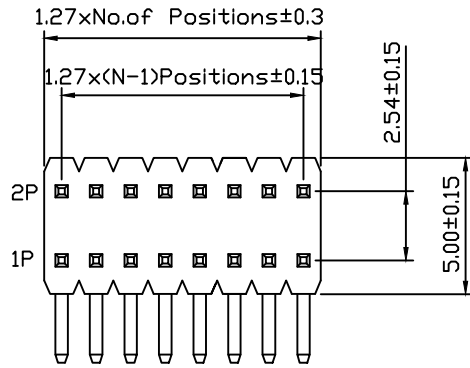
UNITS:mm	SHEET SIZE: A4	SCALE:---	DRWN BY PAN
0~3	3~18	18~50	50~120
±0.12	±0.15	±0.3	±0.5
			CHK'D BY FENG
			APPR BY ZHAN

1.27mm Pin Header
Double Layer, Straight Pin, 2xN Pin

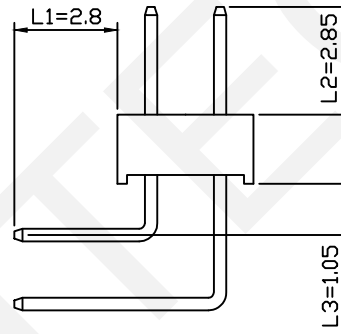
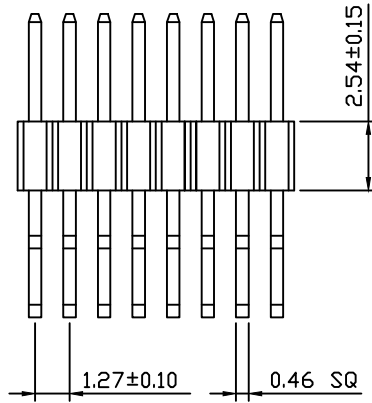
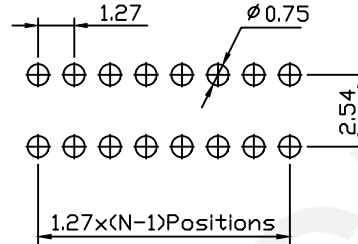
THIRD ANGLE PROJECTION

RHTAY07D-2-XX-S-L1xL2xL3-G0

RoHS Compliance



Recommended P.C.B Hole Layout



R1 Tybe

Dimension Antitheses List (mm)				
ITEM	L1	L2	L3	Plastic Height
Standard	2.80	2.85	1.05	2.54
Nonstandard	---	---	---	---

Material:

Standard: PA6T

Contact: Brass

Insulator: Polyester,UL94V-0

Electrical Characteristics:

Rated Current: 1.0AMP

Contact Resistance: 20mΩ Max

Withstand Voltage: 500V AC/DC

Insulator Resistance: 1000MΩ Min

Mechanical

Operating Temperature: -40°C~+105°C

Max.Processing Temp:230°C For30-60

Seconds(260°C For10 Seconds)

Order Information:

RHTAY07D-2-XX-R1-L1xL2xL3-G0

Pin Header Series

07D:1.27mm

Per Row:Double Layer

Pin: No. Of Pins (2~100)

Right Angle Pin:R1 Tybe

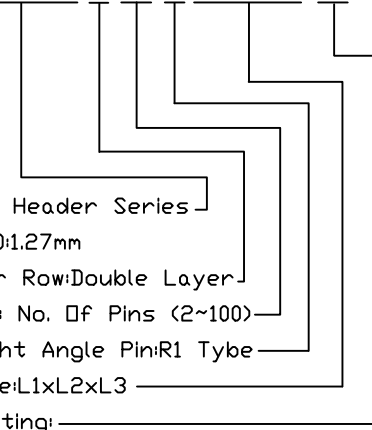
Size:L1xL2xL3

Plating:

G0=Gold Flash G1=1u" Gold

G10=10u" Gold G15=15u" Gold

G30=30u" Gold



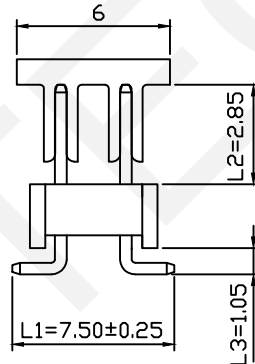
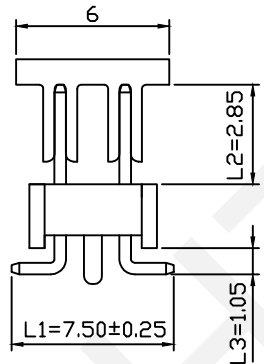
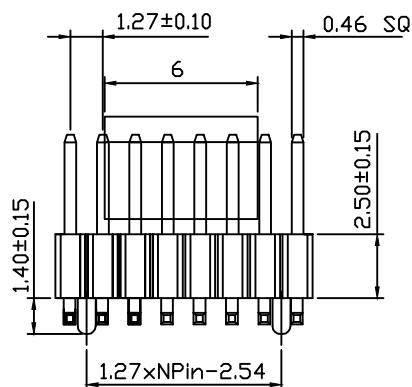
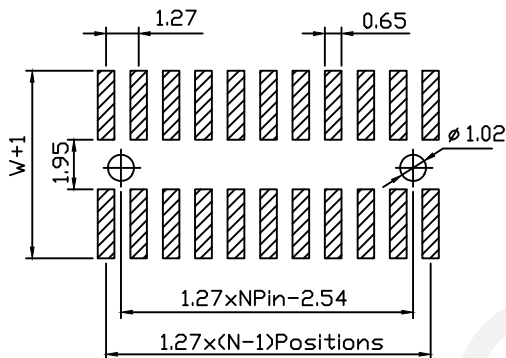
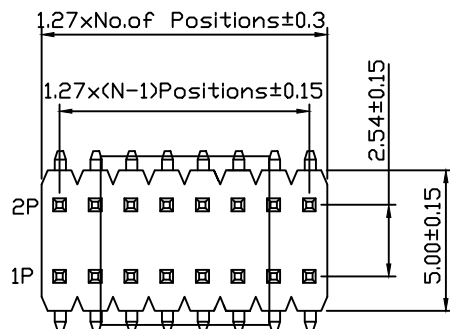
RHTECP NINGBO RHT ELECTRONIC CO.,LTD

UNITS:mm	SHEET SIZE: A4	SCALE:---	DRWN BY PAN
0~3	3~18	18~50	50~120
±0.12	±0.15	±0.3	±0.5
CHK'D BY FENG		APPR BY ZHAN	

1.27mm Pin Header
Double Layer,Right Angle Pin, 2xN Pin
THIRD ANGLE PROJECTION
RHTAY07D-2-XX-R1-L1xL2xL3-G0

RoHS Compliance

Recommended P.C.B Hole Layout



T3=With Post

T=Without Post

Dimension Antitheses List (mm)				
ITEM	L1	L2	L3	Plastic Height
Standard	7.50	2.85	1.50	2.50
Nonstandard	---	---	---	---

Material:

Standard: PA6T

Contact: Brass

Insulator: Polyester,UL94V-0

Electrical Characteristics:

Rated Current: 1.0AMP

Contact Resistance: 20mΩ Max

Withstand Voltage: 500V AC/DC

Insulator Resistance: 1000MΩ Min

Mechanical

Operating Temperature: -40°C~+105°C

Max.Processing Temp:230°C For30-60 Seconds(260°C For10 Seconds)

Order Information:

RHTAY07D-2-XX-T-L1xL2xL3-G0-R

Pin Header Series

07D:1.27mm

Per Row:Double Layer

Pin: No. Of Pins (2~100)

SMT

T=Without Post, T3=With Post

Size:L2xL4xW

Plating:

G0=Gold Flash G1=1u" Gold

G10=10u" Gold G15=15u" Gold

G30=30u" Gold

Packing:

0=PE Bag A=Tray T=Tube

P=Tube+Cap R=Reel+Cap



NINGBO RHT ELECTRONIC CO.,LTD

UNITS:mm	SHEET SIZE: A4	SCALE:---	DRWN BY PAN
0~3	3~18	18~50	50~120
±0.12	±0.15	±0.3	±0.5
CHK'D BY FENG		APPR BY ZHAN	

1.27mm Pin Header Double Layer,SMT,2xN Pin

THIRD ANGLE PROJECTION



RHTAY07D-2-XX-T-L1xL2xL3-G0-R