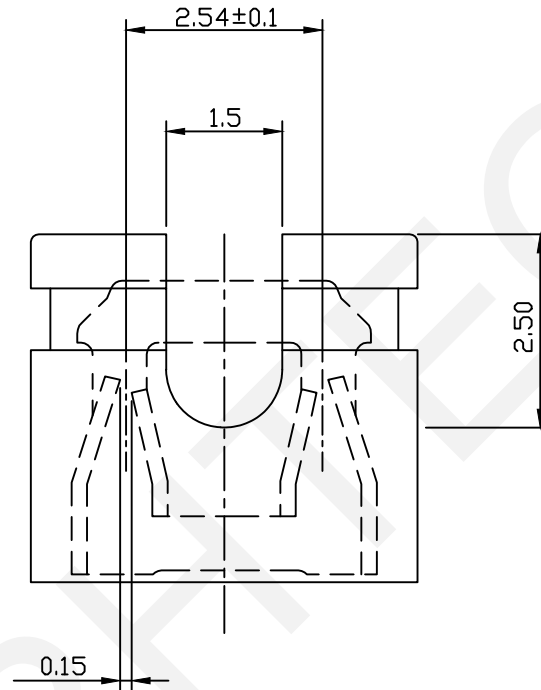
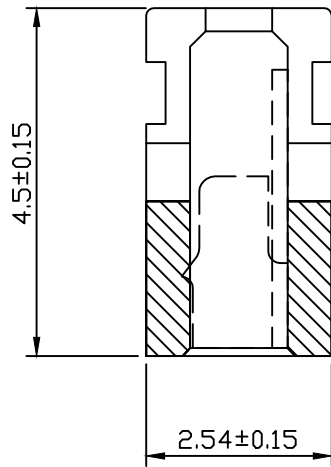
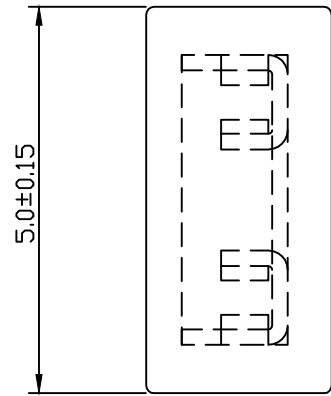


RoHS Compliance



Material:
 Standard:PBT
 Contact:Phosphor Bronze
 Insulator:Polyester,UL94V-0
 Electrical Characteristics.
 Rated Current: 1.0AMP
 Current Voltage: 30V RMS Max
 Contact Resistance: 20mΩ Max
 Withstand Voltage: 500V AC/DC
 Insulator Resistance: 500MΩ Min
 Mechanical
 Operating Temperature: -40°C~+105°C

Order Information:

RHTAY03A-□-B-4.5

Pin Header Series

03A:2.54mm

Housing Type: _____

□-Open

Color:B-Black R-Red.

L-Blue G-Green

Height: _____

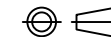
Open Type:4.5mm

RHTECP NINGBO RHT ELECTRONIC CO.,LTD

UNITS:mm	SHEET SIZE: A4			SCALE:---	DRWN BY PAN
0~3	3~18	18~50	50~120	CHK'D BY FENG	
±0.12	±0.15	±0.3	±0.5	APPR BY ZHAN	

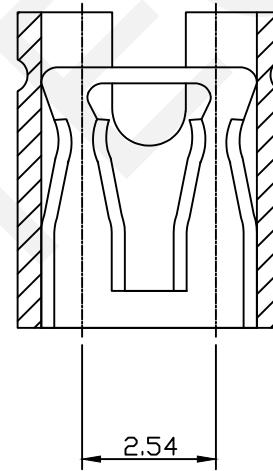
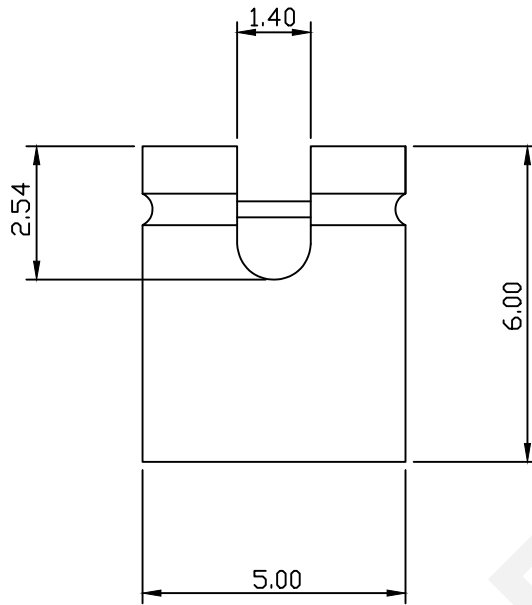
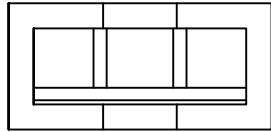
CONN MINI JUMER BLACK 2.54MM PITCH ROHS

THIRD ANGLE PROJECTION



RHTAY03A-□-B-4.5

RoHS Compliance



Material:
 Standard:PBT
 Contact:Brass
 Insulator:Polyester,UL94V-0
 Electrical Characteristics.
 Rated Current: 3.0AMP
 Contact Resistance: 20mΩ Max
 Withstand Voltage: 1000V AC/DC
 Insulator Resistance: 5000MΩ Min
 Mechanical
 Operating Temperature: -55°C~+105°C

Order Information:

RHTAY03A-□-B-6.0

Pin Header Series

03A:2.54mm

Housing Type: _____

□-□open

Color:B-Black R-Red.

L-Blue G-Green

Height: _____

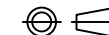
Open Type:6.0mm

 NINGBO RHT ELECTRONIC CO.,LTD

UNITS:mm	SHEET SIZE: A4			SCALE:---	DRWN BY PAN
0~3	3~18	18~50	50~120	CHK'D BY FENG	
±0.12	±0.15	±0.3	±0.5	APPR BY ZHAN	

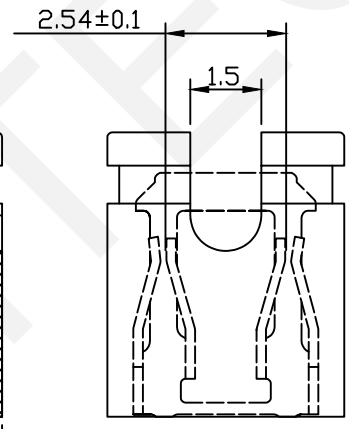
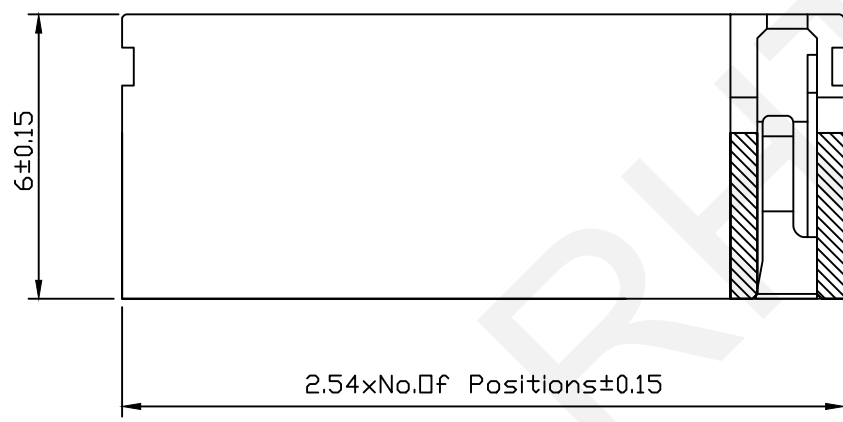
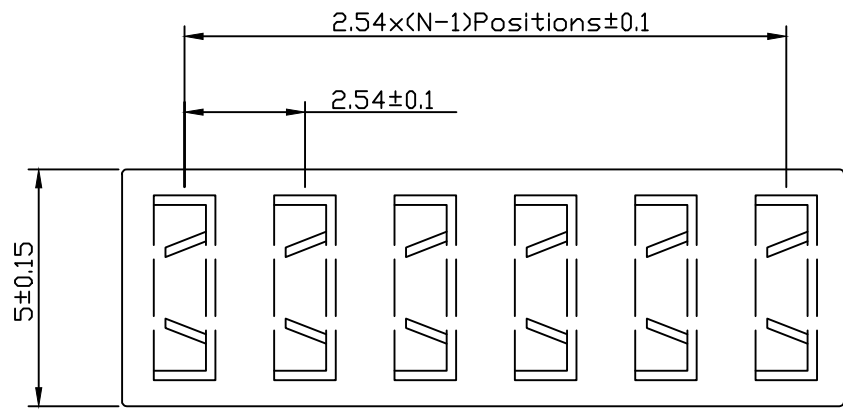
CONN MINI JUMER BLACK 2.54MM PITCH ROHS

THIRD ANGLE PROJECTION



RHTAY03A-□-B-6.0

RoHS Compliance

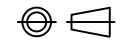


Material:
 Standard:PBT
 Contact:Brass
 Contact Plating:Au Over Ni
 Insulator:Polyester,UL94V-0
 Electrical Characteristics:
 Rated Current: 3.0AMP
 Contact Resistance: 20mΩ Max
 Withstand Voltage: 1000V AC/DC
 Insulator Resistance: 1000MΩ Min
 Mechanical
 Operating Temperature: -40°C~+105°C
 Max.Processing Temp:180°C For 30-60 Seconds
 (200°C For 10 Seconds)

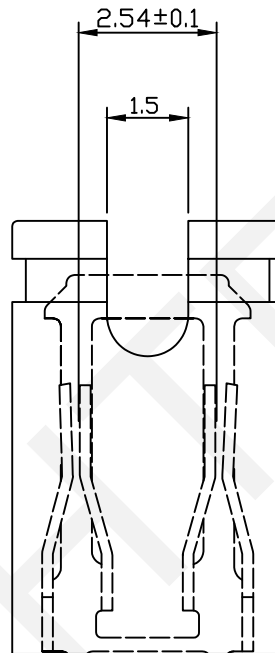
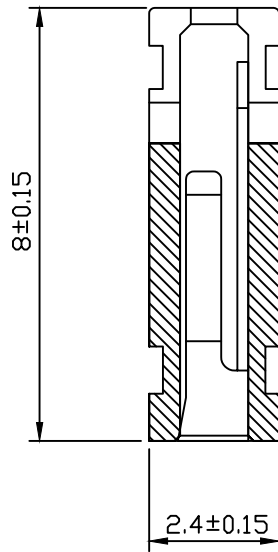
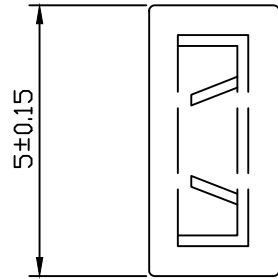
Order Information:
 RHTAY03A-□-B-6.0-6P
 Pin Header Series
 03A:2.54mm
 Housing Type: □
 □-Open
 Color:B-Black R-Red,
 L-Blue G-Green
 Height: 6.0mm
 Open Type:6.0mm
 Pins:02-10P

RHTECP NINGBO RHT ELECTRONIC CO.,LTD

UNITS:mm	SHEET SIZE: A4			SCALE:---	DRWN BY PAN
0~3	3~18	18~50	50~120	CHK'D BY FENG	APPR BY ZHAN
±0.12	±0.15	±0.3	±0.5		

CONN MINI JUMER BLACK 2.54MM PITCH ROHS
 THIRD ANGLE PROJECTION

 RHTAY03A-□-B-6.0-6P

RoHS Compliance



Material:
 Standard:PBT
 Contact:Brass
 Contact Plating:Au Over Ni
 Insulator:Polyester,UL94V-0
 Electrical Characteristics.
 Rated Current: 3.0AMP
 Contact Resistance: 20mΩ Max
 Withstand Voltage: 1000V AC/DC
 Insulator Resistance: 1000MΩ Min
 Mechanical
 Operating Temperature: -40°C~+105°C
 Max.Processing Temp:180°C For 30-60 Seconds
 (200°C For 10 Seconds)

Order Information:

RHTAY03A-□-B-8.0

Pin Header Series

03A:2.54mm

Housing Type: □

□-□ Open

Color:B-Black R-Red.

L-Blue G-Green

Height: 8.0mm

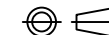
Open Type:8.0mm

 NINGBO RHT ELECTRONIC CO.,LTD

UNITS:mm	SHEET SIZE: A4			SCALE:---	DRWN BY PAN
0~3	3~18	18~50	50~120	CHK'D BY FENG	
±0.12	±0.15	±0.3	±0.5	APPR BY ZHAN	

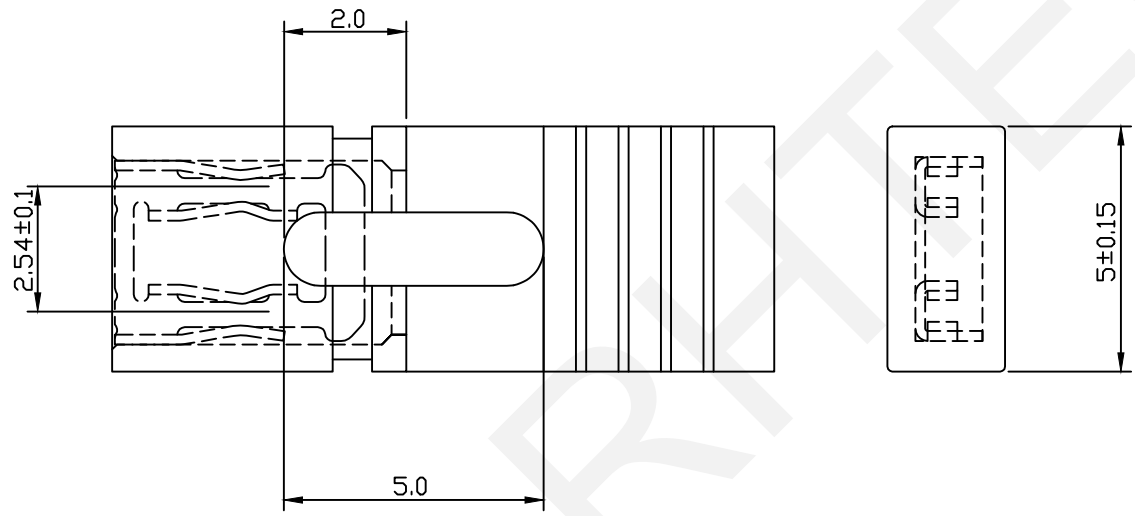
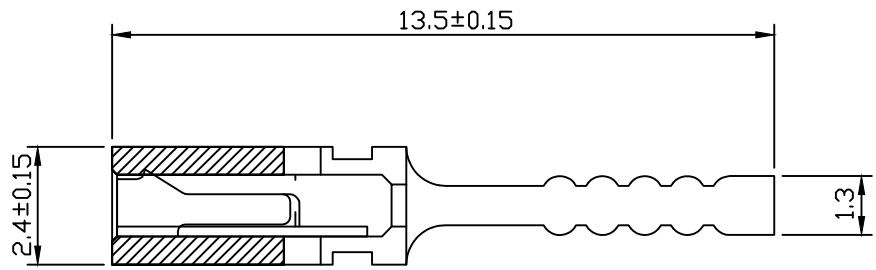
CONN MINI JUMER BLACK 2.54MM PITCH ROHS

THIRD ANGLE PROJECTION



RHTAY03A-□-B-8.0

RoHS Compliance



Material:
 Standard: PA66
 Contact: Brass
 Contact Plating: Au Over Ni
 Insulator: Polyester, UL94V-0
 Electrical Characteristics:
 Rated Current: 3.0AMP
 Contact Resistance: 20mΩ Max
 Withstand Voltage: 1000V AC/DC
 Insulator Resistance: 1000MΩ Min
 Mechanical
 Operating Temperature: -40°C~+105°C
 Max. Processing Temp: 230°C For 30-60 Seconds
 (260°C For 10 Seconds)

Order Information:
RHTAY03A-□-B-13.5
 Pin Header Series
 03A: 2.54mm
 Housing Type: _____
 □-□ Open
 Color: B-Black R-Red.
 L-Blue G-Green
 Height: _____
 Open Type: 13.5mm



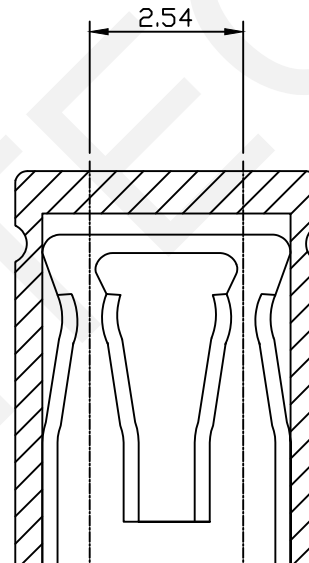
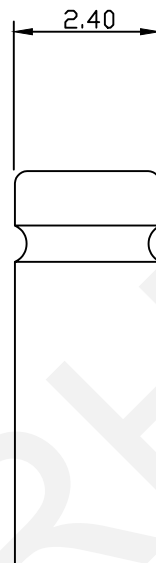
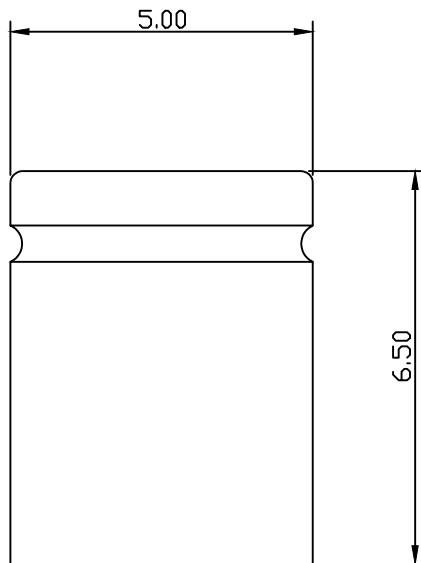
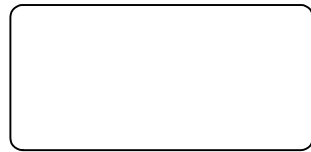
NINGBO RHT ELECTRONIC CO.,LTD

UNITS:mm	SHEET SIZE: A4		SCALE:---	DRWN BY PAN
0~3	3~18	18~50	50~120	CHK'D BY FENG
±0.12	±0.15	±0.3	±0.5	APPR BY ZHAN

CONN MINI JUMER BLACK 2.54MM PITCH ROHS
 THIRD ANGLE PROJECTION
 RHTAY03A-□-B-13.5

RoHS Compliance

Material:
 Standard:PBT
 Contact:Brass
 Insulator:Polyester,UL94V-0
 Electrical Characteristics.
 Rated Current: 3.0AMP
 Contact Resistance: 20mΩ Max
 Withstand Voltage: 1000V AC/DC
 Insulator Resistance: 5000MΩ Min
 Mechanical
 Operating Temperature: -55°C~+105°C



Order Information:

RHTAY03A-C-B-6.5

Pin Header Series

03A:2.54mm

Housing Type: _____

C-Close

Color:B-Black R-Red

L-Blue G-Green

Height: _____

Close Type:6.5mm

 NINGBO RHT ELECTRONIC CO.,LTD

UNITS:mm	SHEET SIZE: A4			SCALE:---	DRWN BY PAN
0~3	3~18	18~50	50~120	CHK'D BY FENG	
±0.12	±0.15	±0.3	±0.5	APPR BY ZHAN	

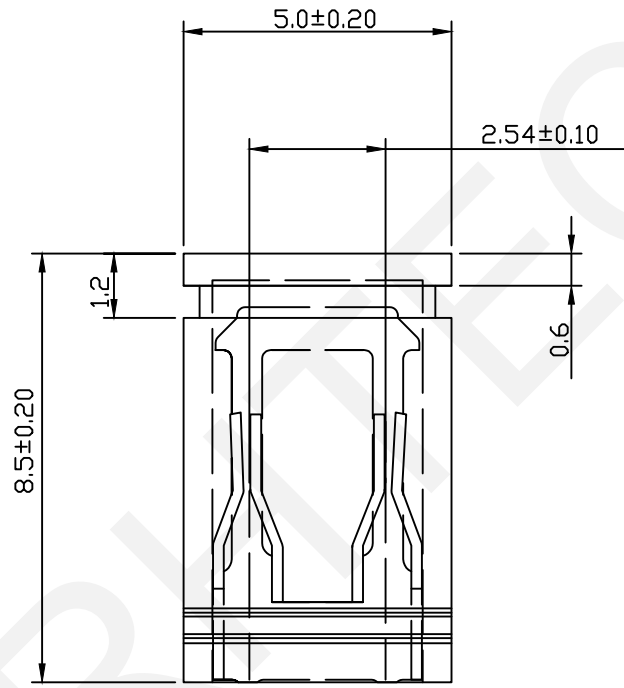
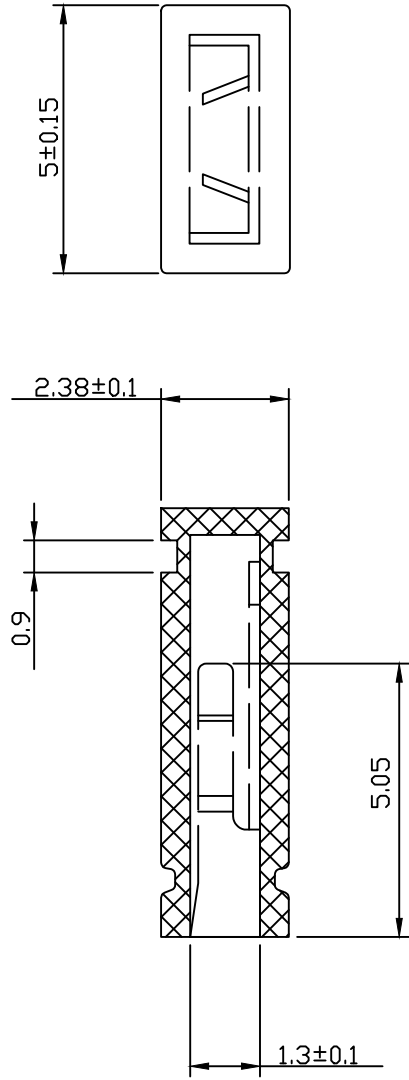
CONN MINI JUMER BLACK 2.54MM PITCH RDHS

THIRD ANGLE PROJECTION



RHTAY03A-C-B-6.5

RoHS Compliance



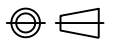
Material:
 Standard:PBT
 Contact:Brass
 Contact Plating:Au Over Ni
 Insulator:Polyester,UL94V-0
 Electrical Characteristics.
 Rated Current: 3.0AMP
 Contact Resistance: 20mΩ Max
 Withstand Voltage: 1000V AC/DC
 Insulator Resistance: 1000MΩ Min
 Mechanical
 Operating Temperature: -40°C~+105°C
 Max.Processing Temp:180°C For 30-60 Seconds
 (200°C For 10 Seconds)

Order Information:
RHTAY03A-C-B-8.5

Pin Header Series-
 03A:2.54mm
 Housing Type: _____
 C-Close
 Color:B-Black R-Red
 L-Blue G-Green
 Height: _____
 Close Type:8.5mm

 NINGBO RHT ELECTRONIC CO.,LTD

UNITS:mm	SHEET SIZE: A4			SCALE:---	DRWN BY PAN
0~3	3~18	18~50	50~120	CHK'D BY FENG	
±0.12	±0.15	±0.3	±0.5	APPR BY ZHAN	

CONN MINI JUMER BLACK 2.54MM PITCH RDHS
 THIRD ANGLE PROJECTION

 RHTAY03A-C-B-8.5