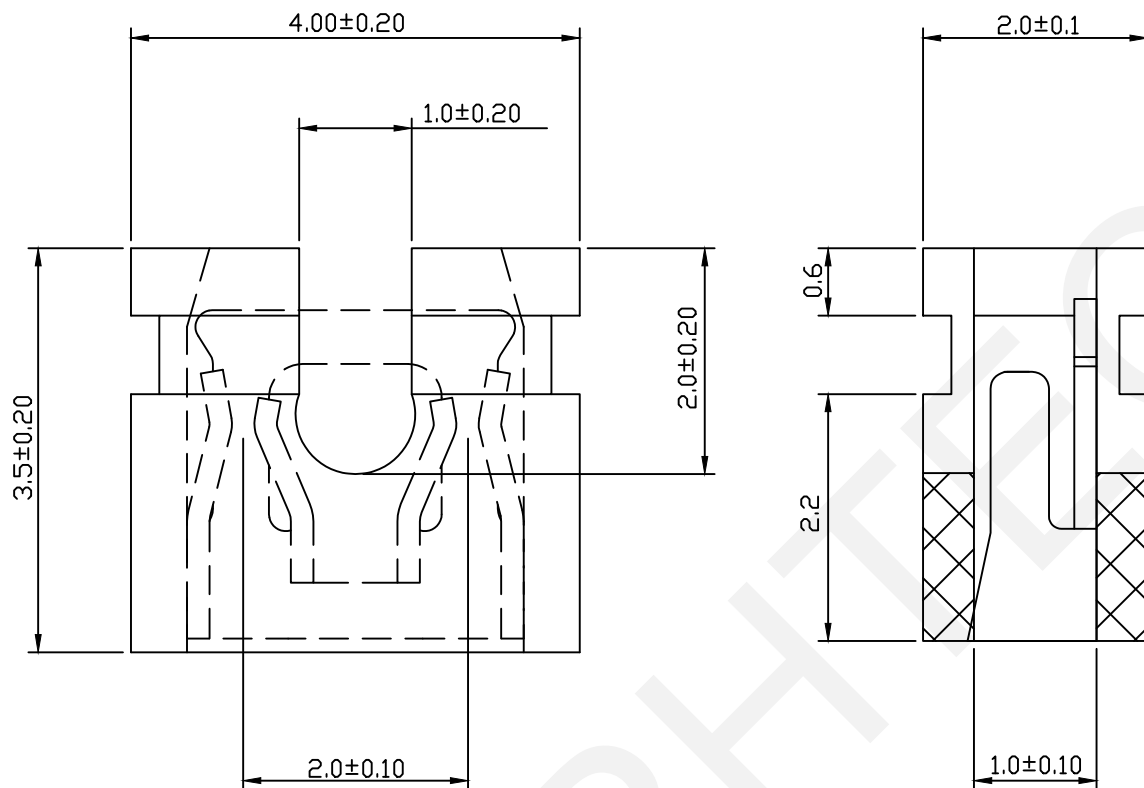


RoHS Compliant



Material:
 Standard:PBT
 Contact:Brass
 Contact Plating:Au Over Ni
 Insulator:Polyester,UL94V-0
 Electrical Characteristics:
 Rated Current: 1.5AMP
 Contact Resistance: 20mΩ Max
 Withstand Voltage: 500V AC/DC
 Insulator Resistance: 1000MΩ Min
 Mechanical
 Operating Temperature: -40°C~+105°C
 Max.Processing Temp:180°C For 30-60 Seconds
 (200°C For 10 Seconds)

Order Information:

RHTAY03B-□-B-3.5

Pin Header Series

03B:2.00mm

Housing Type:

□-□open

Color:B-Black R-Red

L-Blue G-Green

Height:

Open Type:3.5mm/4.5mm

UNITS:mm	SHEET SIZE: A4			SCALE:---	DRWN BY PAN
0~3	3~18	18~50	50~120	CHK'D BY FENG	
±0.12	±0.15	±0.3	±0.5	APPR BY ZHAN	

2.0mm Pitch Mini Jumper Connector	
THIRD ANGLE PROJECTION	RHTAY03B-□-B-3.5

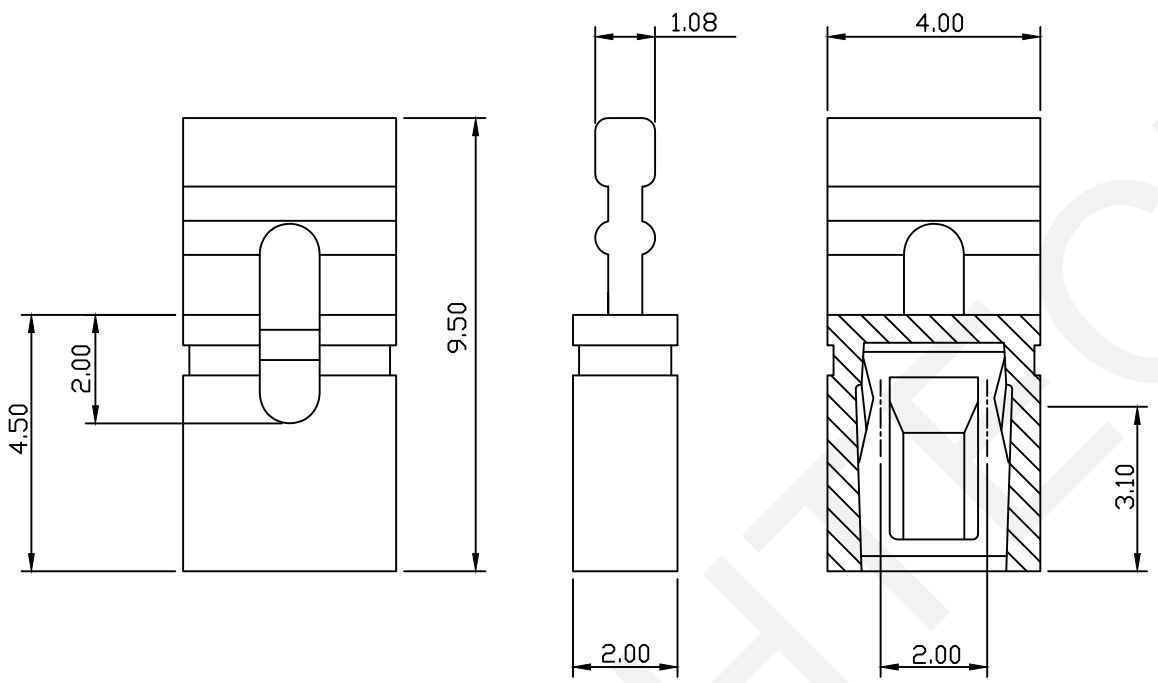


NINGBO RHT ELECTRONIC CO.,LTD




RHTAY03B-□-B-3.5

1
RoHS Compliant

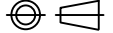


Material:
 Standard: Nylon 66
 Contact: Phosphor Bronze
 Contact Plating: Au Over Ni
 Insulator: Polyester, UL94V-2
 Electrical Characteristics:
 Rated Current: 3.0AMP
 Contact Resistance: 30mΩ Max
 Withstand Voltage: 650V AC/DC
 Insulator Resistance: 1000MΩ Min
 Mechanical
 Operating Temperature: -40°C~+105°C

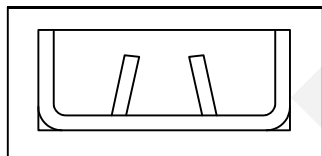
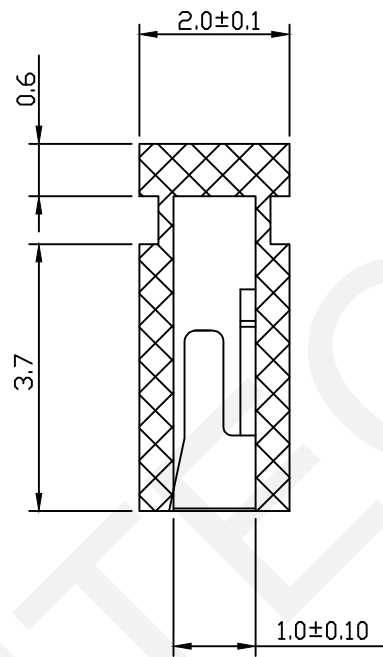
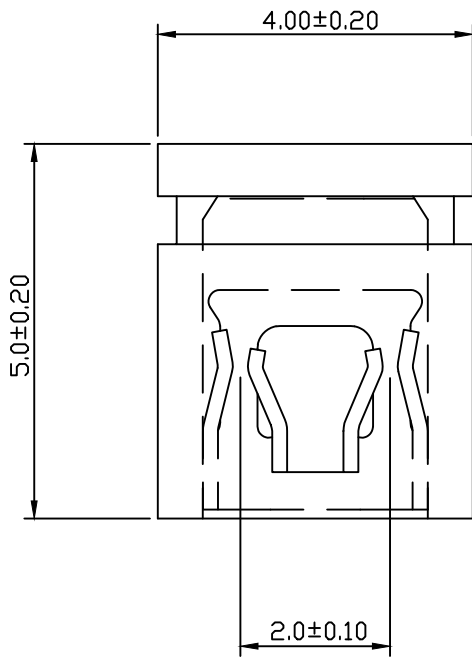
Order Information:
 RHTAY03B-□-B-9.5
 Pin Header Series
 03B: 2.00mm
 Housing Type: _____
 □-Open
 Color: B-Black R-Red
 L-Blue G-Green
 Height: _____
 Open Type: 9.5mm

G
 NINGBO RHT ELECTRONIC CO.,LTD

UNITS:mm	SHEET SIZE: A4			SCALE:---	DRWN BY PAN
0~3	3~18	18~50	50~120	CHK'D BY FENG	
±0.12	±0.15	±0.3	±0.5	APPR BY ZHAN	

2.0mm Pitch Mini Jumper Connector	
THIRD ANGLE PROJECTION 	RHTAY03B-□-B-9.5

1
RoHS Compliant



Material:
Standard:PBT
Contact:Brass
Contact Plating:Au Over Ni
Insulator:Polyester,UL94V-0
Electrical Characteristics.
Rated Current: 1.5AMP
Contact Resistance: 20mΩ Max
Withstand Voltage: 500V AC/DC
Insulator Resistance: 1000MΩ Min
Mechanical
Operating Temperature: -40°C~+105°C
Max.Processing Temp:180°C For 30-60 Seconds
(200°C For 10 Seconds)

Order Information:
RHTAY03B-C-B-5.0
Pin Header Series
03B:2.00mm
Housing Type:
C-Close
Color:B-Black R-Red
L-Blue G-Green
Height:
Close Type:5.0mm

UNITS:mm	SHEET SIZE: A4			SCALE:---	DRWN BY PAN
0~3	3~18	18~50	50~120	CHK'D BY FENG	
±0.12	±0.15	±0.3	±0.5	APPR BY ZHAN	

2.0mm Pitch Mini Jumper Connector

THIRD ANGLE PROJECTION

RHTAY03B-C-B-5.0