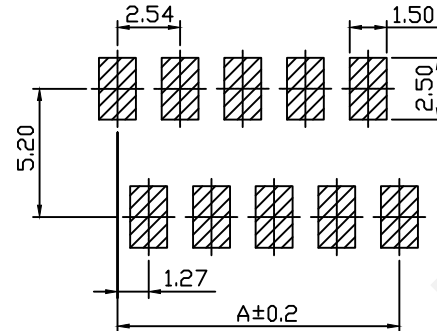
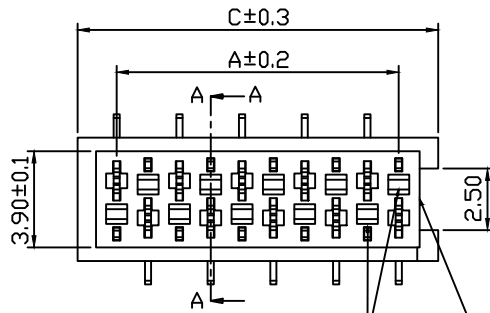


RoHS Compliance

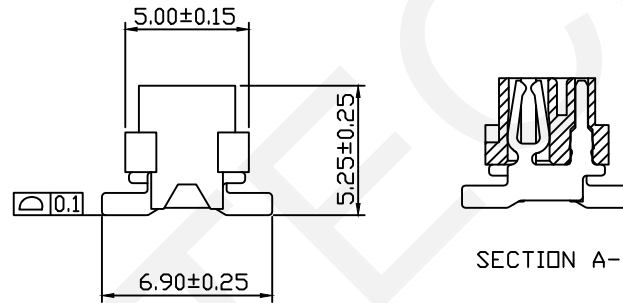
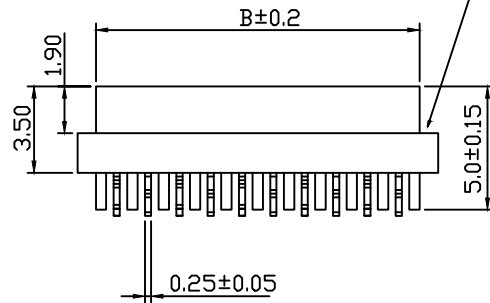


Material:  
 Housing: PA46/PA9T UL94V-0  
 Contacts: Phosphor Bronze  
 Plating: Sn Over 50u" Nickel

Electrical Characteristics:  
 Current Rating : 1.0AMP  
 Voltage Rating: 230V AC/DC  
 Withstand Voltage: 500V AC/Minute  
 Contact Resistance: 20MΩ ohm Max  
 Insulator Resistance: 1000MΩ ohm Min  
 Operating Temperature:-40°C~+105°C

REFERENCE MATING INTERFACE PATTERN:  
 1.27 STAGGERED PITCHx15 ROW-DISTANCE

POLARISATION SOLT Recommended P.C.B Layout



Order Information:

RHTAY04G-XX-R-□-□

Pitch:2.54mm

XX-No.of 04~26pin

Color:R-Red B-Black

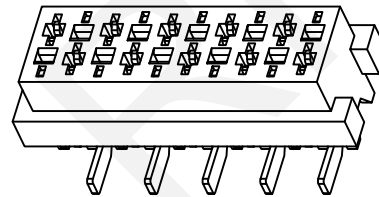
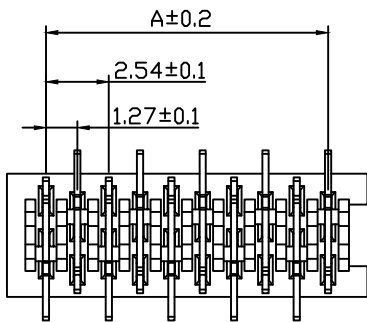
Material:

NONE=PA9T E=PA46

Packing:

TC=Cap+Tube C-R=Cap+Reel

Poles	DIM.A	DIM.B	DIM.C	Qty/Tube
04	3.81	5.50	6.99	82
06	6.35	8.04	9.53	60
08	8.89	10.58	12.07	48
10	11.43	13.12	14.61	39
12	13.97	15.66	17.15	33
14	16.51	18.20	19.69	29
16	19.05	20.74	22.23	26
18	21.59	23.28	24.77	23
20	24.13	25.82	27.31	21
22	26.67	28.36	29.85	19
24	29.21	30.90	32.39	17
26	31.75	33.44	34.93	16



**RHTECP** NINGBO RHT ELECTRONIC CO.,LTD

UNITS:mm SHEET SIZE: A4 SCALE:--- DRWN BY PAN  
 0~3 3~18 18~50 50~120 CHK'D BY FENG  
 ±0.12 ±0.15 ±0.3 ±0.5 APPR BY ZHAN

Micro-Match Connector,Socket, Female, SMT

THIRD ANGLE PROJECTION



RHTAY04G-XX-R-□-□