

TOLERANCES UNLESS OTHERWISE SPECIFIED :
 0~10+0.15, 10~20+0.2, 20~40±0.25,
 40~70±0.3, 970±0.4

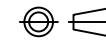
RHTECP NINGBO RHT ELECTRONIC CO.,LTD

UNITS:mm	SHEET SIZE: A4		SCALE:---	
0~3	3~18	18~50	50~120	
±0.12	±0.15	±0.3	±0.5	

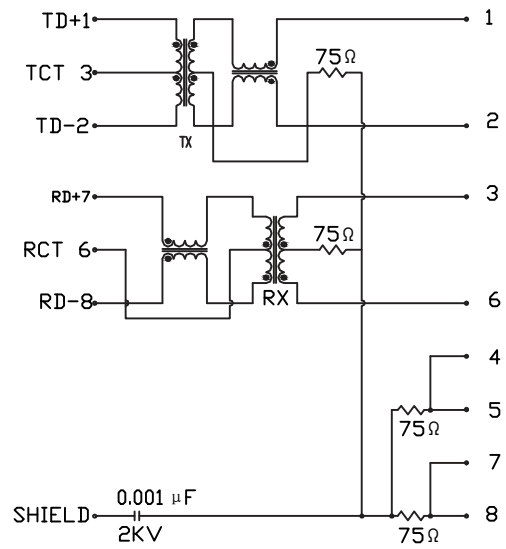
DRWN BY PAN
 CHK'D BY FENG
 APPR BY ZHAN

RJ45 Modular Jack with Transformer
 Right PCB Mount

THIRD ANGLE PROJECTION



RHTLYL001



SPECIFICATIONS

Meets IEEE802.3 specification
 CURRENT RATING:1.5A
 VOLTAGE RATING:125V AC
 ELECTRICAL:
 INSULATION RESISTANCE:500MΩ Mini

WITHSTAND VOLTAGE:AC 1500 VRMS 50HZ OR 60HZ 1 Min
 CONTACT RESISTANCE:20mΩ Max
 Inductance:350uH minmum OCL with 8mA bias current

INSERTION FORCE:
 2 CONTACTS----350g 4 CONTACTS----500g
 6 CONTACTS----750g 8 CONTACTS----900g
 10 CONTACTS----1050g

MECHANICAL:

RETENTION STRENGTH:7.7KG BETWEEN JACK AND PLUG
 DURABILITY:750 MATING CYCLES Mini
 HOUSING:1)GLASS FILLED PA66(UL 94V-0)
 2)GLASS FILLED PA46(UL 94V-0)
 3)GLASS FILLED PBT(UL 94V-0)

MATERIAL:SPRING WIRE:1)0.45mm DIA PHOSPHOR BRONZE GOLD PLATING OVER NICKEL
 2)0.35mm THICKNESS PHOSPHOR BRONZE ALLOY SELECTIVE GOLD PLATING OVER NICKEL
 SHIELDING:0.24mm THICKNESS COPPER ALLOY WITH TIN PLATED
 GOLD PLATING:3 μ", 6 μ", 15 μ", 30 μ", 50 μ"
 WORKING TEMPERATURE:-40℃~70℃
 TOLERANCES UNLESS OTHERWISE SPECIFIED:0~10±0.15、10~20±0.2、20~40±0.25、40~70±0.3、≥70±0.4

ELECTRICAL SPECIFICATIONS AT 25℃

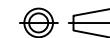
Insertion Loss dB max	Return Loss dB min			Crosstalk(dB TYP)			Common Mode Rejection (dB TYP)		Hipot(Vrms)
	1-30MHz	30-60MHz	60-80MHz	1-30MHz	30-60MHz	60-80MHz	1-50MHz	50-150MHz	
-1.0	-18	-16	-12	-40	-35	-30	-30	-20	1500

NINGBO RHT ELECTRONIC CO.,LTD

UNITS:mm	SHEET SIZE: A4	SCALE:---	DRWN BY PAN
0~3	3~18	18~50	50~120
±0.12	±0.15	±0.3	±0.5
CHK'D BY FENG		APPR BY ZHAN	

RJ45 Modular Jack with Transformer
 Right PCB Mount

THIRD ANGLE PROJECTION



RHTLYL001