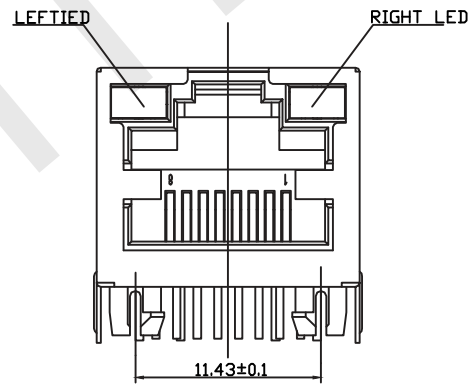
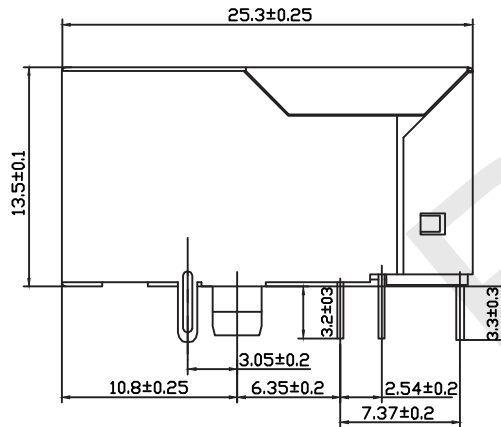


TOLERANCES UNLESS OTHERWISE SPECIFIED:  
 0~10+0.15、10~20+0.2、20~40+0.25、40~70+0.3、70+0.4

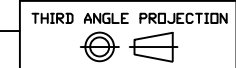


**RHTECP** NINGBO RHT ELECTRONIC CO.,LTD

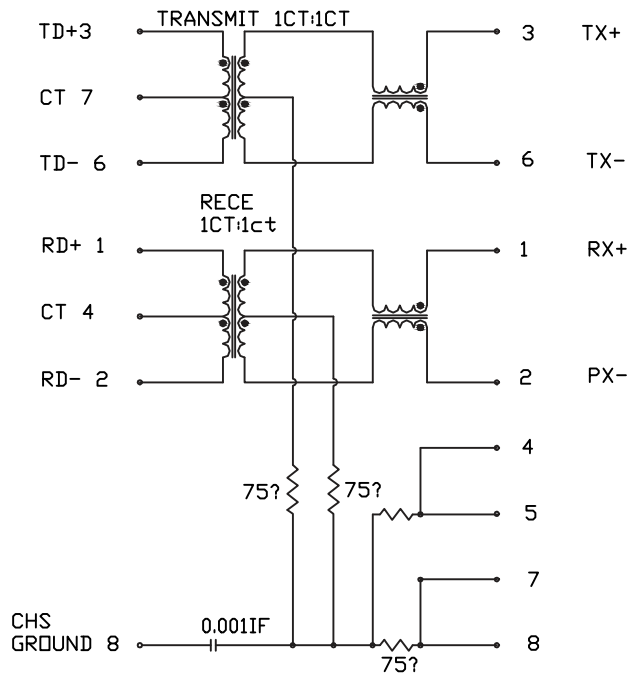
UNITS:mm	SHEET SIZE: A4	SCALE:---	DRWN BY PAN
0~3	3~18	18~50	50~120
±0.12	±0.15	±0.3	±0.5

CHK'D BY FENG
APPR BY ZHAN

RJ45 Modular Jack with LED/Transformer  
(Right PCB Mount)



RHTLYL004



**SPECIFICATIONS**

Meets IEEE802.3 specification  
 CURRENT RATING:1.5A  
 VOLTAGE RATING:125V AC

**ELECTRICAL:**

INSULATION RESISTANCE:500M $\Omega$  Mini  
 WITHSTAND VOLTAGE:AC 1500 W RMS 50HZ OR 60HZ 1 Min  
 CONTACT RESISTANCE:20m $\Omega$ Max  
 Inductance:350uH minimum  $\square$ Cl with 8mA bias current

**MECHANICAL:**

INSERTION FORCE:2CONTACTS----350g 4 CONTACTS----500g  
 6CONTACTS----750g 8CONTACTS----900g  
 10 CONTACTS----1050g

RETENTION STRENGTH:7.7KG BETWEEN JACK AND PLUG

DURABILITY:750 MATING CYCLES Mini

HOUSING:1)GLASS FILLED PA66(UL 94V-0)  
 2)GLASS FILLED PA46(UL 94V-0)  
 3)CLASS FILLED PBT(UL 94V-0)

MATERIAL: SPRING WIRE:1)0.45mm DIA PHOSPHOR BRONZE GOLD PLATING OVER NICKEL  
 2)0.35mm THICKNESS PHOSPHOR BRONZE ALLOY SELECTIVE  
 GOLD PLATING OVER NICKEL

SHIELDING: 0.24mm THICKNESS COPPER ALLOY WITH TIN PLATED

GOLD PLATING:3 $\mu$ ,6.6 $\mu$ ,15 $\mu$ ,30 $\mu$ ,50 $\mu$

WORKING TEMPERATURE:-40 $\square$ ?70 $\square$

TOLERANCES UNLESS OTHERWISE SPECIFIED :0~10+0.15.10~20+0.2.20~40+0.25.40~70+0.3.970+0.4

**ELECTRICAL SPECIFICATIONS AT 25 $\square$ C**

Insertion Loss dB max	Return Loss dB min			Crosstalk(dB TYP)			Common Mode Rejection(dB TYP)		Hipot(Vrms)
	1-30MHz	30-60MHz	60-80MHz	1-30MHz	30-60MHz	60-80MHz	1-50MHz	50-150MHz	
-1.0	-18	-16	-12	-40	-35	-30	-30	-20	1500

NINGBO RHT ELECTRONIC CO.,LTD

UNITS:mm	SHEET SIZE: A4	SCALE:---	DRWN BY PAN
0~3	3~18	18~50	50~120
$\pm$ 0.12	$\pm$ 0.15	$\pm$ 0.3	$\pm$ 0.5

CHK'D BY FENG	APPR BY ZHAN
---------------	--------------

RJ45 Modular Jack with LED/Transformer (Right PCB Mount)  
 THIRD ANGLE PROJECTION RHTLYL004