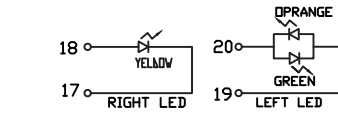
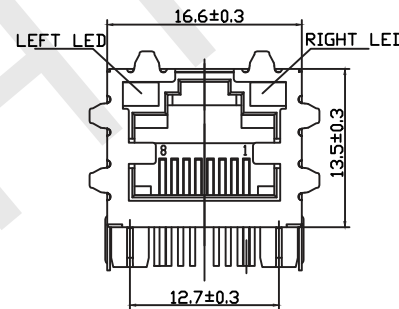
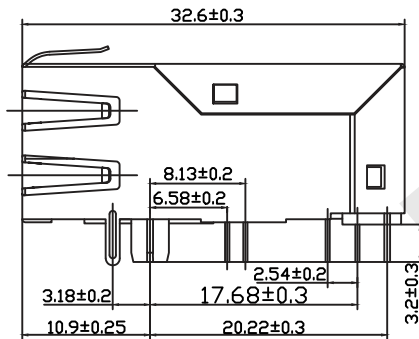


PCB BOARD LAYOUT



RIGHT LED			LEFT LED		
PIN 17	PIN 18	COLOUR	PIN 19	PIN 20	COLOUR
-	+	YELLOW	+	-	ORANGE
-	+	YELLOW	-	+	GREEN

TOLERANCES UNLESS OTHERWISE SPECIFIED
 0~10+0.15, 10~20+0.2, 20~40+0.25,
 40~70±0.3, ≥70±0.4



RHTECP NINGBO RHT ELECTRONIC CO.,LTD

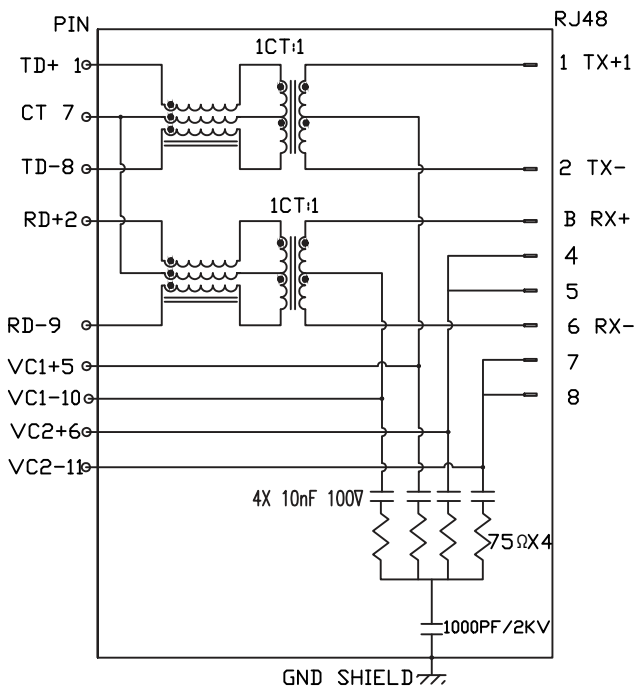
UNITS:mm SHEET SIZE: A4 SCALE:---
 0~3 3~18 18~50 50~120
 ±0.12 ±0.15 ±0.3 ±0.5

DRWN BY PAN
 CHK'D BY FENG
 APPR BY ZHAN

RJ45 Modular Jack with LED/Transformer
 (Right PCB Mount)

THIRD ANGLE PROJECTION

RHTLYL005



SPECIFICATIONS

Meets IEEE802.3 specification
 CURRENT RATING:1.5A
 VOLTAGE RATING:125V AC

ELECTRICAL:

INSULATION RESISTANCE:500M Ω Mini
 WITHSTAND VOLTAGE:AC 1500 W RMS 50HZ OR 60HZ 1 Min
 CONTACT RESISTANCE:20m Ω Max
 Inductance:350uH minimum \square Cl with 8mA bias current

MECHANICAL:

INSERTION FORCE:2CONTACTS----350g 4 CONTACTS----500g
 6CONTACTS----750g 8CONTACTS----900g
 10 CONTACTS----1050g

RETENTION STRENGTH:7.7KG BETWEEN JACK AND PLUG

DURABILITY:750 MATING CYCLES Mini

- HOUSING:1)GLASS FILLED PA66(UL 94V-0)
 2)GLASS FILLED PA46(UL 94V-0)
 3)CLASS FILLED PBT(UL 94V-0)

MATERIAL: SPRING WIRE:1)0.45mm DIA PHOSPHOR BRONZE GOLD PLATING OVER NICKEL
 2)0.35mm THICKNESS PHOSPHOR BRONZE ALLOY SELECTIVE GOLD PLATING OVER NICKEL

SHIELDING: 0.24mm THICKNESS COPPER ALLOY WITH TIN PLATED

GOLD PLATING:3 μ ,6.6 μ ,15 μ ,30 μ ,50 μ

WORKING TEMPERATURE:-40 \square

?70 \square

TOLERANCES UNLESS OTHERWISE SPECIFIED :0~10+0.15.10~20+0.2.20~40+0.25.40~70+0.3.970+0.4

ELECTRICAL SPECIFICATIONS AT 25 \square

Insertion Loss dB max	Return Loss dB min			Crosstalk(dB TYP)			Common Mode Rejection(dB TYP)		Hipot(vrms)
	1-30MHz	30-60MHz	60-80MHz	1-30MHz	30-60MHz	60-80MHz	1-50MHz	50-150MHz	
-1.0	-18	-16	-12	-40	-35	-30	-30	-20	1500



UNITS:mm	SHEET SIZE: A4	SCALE:---	DRWN BY PAN
0~3	3~18	18~50	50~120
\pm 0.12	\pm 0.15	\pm 0.3	\pm 0.5

CHK'D BY FENG	APPR BY ZHAN
---------------	--------------

RJ45 Modular Jack with LED/Transformer (Right PCB Mount)

THIRD ANGLE PROJECTION

RHTLYL005