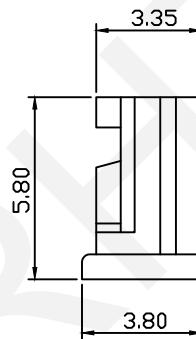
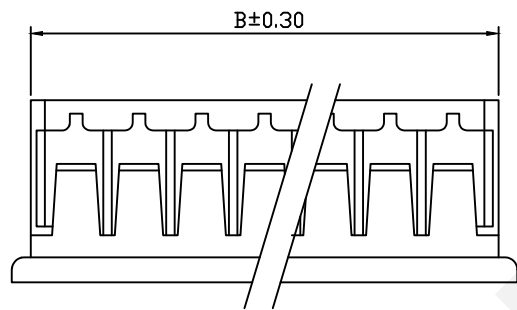
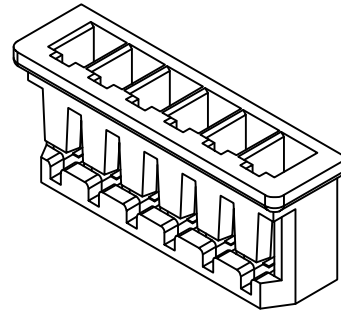
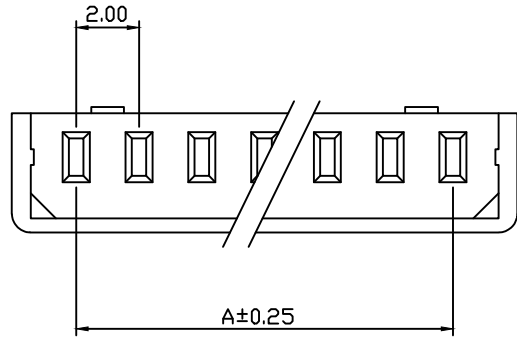


RoHS Compliance



Pin	Dimension(mm)	
	A	B
02	2.00	4.90
03	4.00	6.90
04	6.00	8.90
05	8.00	10.90
06	10.00	12.90
07	12.00	14.90
08	14.00	16.90
09	16.00	18.90
10	18.00	20.90
11	20.00	22.90
12	22.00	24.90
13	24.00	26.90
14	26.00	28.90
15	28.00	30.90

Material:

Housing: PA66,UL94V-0

Electrical Characteristics:

Rated Current : 2.0AMP

Voltage Rating : 125V AC,DC

Temperature Range: -25°C~+85°C

Insulator Resistance: 1000MΩ/Min.

Withstand Voltage: 800V AC/DC

Contact Resistance: 20MΩ/Max

Order Information:

RHTAYL3M-2.00-XX-H

Pitch:2.00mm

XX-No.of 02~15Pin

Type:

T-Terminal H-Hosing

S-Straight Male Pin

R-Right Angle Male Pin

**RHTECP** NINGBO RHT ELECTRONIC CO.,LTD

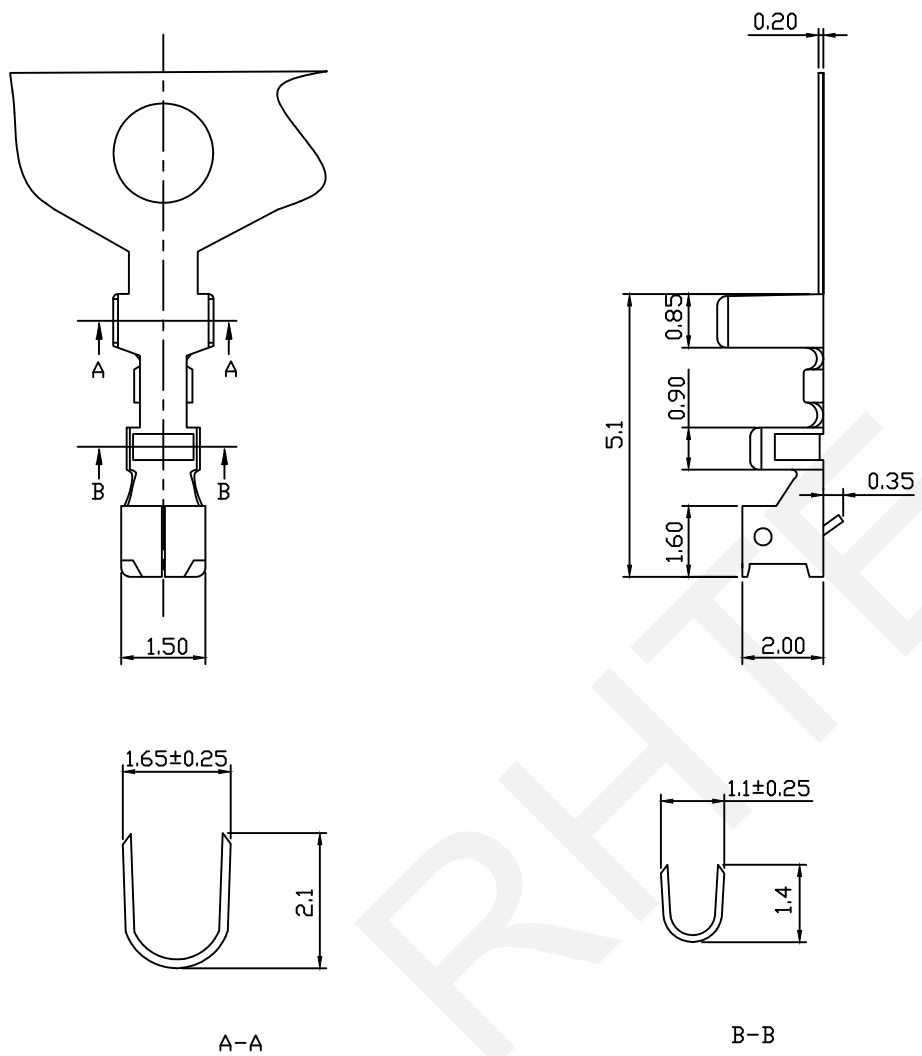
UNITS:mm	SHEET SIZE: A4	SCALE:---	DRWN BY PAN
0~3	3~18	18~50	50~120
±0.12	±0.15	±0.3	±0.5
CHK'D BY FENG		APPR BY ZHAN	

2.00mm Pitch 51004 Type  
Wire To Board Connector

THIRD ANGLE PROJECTION

RHTAYL3M-2.00-XX-H

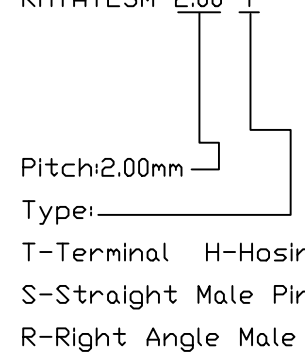
RoHS Compliance



Material:  
 Terminal: Phosphor Bronze  
 Plating: Tin plated  
 Applicable Wires: AWG #24~#30  
 Insulation O.D.: 1.40mm Max  
 Qty/Reel: 10000 Pcs

Electrical Characteristics:  
 Rated Current : 2.0A AC,DC  
 Voltage Rating : 125V AC,DC  
 Temperature Range: -25°C~+85°C  
 Insulator Resistance: 1000MΩ/Min.  
 Withstand Voltage: 800V AC/DC  
 Contact Resistance: 20MΩ/Max

Order Information:  
 RHTAYL3M-2.00-T



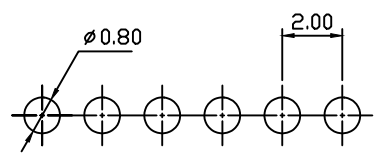
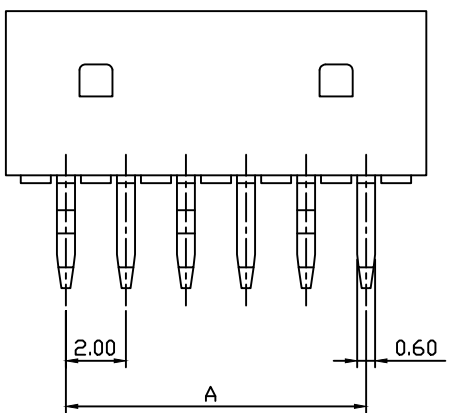
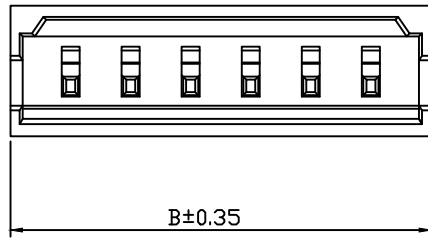
**RHTECP** NINGBO RHT ELECTRONIC CO.,LTD

UNITS:mm	SHEET SIZE: A4	SCALE:---	DRWN BY PAN
0~3	3~18	18~50	50~120
±0.12	±0.15	±0.3	±0.5

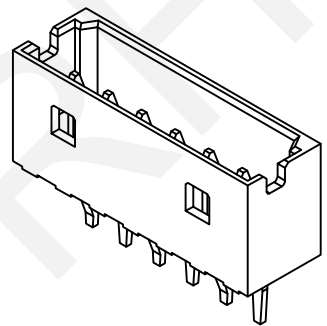
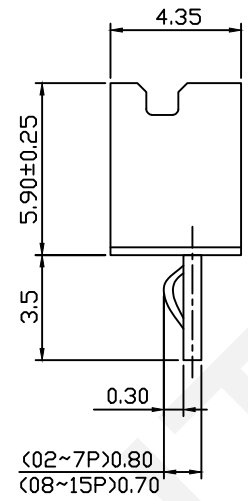
CHK'D BY FENG  
 APPR BY ZHAN

2.00mm Pitch 51004 Type  
 Wire To Board Connector  
 THIRD ANGLE PROJECTION  
  
 RHTAYL3M-2.00-T

RoHS Compliance



Recommended PCB Layout



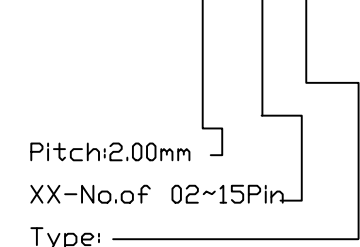
Pin	Dimension(mm)	
	A	B
02	2.00	6.00
03	4.00	8.00
04	6.00	10.00
05	8.00	12.00
06	10.00	14.00
07	12.00	16.00
08	14.00	18.00
09	16.00	20.00
10	18.00	22.00
11	20.00	24.00
12	22.00	26.00
13	24.00	28.00
14	26.00	30.00
15	28.00	32.00

Material:  
 Housing: PA66,UL94V-0  
 Contact:Brass  
 Plating: Tin plated Over Nickel

Electrical Characteristics:  
 Rated Current : 2.0AMP  
 Voltage Rating : 125V AC,DC  
 Temperature Range: -25°C~+85°C  
 Insulator Resistance: 1000MΩ/Min.  
 Withstand Voltage: 800V AC/DC  
 Contact Resistance: 20MΩ/Max

Order Information:

RHTAYL3M-2.00-XX-S



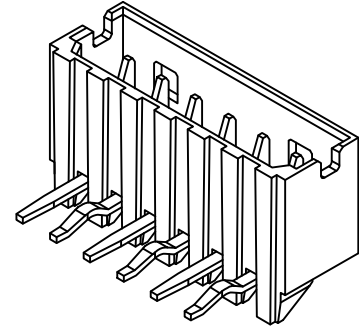
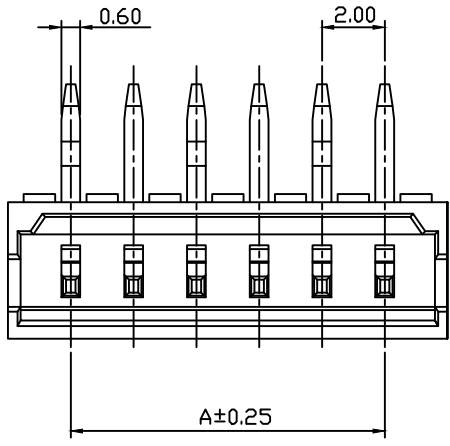
Pitch:2.00mm  
 XX-No.of 02~15Pin  
 Type: \_\_\_\_\_  
 T-Terminal H-Hosing  
 S-Straight Male Pin  
 R-Right Angle Male Pin

NINGBO RHT ELECTRONIC CO.,LTD

UNITS:mm	SHEET SIZE: A4			SCALE:---	DRWN BY PAN
0~3	3~18	18~50	50~120	CHK'D BY FENG	
±0.12	±0.15	±0.3	±0.5	APPR BY ZHAN	

2.00mm Pitch 51004 Type  
 Wire To Board Connector  
 THIRD ANGLE PROJECTION  
 RHTAYL3M-2.00-XX-S

RoHS Compliance



Pin	Dimension(mm)	
	A	B
02	2.00	6.00
03	4.00	8.00
04	6.00	10.00
05	8.00	12.00
06	10.00	14.00
07	12.00	16.00
08	14.00	18.00
09	16.00	20.00
10	18.00	22.00
11	20.00	24.00
12	22.00	26.00
13	24.00	28.00
14	26.00	30.00
15	28.00	32.00

Material:

Housing: PA66,UL94V-0

Contact:Brass

Plating: Tin plated Over Nickel

Electrical Characteristics:

Rated Current : 2.0AMP

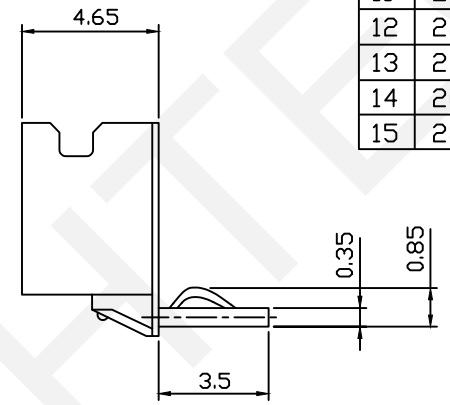
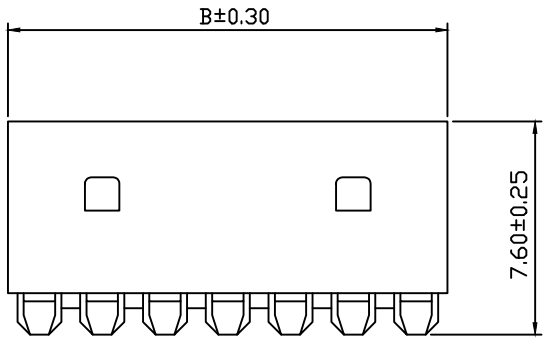
Voltage Rating : 125V AC,DC

Temperature Range: -25°C~+85°C

Insulator Resistance: 1000MΩ/Min.

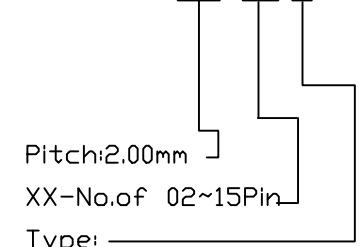
Withstand Voltage: 800V AC/DC

Contact Resistance: 20MΩ/Max



Order Information:

RHTAYL3M-2.00-XX-R



Pitch:2.00mm

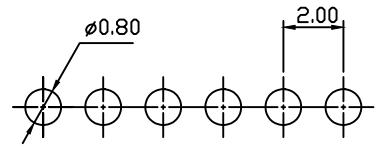
XX-No. of 02~15Pin

Type:

T-Terminal H-Hosing

S-Straight Male Pin

R-Right Angle Male Pin



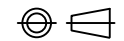
Recommended PCB Layout



NINGBO RHT ELECTRONIC CO.,LTD

UNITS:mm	SHEET SIZE: A4				SCALE:---	DRWN BY PAN
0~3	3~18	18~50	50~120	CHK'D BY FENG	2.00mm Pitch 51004 Type	
±0.12	±0.15	±0.3	±0.5	APPR BY ZHAN	Wire To Board Connector	

THIRD ANGLE PROJECTION



RHTAYL3M-2.00-XX-R