

With Shield

Material:

Housing: PBT+Glass Filled Polyester

Flammability Rating : UL94V-0

Contacts: Phosphor Bronze $\varnothing 0.46\text{mm}$

Plating: Gold Plating

Shield: Brass, Tin Plating

Electrical:

Voltage Rating: 125VAC

Current Rating: 1.5A

Contact Resistance: 30m Ω Max.

Insulation Resistance: 500M Ω Min.

Dielectric Strength: 1000VAC Rms 50Hz, 1 Min.

Durability: 600 cycles Min.

Operation Temperature: -40 $^{\circ}\text{C}$ +85 $^{\circ}\text{C}$

Order Information

RHTLY08-8P8C-1X1-X-G/Y-0-XX

Contacts: 8P8C

Shield Code:

1-with Shield

2-with EMI Shield

3-TOP EMI shield

LED Code: LEFT/RIGHT

G/Y Green/Yellow

Y/G -Yellow/Green

Plating Code:

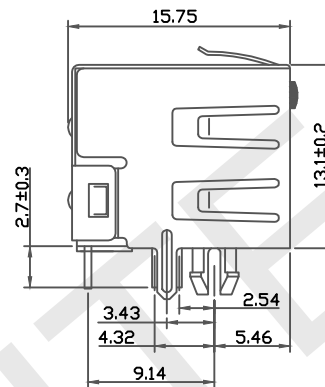
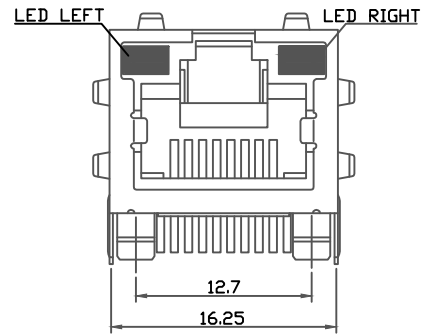
01-1u" Gold Plating

02-3u" Gold Plating

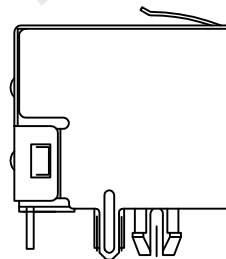
03-6u" Gold Plating

04-15u" Gold Plating

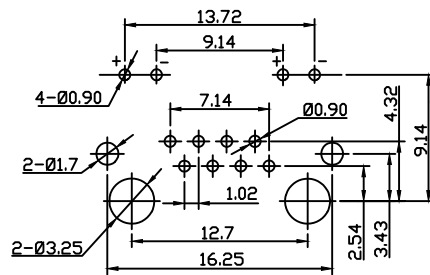
05-30u" Gold Plating



With EMI Shield



TOP EMI Shield



PCB Layout

RHTECP NINGBO RHT ELECTRONIC CO.,LTD

UNITS:mm

SHEET SIZE: A4

SCALE: ---

DRWN BY PAN

Modular jacks with LED,RJ45-8P8C 1X1 with SHELL

0~3

3~18

18~50

50~120

CHK'D BY FENG

THIRD ANGLE PROJECTION

RHTLY08-8P8C 1X1-X-X/X-0-XX

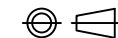
±0.12

±0.15

±0.3

±0.5

APPR BY ZHAN



1

2

3

4

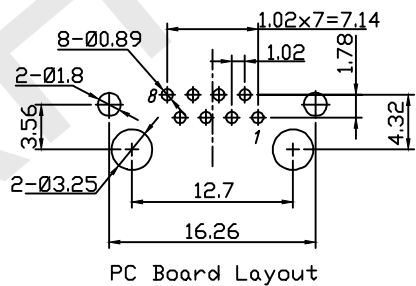
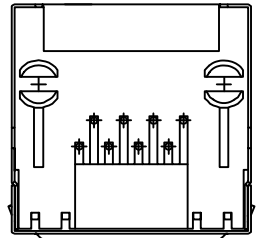
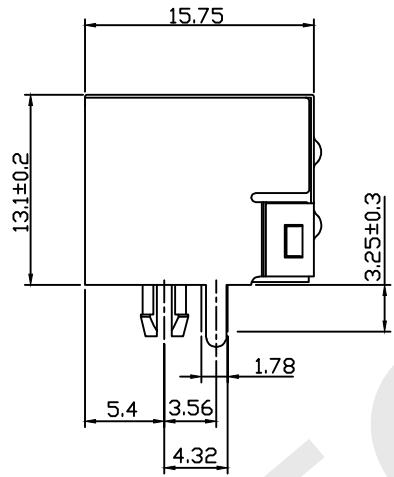
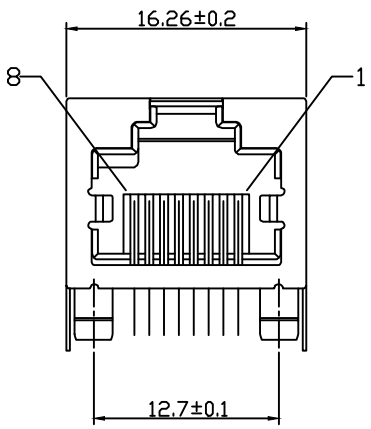
5

6

7

8

9



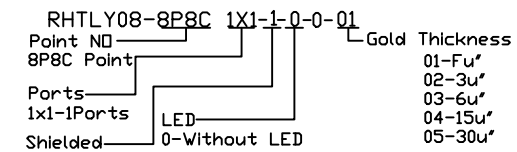
Material:

- 1.Housing:PBT,PA66,PA46,UL94V-0
- 2.Contact:Phosphor Bronze Ø0.46mm
- 3.Shield:0.20mm Thickness Copper Alloy,Nickel Plated
- 4.Plating: Gold plating over nickel.

Electrical:

- 1.Current Rating:1.5A
- 2.Voltage Rating:125VAC
- 3.Contact Resistance:30MΩ Max.
- 4.Insulation Resistance:500MΩ Min @500VDC
- 5.Withstanding Voltage:1000VAC 50Hz or 60Hz 1min
- 6.Durability:750 cycles Min
- 7.Operation:-40℃+85℃

Order Information



RHTECP NINGBO RHT ELECTRONIC CO.,LTD

UNITS:mm	SHEET SIZE: A4			SCALE:---	DRWN BY PAN
0~3	3~18	18~50	50~120	CHK'D BY FENG	
±0.12	±0.15	±0.3	±0.5	APPR BY ZHAN	

Modular jacks RJ45-8P8C Jack
 THIRD ANGLE PROJECTION
 RHTLY08-8P8C-1X1-1-0-0-01