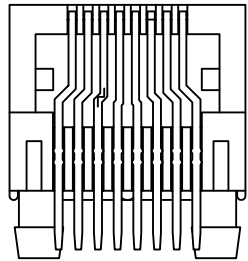
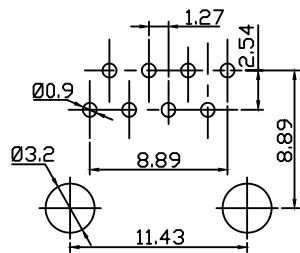


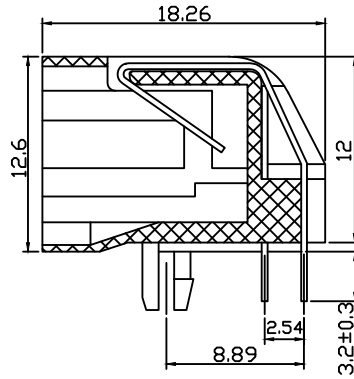
With Panel



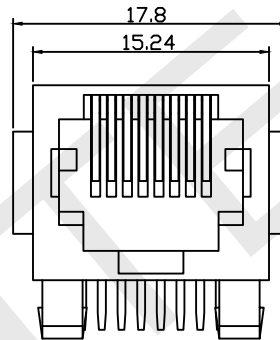
Without Panel



PCB Layout



SECTION A-A



Material:
Housing: PBT+Glass Filled Polyester
Flammability Rating: UL94V-0
Contacts: Phosphor Bronze
Plating: Gold Plating
Electrical:
Voltage Rating: 125VAC
Current Rating: 1.5A
Contact Resistance: 30mΩ Max.
Insulation Resistance: 500MΩ Min.
Dielectric Strength: 1000VAL Rms50Hz, 1 Min.
Durability: 600 cycles Min.
Operation Temperature: -40°C ~ +70°C

Order Information

RHTLY48-8P8C-W-1-XX

Contacts: 8P8C
Panel: W-With Panel
W/O-Without Panel
Color Code:
1-Block

Plating Code:
01-Fu' Gold Plating
02-3u' Gold Plating
03-6u' Gold Plating
04-15u' Gold Plating
05-30u' Gold Plating

RHTECP NINGBO RHT ELECTRONIC CO.,LTD

UNITS:mm	SHEET SIZE: A4			SCALE:---	DRWN BY PAN
0~3	3~18	18~50	50~120	CHK'D BY FENG	
±0.12	±0.15	±0.3	±0.5	APPR BY ZHAN	

THIRD ANGLE PROJECTION



RHTLY48-8P8C-X-X-XX

RJ45-8P8C Modular Jacks