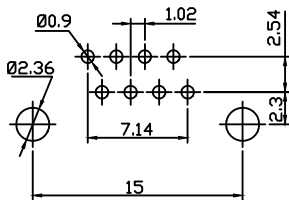
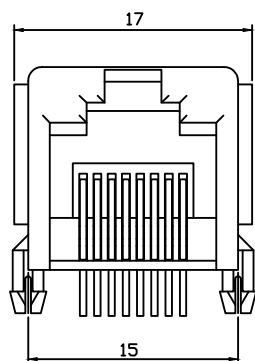


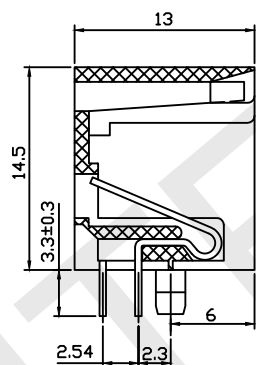
Without Panel



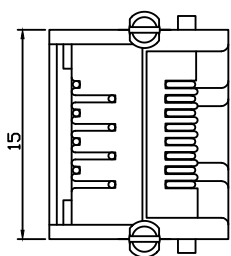
PCB Layout



With Panel



SECTION A-A



Material:

Housing: PBT+Glass Filled Polyester

Flammability Rating : UL 94V-0

Contacts: Phosphor Bronze $\varnothing 0.46\text{mm}$

Plating: Gold Plating

Electrical:

Voltage Rating: 125VAC

Current Rating: 1.5A

Contact Resistance: 30m Ω Max.

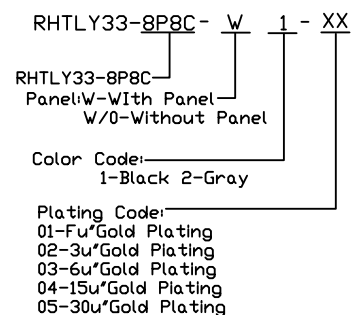
Insulation Resistance: 500M Ω Min.

Dielectric Strength: 1000VAC Rms 50Hz, 1 Min.

Durability: 600 cycles Min.

Operation Temperature: -40 $^{\circ}\text{C}$ +70 $^{\circ}\text{C}$

Order Information



UNITS:mm	SHEET SIZE: A4			SCALE:---	DRWN BY PAN
0~3	3~18	18~50	50~120	CHK'D BY FENG	THIRD ANGLE PROJECTION
±0.12	±0.15	±0.3	±0.5	APPR BY ZHAN	