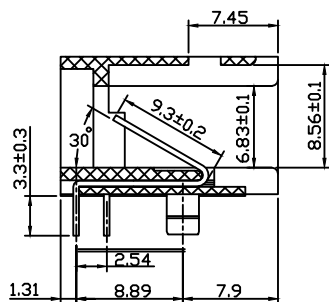
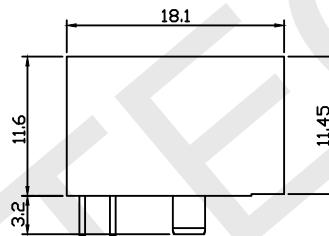
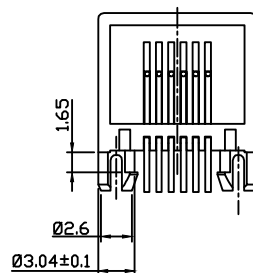


PCB Layout



SECTION A-A



Material:
 Housing:PBT+Glass FilledPolyester
 Flammability Rating : UL 94V-0
 Contacts: Phosphor Bronze Ø0.46mm
 Plating:Gold Plating

Electrical:
 Voltage Rating:125VAC
 Current Rating:1.5A
 Contact Resistance:30mΩ Max.
 Insulation Resistance: 500MΩ Min.
 Dielectric Strength:1000VAC Rms50Hz, 1 Min.
 Durability:600 cycles Min.
 Operation Temperature:-40℃+70℃

Order Information

RHTLY41-6P6C - 1 - XX

Contacts:6P6C
 Color Code:
 1-Black

Plating Code:
 01-Fu'Gold Plating
 02-3u'Gold Plating
 03-6u'Gold Plating
 04-15u'Gold Plating
 05-30u'Gold Plating

NINGBO RHT ELECTRONIC CO.,LTD

UNITS:mm	SHEET SIZE: A4		SCALE:---		DRWN BY PAN
0~3	3~18	18~50	50~120	CHK'D BY FENG	
±0.12	±0.15	±0.3	±0.5	APPR BY ZHAN	

RJ12-6P6C 1X1 Modular Jacks

THIRD ANGLE PROJECTION

RHTLY41-6P6C-1-XX