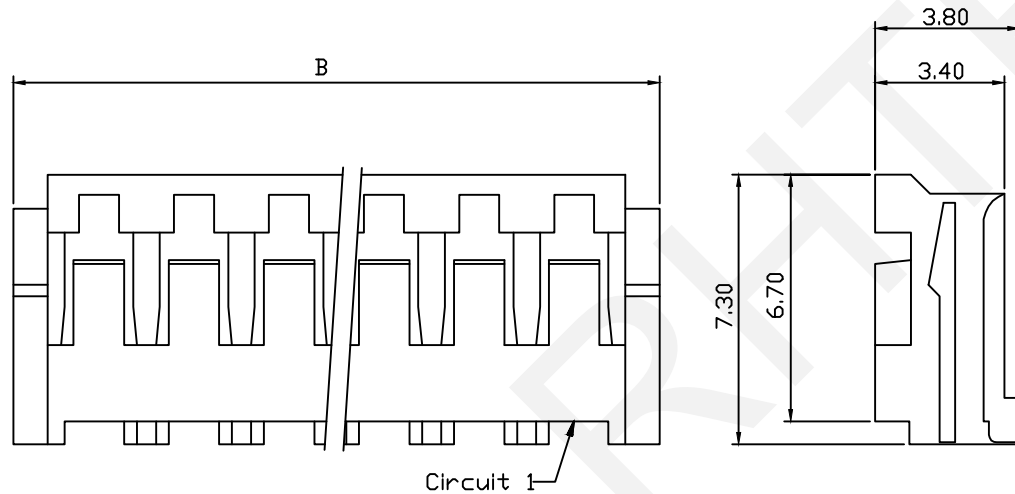
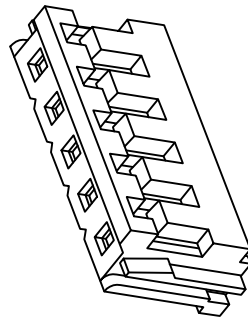
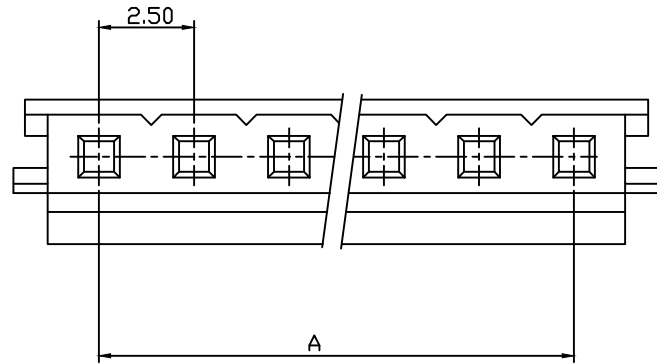


RoHS Compliance



Pin	Dimension(mm)	
	A	B
02	2.50	7.00
03	5.00	9.50
04	7.50	12.00
05	10.00	14.50
06	12.50	17.00
07	15.00	19.50
08	17.50	22.00
09	20.00	24.50
10	22.50	27.00
11	25.00	29.50
12	27.50	32.00
13	30.00	34.50
14	32.50	37.00
15	35.00	39.50

Material:
Housing: PA66,UL94V-0,White

Electrical Characteristics:
Rated Current : 3.0AMP
Voltage Rating : 250V AC,DC
Temperature Range: -25°C~+85°C
Insulator Resistance: 1000MΩ/Min.
Withstanding Voltage: 800V AC/Minute
Contact Resistance: 10MΩ/Max

Order Information:

RHTAYL5-2.50-XX-H

Pitch:2.50mm

XX-No.of 02~15Pin

Type:

T-Terminal H-Hosing

S-Straight Male Pin

R/R1-Right Angle Male Pin

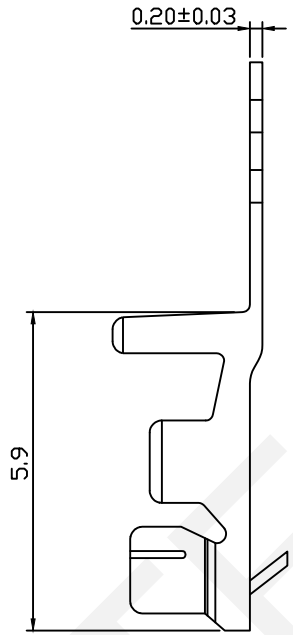
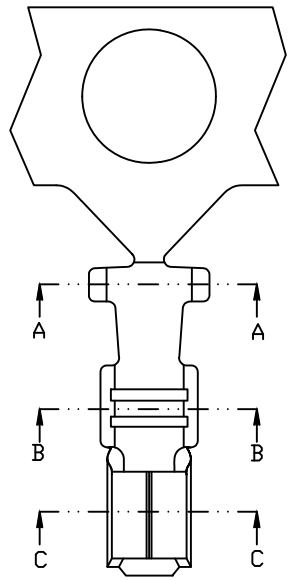
RHTECP NINGBO RHT ELECTRONIC CO.,LTD

UNITS:mm	SHEET SIZE: A4	SCALE:---	DRWN BY PAN
0~3	3~18	18~50	50~120
±0.12	±0.15	±0.3	±0.5

CHK'D BY FENG
APPR BY ZHAN

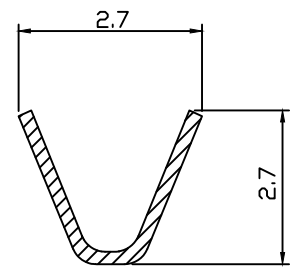
2.50mm Pitch EH Type
Wire To Board Connector
THIRD ANGLE PROJECTION
RHTAYL5-2.50-XX-H

RoHS Compliance

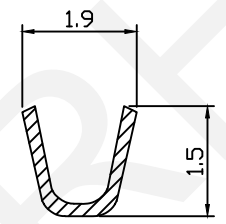


Material:
 Terminal: Phosphor Bronze
 Plating: Tin plated
 Applicable Wires: AWG #22~#24
 Insulation O.D: 1.9mm
 Qty/Reel: 10000 PCS

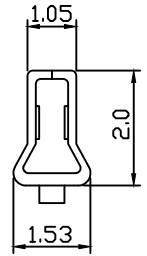
Electrical Characteristics:
 Current Rating : 3.0AMP
 Voltage Rating : 250V AC,DC
 Temperature Range: -25°C~+85°C
 Insulator Resistance: 1000MΩ/Min.
 Withstanding Voltage: 800V AC/Minute
 Contact Resistance: 20MΩ/Max



A-A



B-B



C-C

Order Information:
 RHTAYL5-2.50-T

Pitch: 2.50mm
 Type: _____
 T-Terminal H-Hosing
 S-Straight Male Pin
 R/R1-Right Angle Male Pin

RHTECP NINGBO RHT ELECTRONIC CO.,LTD

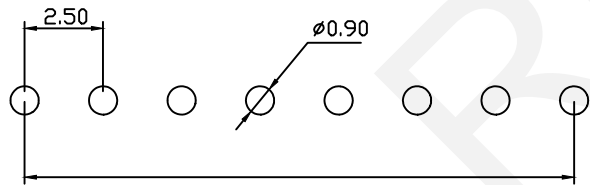
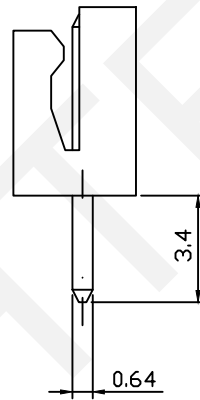
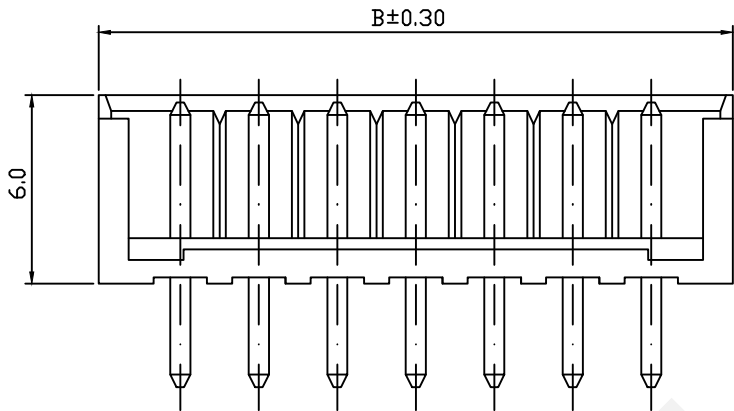
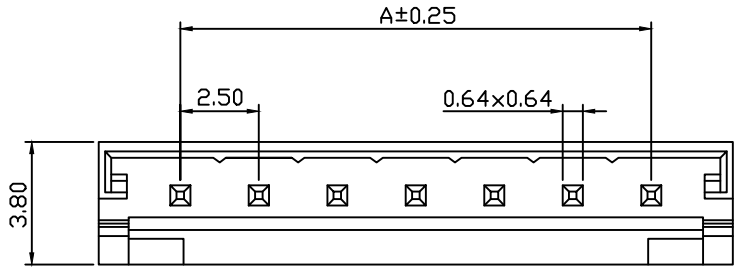
UNITS:mm	SHEET SIZE: A4			SCALE:---	DRWN BY PAN
0~3	3~18	18~50	50~120	CHK'D BY FENG	
±0.12	±0.15	±0.3	±0.5	APPR BY ZHAN	

2.50mm Pitch EH Type
 Wire To Board Connector

THIRD ANGLE PROJECTION

RHTAYL5-2.50-T

RoHS Compliance



Recommended PCB Layout

Material:
Housing: PA66,UL94V-0,White
Contact:Brass
Plating: Tin plate

Electrical Characteristics:

Rated Current : 3.0AMP
Voltage Rating : 250V AC,DC
Temperature Range: -25°C~+85°C
Insulator Resistance: 1000MΩ/Min.
Withstanding Voltage: 800V AC/Minute
Contact Resistance: 20MΩ/Max

Pin	Dimension(mm)	
	A	B
02	2.50	7.50
03	5.00	10.00
04	7.50	12.50
05	10.00	15.00
06	12.50	17.50
07	15.00	20.00
08	17.50	22.50
09	20.00	25.00
10	22.50	27.50
11	25.00	30.00
12	27.50	32.50
13	30.00	35.00
14	32.50	37.50
15	35.00	40.00
16	37.50	42.50

Order Information:

RHTAYL5-2.50-XX-S

Pitch:2.50mm

XX-No.of 02~16Pin

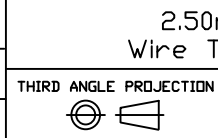
Type: _____

T-Terminal H-Hosing
S-Straight Male Pin
R/R1-Right Angle Male Pin

RHTECP NINGBO RHT ELECTRONIC CO.,LTD

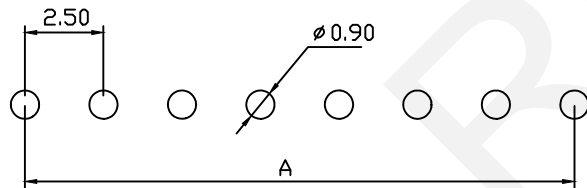
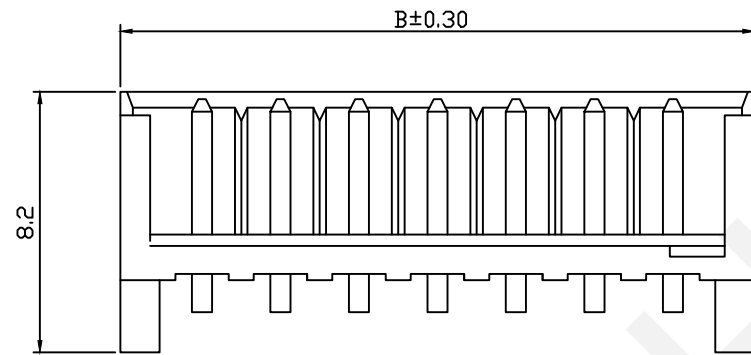
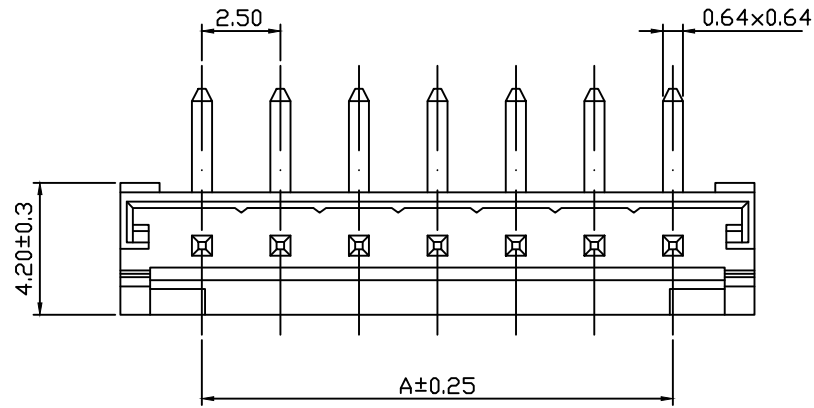
UNITS:mm	SHEET SIZE: A4	SCALE:---	DRWN BY PAN
0~3	3~18	18~50	50~120
±0.12	±0.15	±0.3	±0.5

CHK'D BY FENG
APPR BY ZHAN



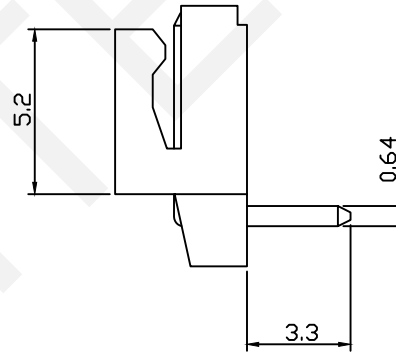
RHTAYL5-2.50-XX-S

RoHS Compliance



Recommended PCB Layout

Pin	Dimension(mm)	
	A	B
02	2.50	7.50
03	5.00	10.00
04	7.50	12.50
05	10.00	15.00
06	12.50	17.50
07	15.00	20.00
08	17.50	22.50
09	20.00	25.00
10	22.50	27.50
11	25.00	30.00
12	27.50	32.50
13	30.00	35.00
14	32.50	37.50
15	35.00	40.00



Material:

Housing: PA66,UL94V-0,White

Contact:Brass

Plating: Tin plate

Electrical Characteristics:

Rated Current : 3.0AMP

Voltage Rating : 250V AC,DC

Temperature Range: -25°C~+85°C

Insulator Resistance: 1000MΩ/Min.

Withstanding Voltage: 800V AC/Minute

Contact Resistance: 20MΩ/Max

Order Information:

RHTAYL5-2.50-XX-R

Pitch:2.50mm

XX-No.of 02~15Pin

Type: _____

T-Terminal H-Hosing

S-Straight Male Pin

R/R1-Right Angle Male Pin



NINGBO RHT ELECTRONIC CO.,LTD

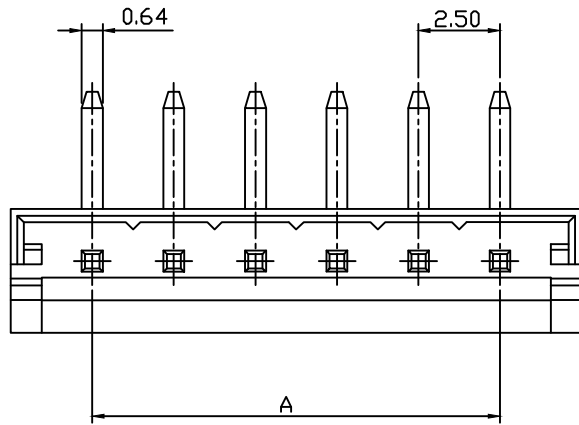
UNITS:mm	SHEET SIZE: A4	SCALE:---	DRWN BY PAN
0~3	3~18	18~50	50~120
±0.12	±0.15	±0.3	±0.5
CHK'D BY FENG		APPR BY ZHAN	

2.50mm Pitch IL-G Type
Wire To Board Connector

THIRD ANGLE PROJECTION

RHTAYL5-2.50-XX-R

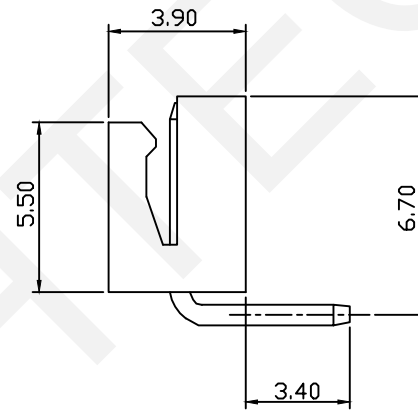
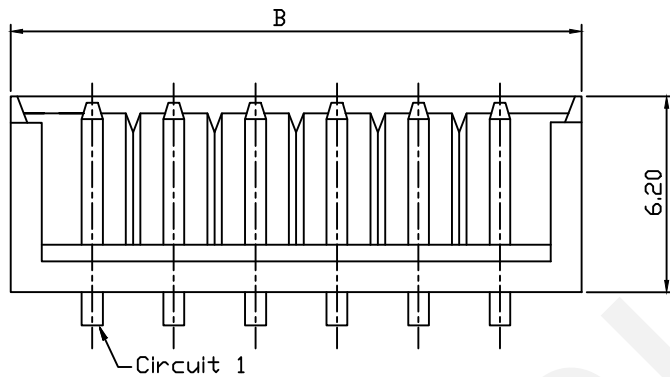
RoHS Compliance



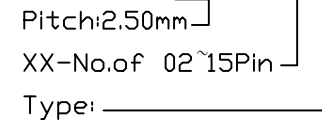
Pin	Dimension(mm)	
	A	B
02	2.50	7.50
03	5.00	10.00
04	7.50	12.50
05	10.00	15.00
06	12.50	17.50
07	15.00	20.00
08	17.50	22.50
09	20.00	25.00
10	22.50	27.50
11	25.00	30.00
12	27.50	32.50
13	30.00	35.00
14	32.50	37.50
15	35.00	40.00

Material:
Housing: PA66,UL94V-0,White
Contact:Brass
Plating: Tin plate

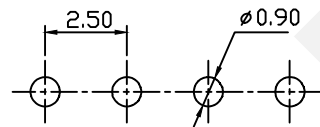
Electrical Characteristics:
Rated Current : 3.0AMP
Voltage Rating : 250V AC,DC
Temperature Range: -25°C~+85°C
Insulator Resistance: 1000MΩ/Min.
Withstanding Voltage: 800V AC/Minute
Contact Resistance: 20MΩ/Max



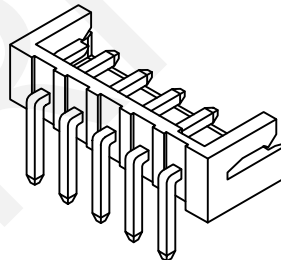
Order Information:
RHTAYL5-2.50-XX-R1



Type: _____
T-Terminal H-Hosing
S-Straight Male Pin
R/R1-Right Angle Male Pin



PCB Layout



UNITS:mm	SHEET SIZE: A4	SCALE:---	DRWN BY PAN
0~3	3~18	18~50	50~120
±0.12	±0.15	±0.3	±0.5
CHK'D BY FENG		APPR BY ZHAN	

2.50mm Pitch IL-G Type
Wire To Board Connector

THIRD ANGLE PROJECTION

RHTAYL5-2.50-XX-R1

RHTECP NINGBO RHT ELECTRONIC CO.,LTD