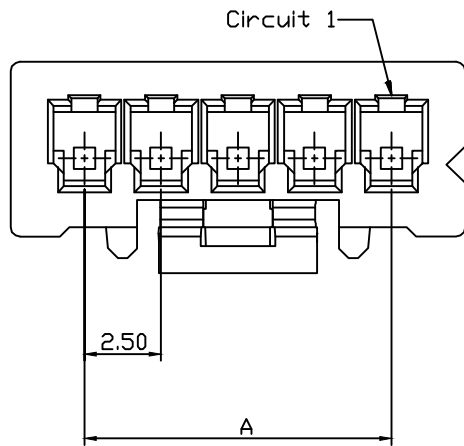


RoHS Compliance



Pin	Dimension(mm)	
	A	B
02	2.50	7.30
03	5.00	9.80
04	7.50	12.30
05	10.00	14.80
06	12.50	17.30
07	15.00	19.80
08	17.50	22.30
09	20.00	24.80
10	22.50	27.30
11	25.00	29.80
12	27.50	32.30
13	30.00	34.80
14	32.50	37.30
15	35.00	39.80
16	37.50	42.30

Material:

Housing: PA66,UL94V-0,White

Electrical Characteristics:

Rated Current: 3.0AMP

Voltage Rating: 250V AC,DC

Temperature Range: -25°C~+85°C

Insulator Resistance: 1000MΩ/Min.

Withstanding Voltage: 1000V AC/Minute

Contact Resistance: 10MΩ/Max

Order Information:

RHTAY2.50A-XX-H

Pitch:2.50mm

XX-No.of 02~16 Pins

Type:

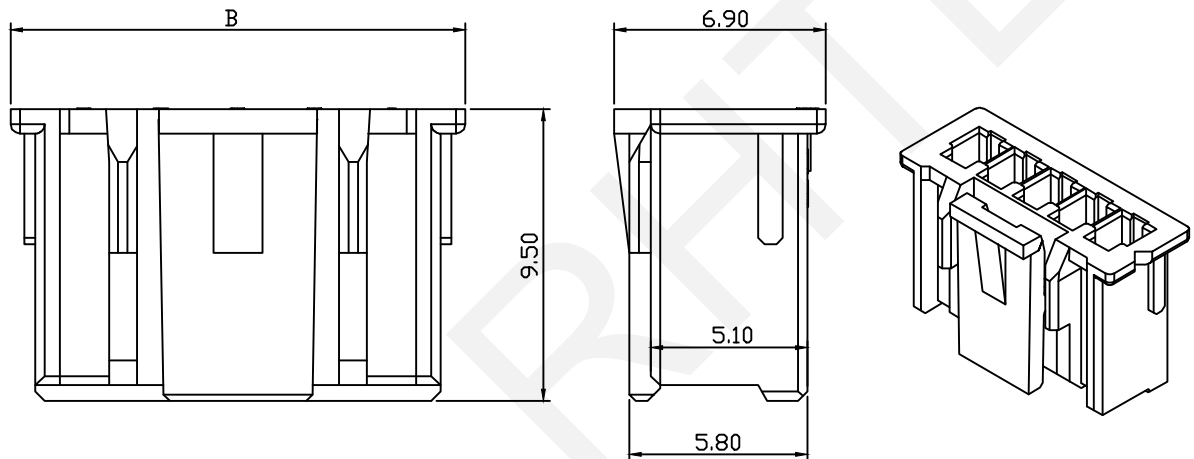
FH/FH2/H-Hosing

FT/MT-Terminal

S/S2-Straight Pin

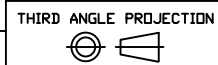
R/R2-Right Angle Pin

RM/VM-SMT Pin



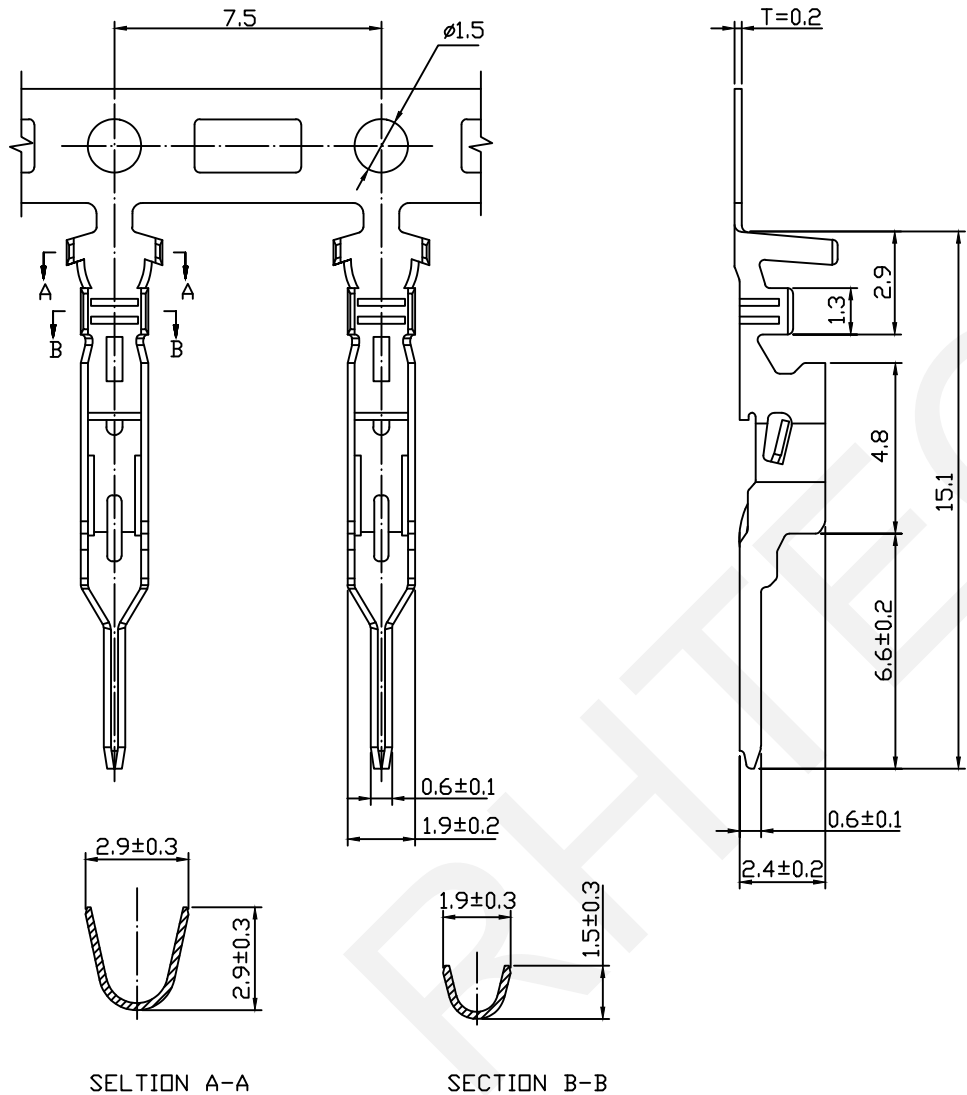
 NINGBO RHT ELECTRONIC CO.,LTD

UNITS:mm	SHEET SIZE: A4				SCALE:---	DRWN BY PAN
0~3	3~18	18~50	50~120	CHK'D BY FENG	2.50mm Pitch XA Type	
±0.12	±0.15	±0.3	±0.5	APPR BY ZHAN	Wire To Board Connector	



RHTAY2.50A-XX-H

RoHS Compliance



Material:  
 Terminal: Phosphor Bronze  
 Rating: Tin plated  
 Applicable Wires: AWG #22~#28  
 Insulation  $\square$ .D:1.6mm

Electrical Characteristics:  
 Rated Current: 3.0AMP  
 Voltage Rating: 250V AC,DC  
 Temperature Range:  $-40^{\circ}\text{C} \sim +105^{\circ}\text{C}$   
 Insulator Resistance: 1000M $\Omega$ /Min.  
 Withstanding Voltage: 1000V AC/Minute  
 Contact Resistance: 10M $\Omega$ /Max  
 After Environmental Testing: 20m $\Omega$  Max

Order Information:  
**RHTAY2.50A-MT**

Pitch: 2.50mm  
 Type: \_\_\_\_\_  
 FH/FH2/H-Hosing  
 FT/MT-Terminal  
 S/S2-Straight Pin  
 R/R2-Right Angle Pin  
 RM/VM-SMT Pin

**RHTECP** NINGBO RHT ELECTRONIC CO.,LTD

UNITS:mm	SHEET SIZE: A4	SCALE:---	DRWN BY PAN
0~3	3~18	18~50	50~120
$\pm 0.12$	$\pm 0.15$	$\pm 0.3$	$\pm 0.5$

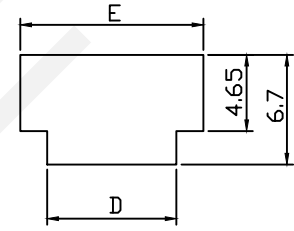
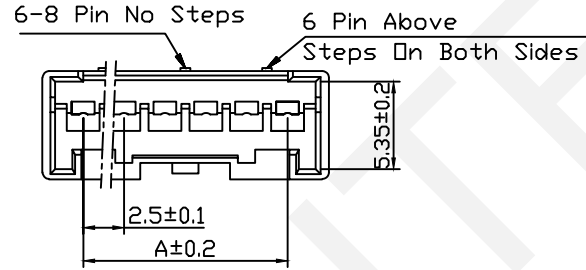
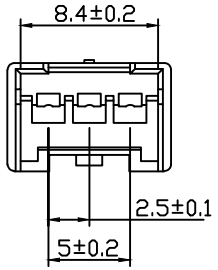
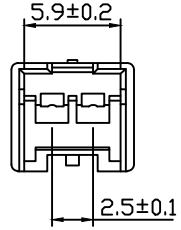
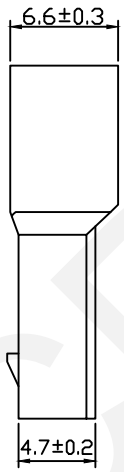
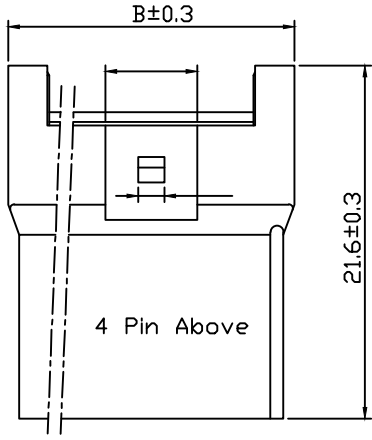
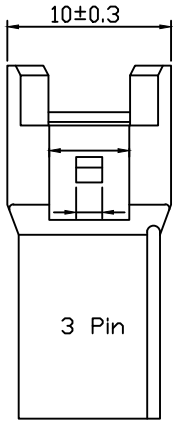
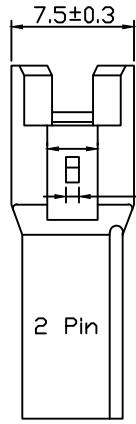
CHK'D BY FENG  
 APPR BY ZHAN

2.50mm Pitch XA Type  
 Wire To Board Connector

THIRD ANGLE PROJECTION

RHTAY2.50A-MT

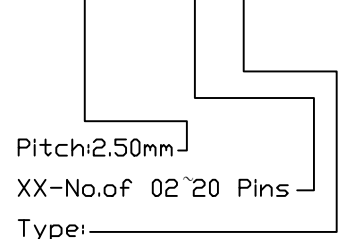
RoHS Compliance



Material:  
Housing: PA66,UL94V-0,Natrual Color

Electrical Characteristics:  
Rated Current: 3.0AMP  
Voltage Rating: 250V AC,DC  
Temperature Range: -40°C~+105°C  
Insulator Resistance: 1000MΩ/Min.  
Withstanding Voltage: 1000V AC/Minute  
Contact Resistance: 20MΩ/Max

Order Information:  
RHTAY2.50A-XX-FH



Pitch:2.50mm  
XX-No.of 02~20 Pins  
Type: \_\_\_\_\_  
FH/FH2/H-Hosing  
FT/MT-Terminal  
S/S2-Straight Pin  
R/R2-Right Angle Pin  
RM/VM-SMT Pin

Pin	Dimension(mm)					Pin	Dimension(mm)				
	A	B	C	D	E		A	B	C	D	E
02	2.50	7.50	5.90	7.90	11.20	10	22.50	27.50	25.90	27.90	31.20
03	5.00	10.00	8.40	10.40	13.70	11	25.00	30.00	28.40	30.40	33.70
04	7.50	12.50	10.90	12.90	16.20	12	27.50	32.50	30.90	32.90	36.20
05	10.00	15.00	13.40	15.40	18.70	13	30.00	35.00	33.40	35.40	38.70
06	12.50	17.50	15.90	17.90	21.20	14	32.50	37.50	35.90	37.90	41.20
07	15.00	20.00	18.40	20.40	23.70	15	35.00	40.00	38.40	40.40	43.70
08	17.50	22.50	20.90	22.90	26.20	20	47.50	52.50	50.90	52.90	56.20
09	20.00	25.00	23.40	25.40	28.70						

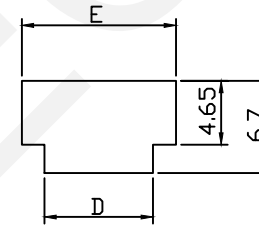
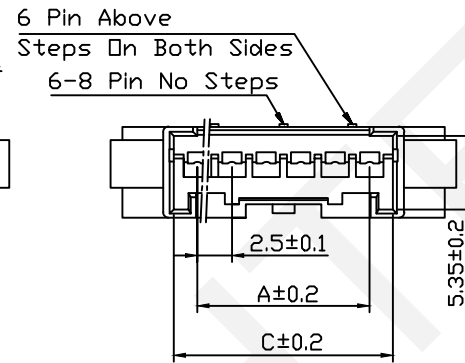
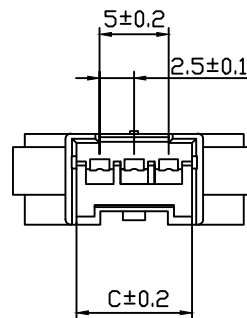
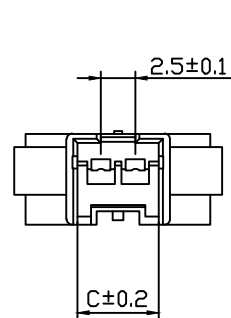
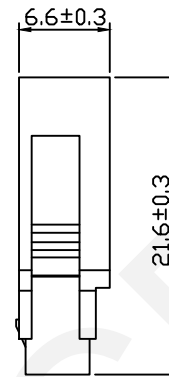
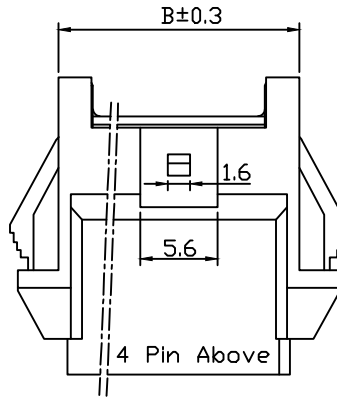
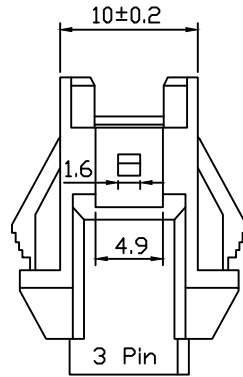
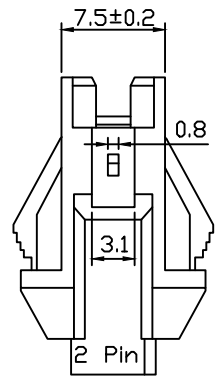
**RHTECP** NINGBO RHT ELECTRONIC CO.,LTD

UNITS:mm SHEET SIZE: A4 SCALE:---  
0~3 3~18 18~50 50~120  
±0.12 ±0.15 ±0.3 ±0.5

DRWN BY PAN  
CHK'D BY FENG  
APPR BY ZHAN

2.50mm Pitch XA Type  
Wire To Board Connector  
THIRD ANGLE PROJECTION  
RHTAY2.50A-XX-FH

RoHS Compliance



Material:  
Housing: PA66,UL94V-0,Natrual Color

Electrical Characteristics:  
Rated Current: 3.0AMP  
Voltage Rating: 250V AC,DC  
Temperature Range: -40°C~+105°C  
Insulator Resistance: 1000MΩ/Min.  
Withstanding Voltage: 1000V AC/Minute  
Contact Resistance: 20MΩ/Max

Order Information:

RHTAY2.50A-XX-FH2

Pitch:2.50mm  
XX-No.of 02~20 Pins  
Type:

FH/FH2/H-Hosing  
FT/MT-Terminal  
S/S2-Straight Pin  
R/R2-Right Angle Pin  
RM/VM-SMT Pin

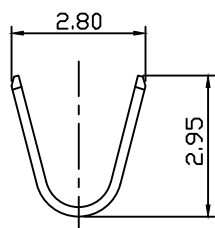
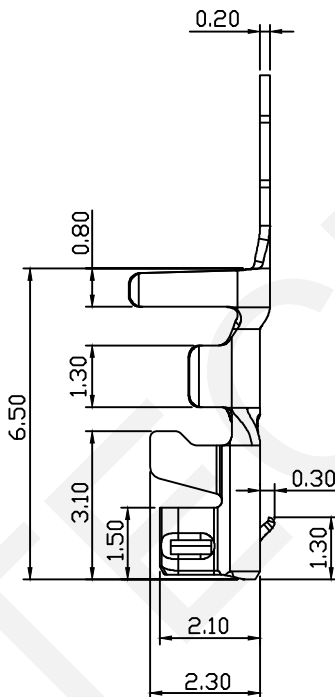
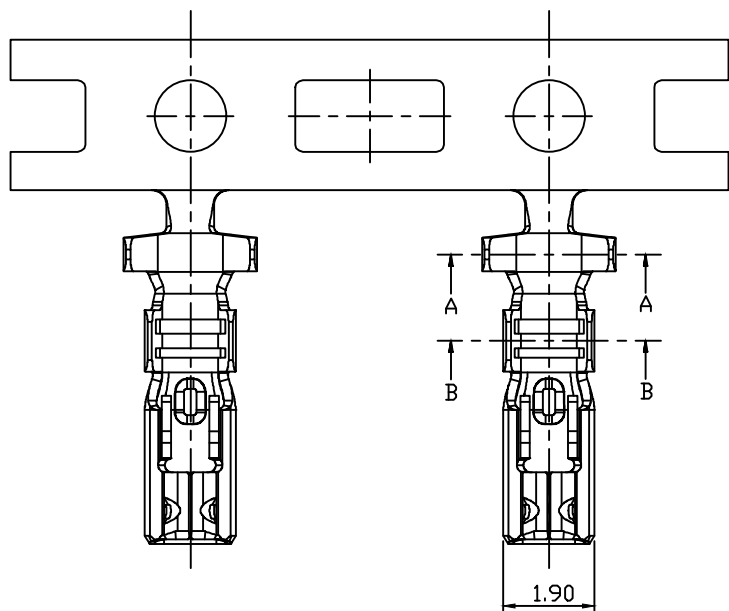
Pin	Dimension(mm)					Pin	Dimension(mm)				
	A	B	C	D	E		A	B	C	D	E
02	2.50	7.50	5.90	7.90	11.20	10	22.50	27.50	25.90	27.90	31.20
03	5.00	10.00	8.40	10.40	13.70	11	25.00	30.00	28.40	30.40	33.70
04	7.50	12.50	10.90	12.90	16.20	12	27.50	32.50	30.90	32.90	36.20
05	10.00	15.00	13.40	15.40	18.70	13	30.00	35.00	33.40	35.40	38.70
06	12.50	17.50	15.90	17.90	21.20	14	32.50	37.50	35.90	37.90	41.20
07	15.00	20.00	18.40	20.40	23.70	15	35.00	40.00	38.40	40.40	43.70
08	17.50	22.50	20.90	22.90	26.20	20	47.50	52.50	50.90	52.90	56.20
09	20.00	25.00	23.40	25.40	28.70						

**RHTECP** NINGBO RHT ELECTRONIC CO.,LTD

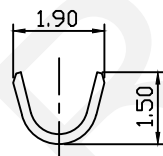
UNITS:mm SHEET SIZE: A4 SCALE:---  
DRWN BY PAN  
0~3 3~18 18~50 50~120  
CHK'D BY FENG  
±0.12 ±0.15 ±0.3 ±0.5  
APPR BY ZHAN

2.50mm Pitch XA Type  
Wire To Board Connector  
THIRD ANGLE PROJECTION  
 RHTAY2.50A-XX-FH2

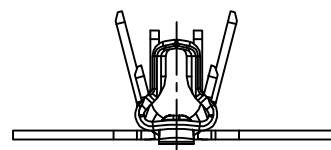
RoHS Compliance



A-A



B-B



Material:

Terminal: Phosphor Bronze

Rating: Tin plated

Applicable Wires: AWG #20~#28

Insulation O.D:1.9mm

Qty/Reel:8000PCS

Electrical Characteristics:

Rated Current: 3.0AMP

Voltage Rating: 250V AC,DC

Temperature Range: -25°C~+85°C

Insulator Resistance: 1000MΩ/Min.

Withstanding Voltage: 1000V AC/Minute

Contact Resistance: 10MΩ/Max

Order Information:

RHTAY2.50A-FT

Pitch:2.50mm

Type:

FH/FH2/H-Hosing

FT/MT-Terminal

S/S2-Straight Pin

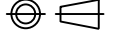
R/R2-Right Angle Pin

RM/VM-SMT Pin

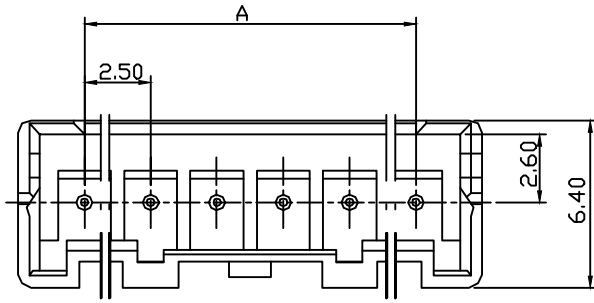
 NINGBO RHT ELECTRONIC CO.,LTD

UNITS:mm	SHEET SIZE: A4	SCALE:---	DRWN BY PAN
0~3	3~18	18~50	50~120
±0.12	±0.15	±0.3	±0.5

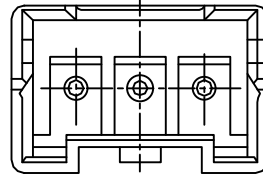
CHK'D BY FENG  
APPR BY ZHAN

2.50mm Pitch XA Type  
Wire To Board Connector  
THIRD ANGLE PROJECTION  
 RHTAY2.50A-FT

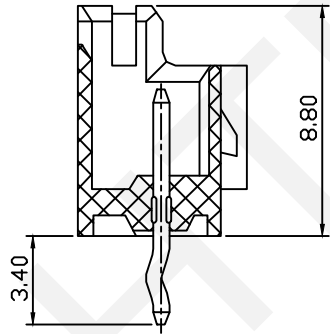
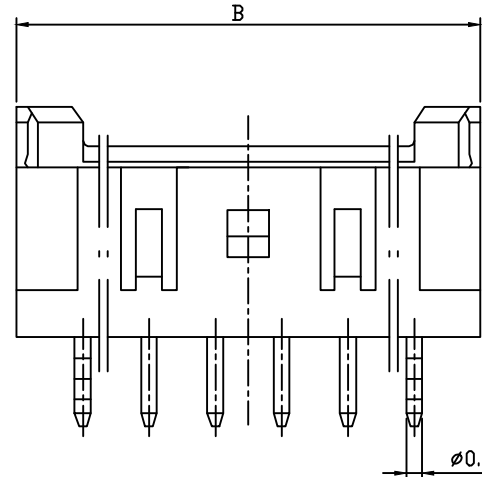
RoHS Compliance



04P Above



02P~03P



Pin	Dimension(mm)	
	A	B
02	2.50	7.50
03	5.00	10.00
04	7.50	12.50
05	10.00	15.00
06	12.50	17.50
07	15.00	20.00
08	17.50	22.50
09	20.00	25.00
10	22.50	27.50
11	25.00	30.00
12	27.50	32.50
13	30.00	35.00
14	32.50	37.50
15	35.00	40.00
16	37.50	42.50

Material:

PIN:Phosphor Bronze,Tin-plated

Wafer:PA66, UL94V-0,Natrual

Electrical Characteristics:

Rated Current: 3.0AMP

Voltage Rating: 250V AC,DC

Temperature Range: -25°C~+85°C

Insulator Resistance: 1000MΩ/Min.

Withstanding Voltage: 1000V AC/Minute

Contact Resistance: 10MΩ/Max

Order Information:

RHTAY2.50A-XX-S

Pitch:2.50mm

XX-No.of 02~16 Pins

Type: \_\_\_\_\_

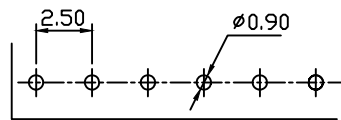
FH/FH2/H-Hosing

FT/MT-Terminal

S/S2-Straight Pin

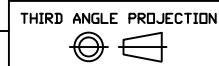
R/R2-Right Angle Pin

RM/VM-SMT Pin



PCB Layout

UNITS:mm	SHEET SIZE: A4	SCALE:---	DRWN BY PAN
0~3	3~18	18~50	50~120
±0.12	±0.15	±0.3	±0.5
			CHK'D BY FENG
			APPR BY ZHAN

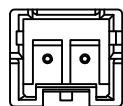
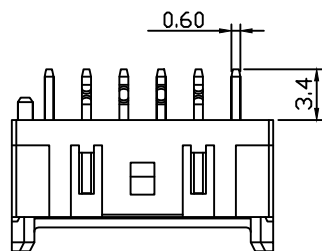


2.50mm Pitch XA Type  
Wire To Board Connector

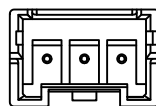
RHTAY2.50A-XX-S

**RHTECP** NINGBO RHT ELECTRONIC CO.,LTD

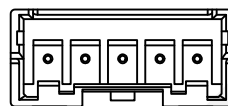
RoHS Compliance



2 Pin



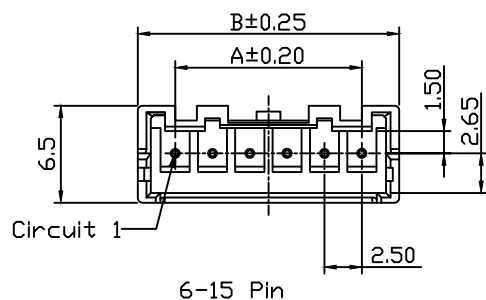
3 Pin



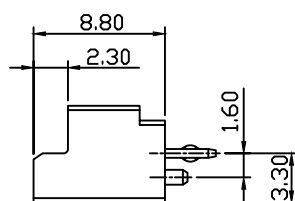
4~5 Pin

Material:  
Pin: Brass, Tin plated  
Wafer: PA66, UL94V-0, Natural

Electrical Characteristics:  
Rated Current: 3.0AMP  
Voltage Rating: 250V AC, DC  
Temperature Range: -40°C~+105°C  
Insulator Resistance: 1000MΩ/Min.  
Withstanding Voltage: 1000V AC/Minute  
Contact Resistance: 10MΩ/Max  
After Environmental Testing: 20mΩ Max



6-15 Pin



Pin	Dimension(mm)	
	A	B
02	2.50	7.50
03	5.00	10.00
04	7.50	12.50
05	10.00	15.00
06	12.50	17.50
07	15.00	20.00
08	17.50	22.50
09	20.00	25.00
10	22.50	27.50
11	25.00	30.00
12	27.50	32.50
13	30.00	35.00
-	-	-
20	47.50	52.50

Order Information:

RHTAY2.50A-XX-S2

Pitch: 2.50mm

XX-No. of 02~20 Pins

Type:

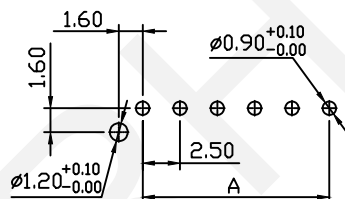
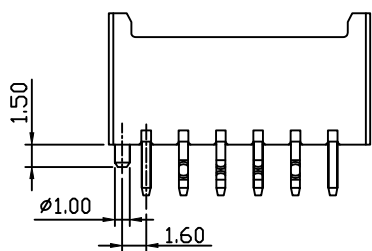
FH/FH2/H-Hosing

FT/MT-Terminal

S/S2-Straight Pin

R/R2-Right Angle Pin

RM/VM-SMT Pin

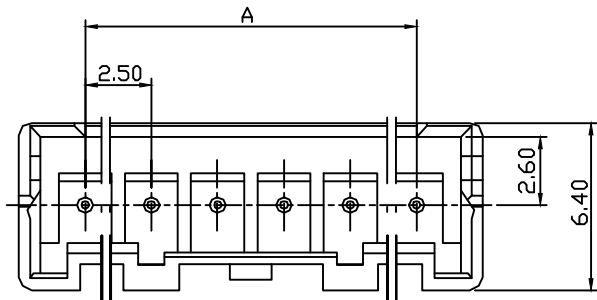


**RHTECP** NINGBO RHT ELECTRONIC CO.,LTD

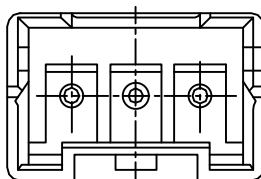
UNITS:mm	SHEET SIZE: A4	SCALE:---	DRWN BY PAN
0~3	3~18	18~50	50~120
±0.12	±0.15	±0.3	±0.5
CHK'D BY FENG			APPR BY ZHAN

2.50mm Pitch XA Type  
Wire To Board Connector  
THIRD ANGLE PROJECTION  
 RHTAY2.50A-XX-S2

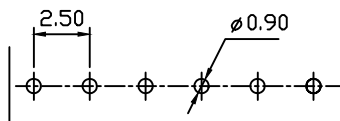
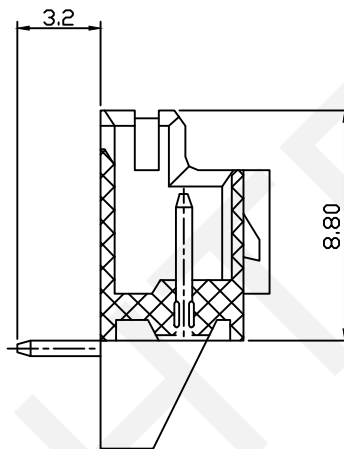
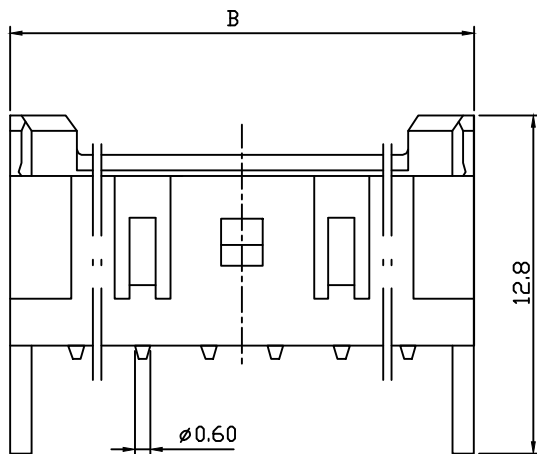
RoHS Compliance



04P Above



02P 03P



PCB Layout

Material:

PIN: Phosphor Bronze, Tin-plated

Wafer: PA66, UL94V-0, Natural

Electrical Characteristics:

Rated Current: 3.0AMP

Voltage Rating: 250V AC, DC

Temperature Range: -25°C ~ +85°C

Insulator Resistance: 1000MΩ/Min.

Withstanding Voltage: 1000V AC/Minute

Contact Resistance: 10MΩ/Max

Pin	Dimension(mm)	
	A	B
02	2.50	7.50
03	5.00	10.00
04	7.50	12.50
05	10.00	15.00
06	12.50	17.50
07	15.00	20.00
08	17.50	22.50
09	20.00	25.00
10	22.50	27.50
11	25.00	30.00
12	27.50	32.50
13	30.00	35.00
14	32.50	37.50
15	35.00	40.00
16	37.50	42.50

Order Information:

RHTAY2.50A-XX-R

Pitch: 2.50mm

XX-No. of 02~16 Pins

Type:

FH/FH2/H-Hosing

FT/MT-Terminal

S/S2-Straight Pin

R/R2-Right Angle Pin

RM/VM-SMT Pin

**RHTECP** NINGBO RHT ELECTRONIC CO.,LTD

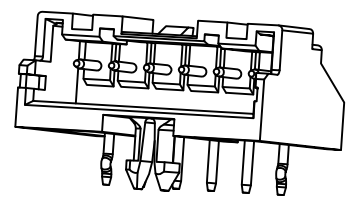
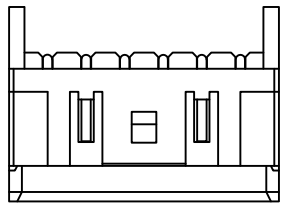
UNITS:mm	SHEET SIZE: A4	SCALE:---	DRWN BY PAN
0~3	3~18	18~50	50~120
±0.12	±0.15	±0.3	±0.5

CHK'D BY FENG  
APPR BY ZHAN

2.50mm Pitch XA Type  
Wire To Board Connector  
THIRD ANGLE PROJECTION  
 RHTAY2.50A-XX-R

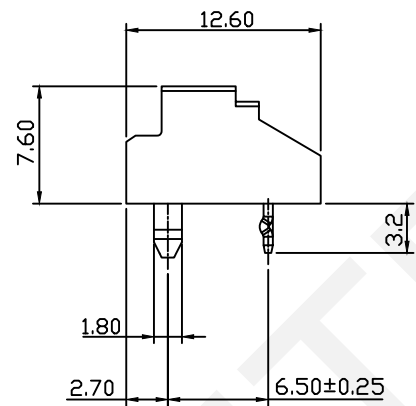
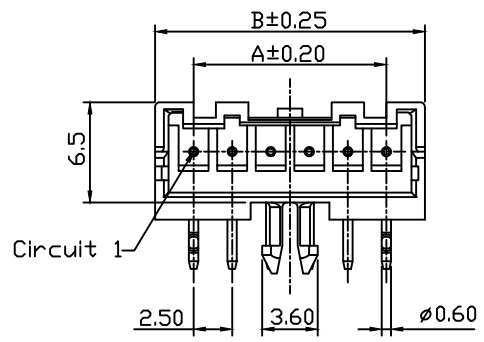


RoHS Compliance

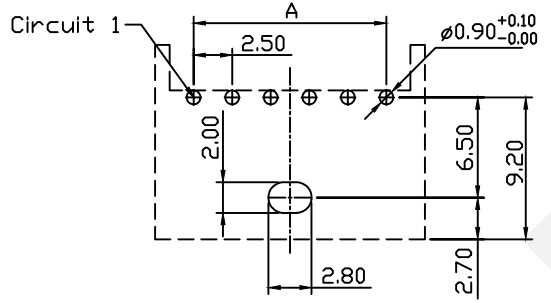


Material:  
 PIN: Phosphor Bronze, Tin-plated  
 Wafer: PA66, UL94V-0, Natural

Electrical Characteristics:  
 Rated Current: 3.0AMP  
 Voltage Rating: 250V AC,DC  
 Temperature Range: -25°C~+85°C  
 Insulator Resistance: 1000MΩ/Min.  
 Withstanding Voltage: 1000V AC/Minute  
 Contact Resistance: 10MΩ/Max



Pin	Dimension(mm)	
	A	B
02	2.50	7.50
03	5.00	10.00
04	7.50	12.50
05	10.00	15.00
06	12.50	17.50
07	15.00	20.00
08	17.50	22.50
09	20.00	25.00
10	22.50	27.50
11	25.00	30.00
12	27.50	32.50
13	30.00	35.00
14	32.50	37.50
15	35.00	40.00



Recommended P.C.B Layout T=1.60mm  
 (Tolerance±0.05)

Order Information:  
RHTAY2.50A-XX-R2  
 Pitch: 2.50mm  
 XX-No. of 02~15 Pins  
 Type: \_\_\_\_\_  
 FH/FH2/H-Hosing  
 FT/MT-Terminal  
 S/S2-Straight Pin  
 R/R2-Right Angle Pin  
 RM/VM-SMT Pin

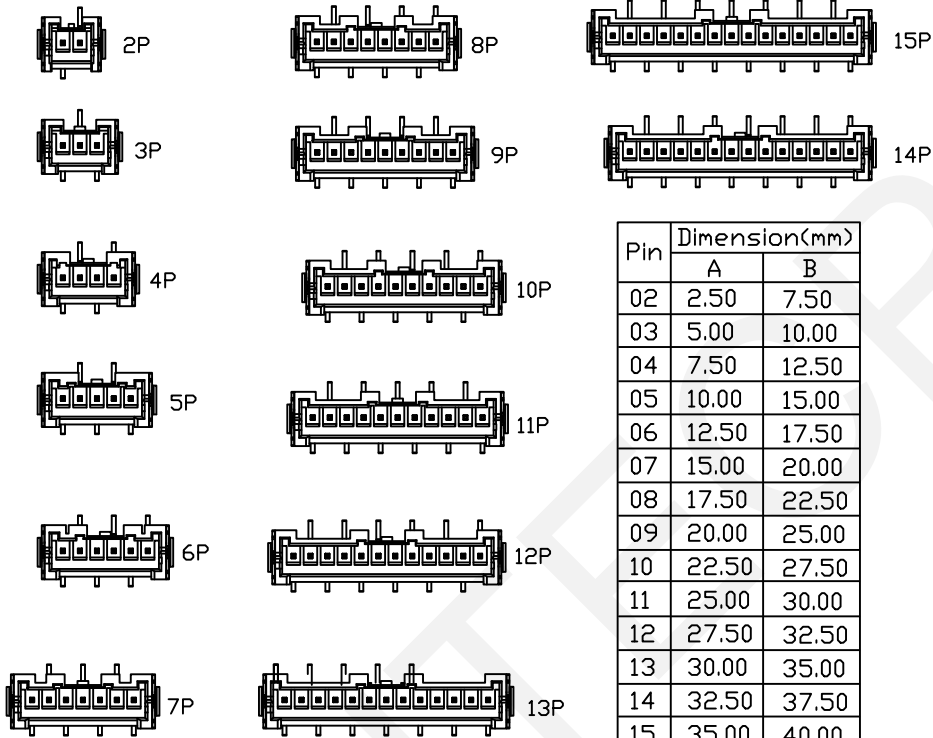
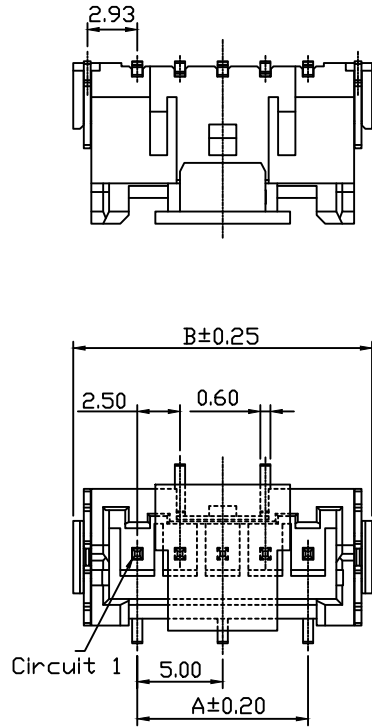


NINGBO RHT ELECTRONIC CO.,LTD

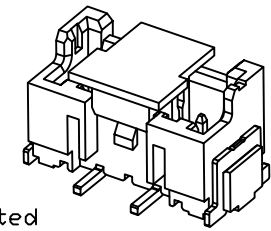
UNITS:mm	SHEET SIZE: A4			SCALE:---	DRWN BY PAN
0~3	3~18	18~50	50~120	CHK'D BY FENG	THIRD ANGLE PROJECTION 
±0.12	±0.15	±0.3	±0.5	APPR BY ZHAN	

2.50mm Pitch XA Type  
 Wire To Board Connector  
 RHTAY2.50A-XX-R2

RoHS Compliance



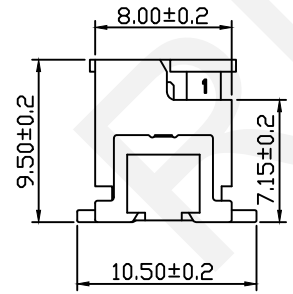
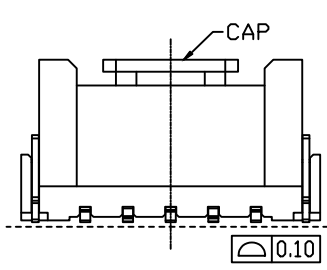
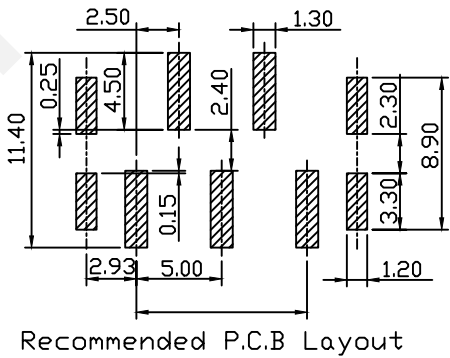
Pin	Dimension(mm)	
	A	B
02	2.50	7.50
03	5.00	10.00
04	7.50	12.50
05	10.00	15.00
06	12.50	17.50
07	15.00	20.00
08	17.50	22.50
09	20.00	25.00
10	22.50	27.50
11	25.00	30.00
12	27.50	32.50
13	30.00	35.00
14	32.50	37.50
15	35.00	40.00



Material: Brass, Tin plated  
 Wafer: PA9T, UL94V-0, Natural  
 Electrical Characteristics:  
 Rated Current: 3.0AMP  
 Voltage Rating: 250V AC, DC  
 Temperature Range: -40°C~+105°C  
 Insulator Resistance: 1000MΩ/Min.  
 Withstanding Voltage: 1000V AC/Minute  
 Contact Resistance: 10mΩ/Max  
 After Environmental Testing: 20mΩ Max

Order Information:  
**RHTAY2.50A-XX-VM-X**

Pitch: 2.50mm  
 XX-No. of 02~15 Pins  
 Type: \_\_\_\_\_  
 FH/FH2/H-Hosing  
 FT/MT-Terminal  
 S/S2-Straight Pin  
 R/R2-Right Angle Pin  
 RM/VM-SMT Pin  
 Packing: \_\_\_\_\_  
 0=PE Bag R=Reel M=Reel+Mylar



UNITS:mm	SHEET SIZE: A4	SCALE:---	DRWN BY PAN
0~3	3~18	18~50	50~120
±0.12	±0.15	±0.3	±0.5
CHK'D BY FENG		APPR BY ZHAN	

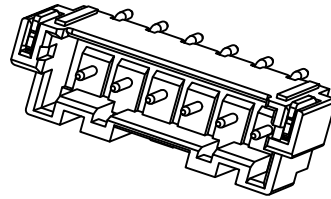
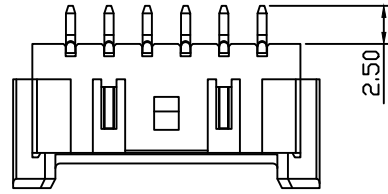
2.50mm Pitch XA Type  
 Wire To Board Connector

THIRD ANGLE PROJECTION

RHTAY2.50A-XX-VM-X

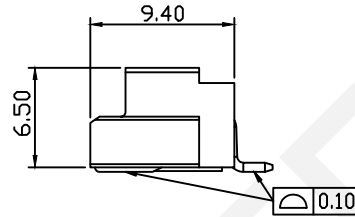
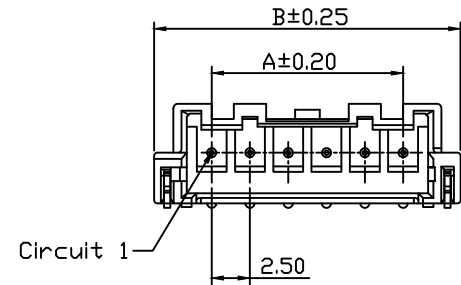
**RHTECP** NINGBO RHT ELECTRONIC CO.,LTD

RoHS Compliance



Material:  
Pin: Brass, Tin plated  
Wafer: PA9T, UL94V-0, Natural

Electrical Characteristics:  
Rated Current: 3.0AMP  
Voltage Rating: 250V AC, DC  
Temperature Range: -40°C~+105°C  
Insulator Resistance: 1000MΩ/Min.  
Withstanding Voltage: 1000V AC/Minute  
Contact Resistance: 10MΩ/Max  
After Environmental Testing: 20mΩ Max



Pin	Dimension(mm)	
	A	B
02	2.50	10.00
03	5.00	12.50
04	7.50	15.00
05	10.00	17.50
06	12.50	20.00
07	15.00	22.50
08	17.50	25.00
09	20.00	27.50
10	22.50	30.00
11	25.00	32.50
12	27.50	35.00
13	30.00	37.50
14	32.50	40.00
15	35.00	42.50

Order Information:

RHTAY2.50A-XX-RM-X

Pitch: 2.50mm

XX-No. of 02~15 Pins

Type:

FH/FH2/H-Hosing

FT/MT-Terminal

S/S2-Straight Pin

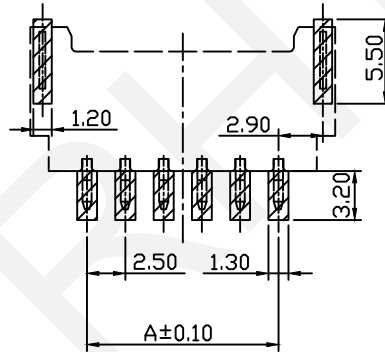
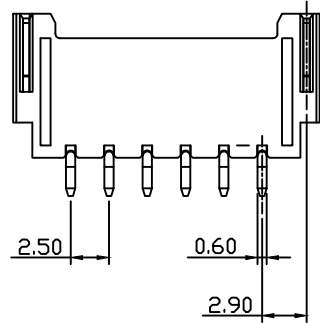
R/R2-Right Angle Pin

RM/VM-SMT Pin

Packing:

0=PE R=Reel M=Reel+Mylar

Recommended P.C.B Layout T=1.60mm  
(Tolerance±0.05)



**RHTECP** NINGBO RHT ELECTRONIC CO.,LTD

UNITS:mm	SHEET SIZE: A4	SCALE:---	DRWN BY PAN
0~3	3~18	18~50	50~120
±0.12	±0.15	±0.3	±0.5

CHK'D BY FENG  
APPR BY ZHAN

2.50mm Pitch XA Type  
Wire To Board Connector  
THIRD ANGLE PROJECTION  
 RHTAY2.50A-XX-RM-X