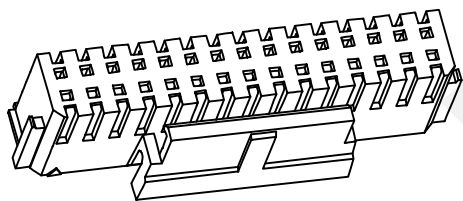
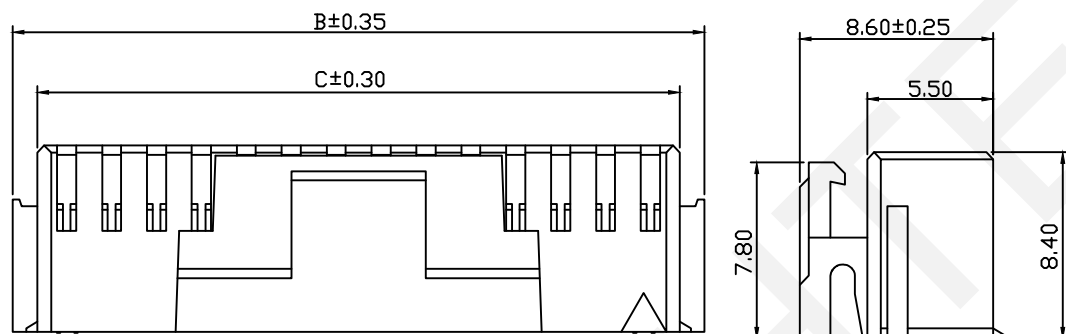
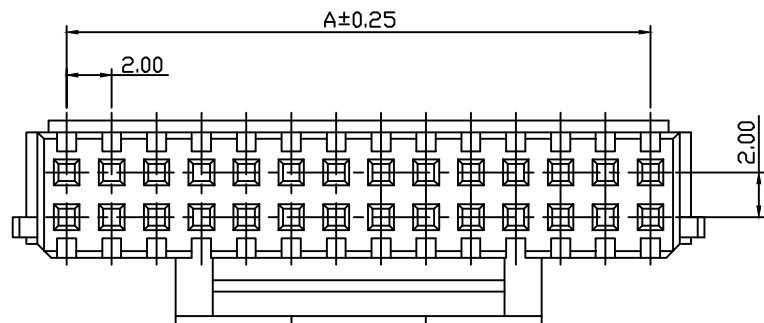


RoHS Compliance



Pin	Dimension(mm)		
	A	B	C
2x02	2.00	6.70	4.70
2x03	4.00	8.70	6.70
2x04	6.00	10.70	8.70
2x05	8.00	12.70	10.70
2x06	10.00	14.70	12.70
2x07	12.00	16.70	14.70
2x08	14.00	18.70	16.70
2x09	16.00	20.70	18.70
2x10	18.00	22.70	20.70
2x11	20.00	24.70	22.70
2x12	22.00	26.70	24.70
2x13	24.00	28.70	26.70
2x14	26.00	30.70	28.70
2x15	28.00	32.70	30.70
2x16	30.00	34.70	32.70
2x17	32.00	36.70	34.70
2x18	34.00	38.70	36.70
2x19	36.00	40.70	38.70
2x20	38.00	42.70	40.70

Material:

Housing: PA66,UL94V-0

Electrical Characteristics:

Current Rating : 2.0AMP
 Voltage Rating : 250V AC,DC
 Temperature Range: $-25^{\circ}\text{C} \sim +85^{\circ}\text{C}$
 Insulator Resistance: 1000M Ω /Min.
 Withstand Voltage: 800V AC/DC
 Contact Resistance: 20M Ω /Max

Order Information:

RHTAY4-2.00-2xXX-H

Pitch:2.00mm

Pins:2-Double Layer

XX-No.of 02~20Pins

Type:

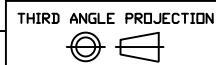
T-Terminal H-Hosing

S-Straight Male Pin

R/R1-Right Angle Male Pin

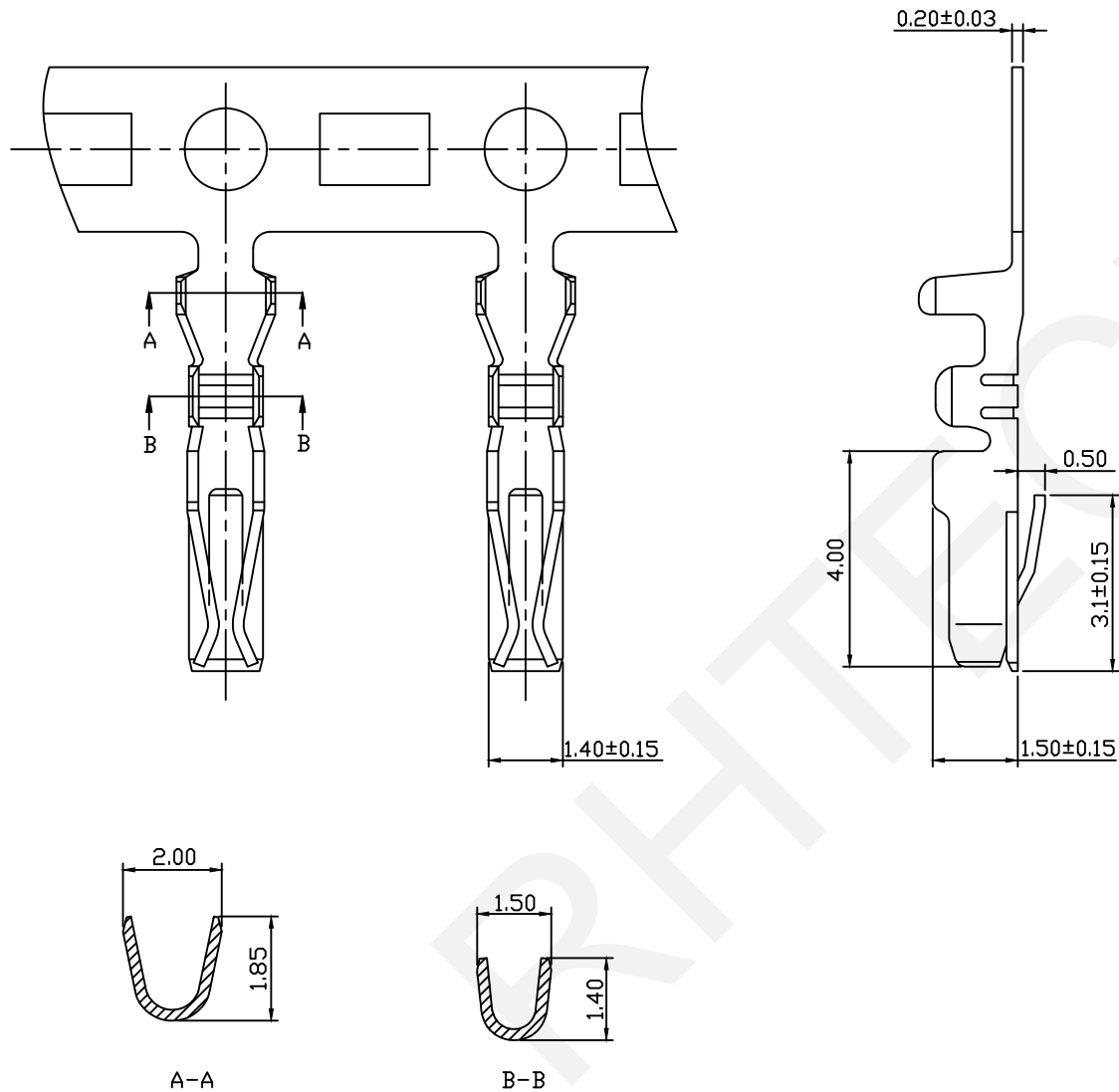
 NINGBO RHT ELECTRONIC CO.,LTD

UNITS:mm	SHEET SIZE: A4				SCALE:---	DRWN BY PAN
0~3	3~18	18~50	50~120	CHK'D BY FENG	THIRD ANGLE PROJECTION	
±0.12	±0.15	±0.3	±0.5	APPR BY ZHAN	RHTAY4-2.00-2xXX-H	



RHTAY4-2.00-2xXX-H

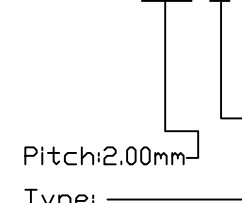
RoHS Compliance



Material:
 Terminal: Phosphor Bronze
 Plating: Tin Plated Over Nickel
 Applicable Wires: AWG #28~#24
 Insulation O.D: 1.60mm
 Qty/Reel: 15000 PCS

Electrical Characteristics:
 Current Rating : 2.0AMP
 Voltage Rating : 250V AC,DC
 Temperature Range: -25°C~+85°C
 Insulator Resistance: 1000MΩ/Min.
 Withstand Voltage: 800V AC/DC
 Contact Resistance: 20MΩ/Max

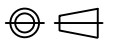
Order Information:
 RHTAY4-2.00-T



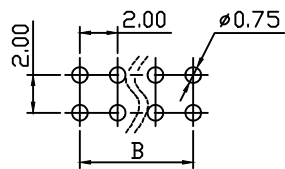
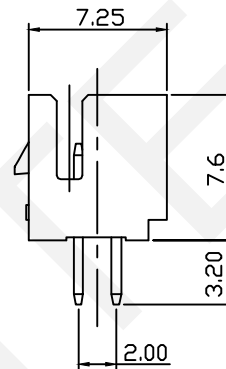
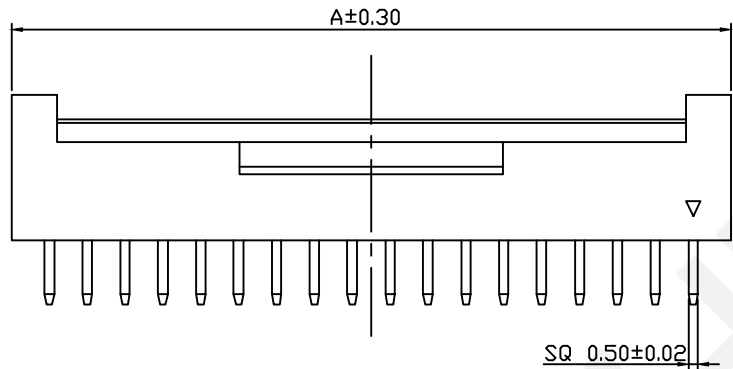
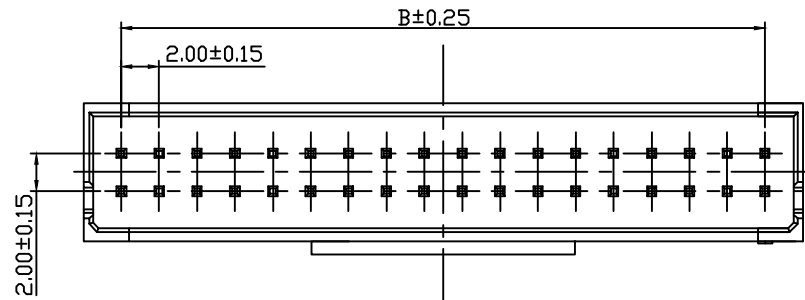
Pitch: 2.00mm
 Type: _____
 T-Terminal H-Hosing
 S-Straight Male Pin
 R/R1-Right Angle Male Pin

RHTECP NINGBO RHT ELECTRONIC CO.,LTD

UNITS:mm	SHEET SIZE: A4			SCALE:---	DRWN BY PAN
0~3	3~18	18~50	50~120	CHK'D BY FENG	
±0.12	±0.15	±0.3	±0.5	APPR BY ZHAN	

2.00mm Pitch PHSD Double With Lock Type Wire To Board Connector
 THIRD ANGLE PROJECTION

 RHTAY4-2.00-T

RoHS Compliance



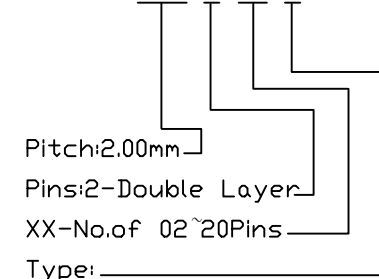
Recommended PCB Layout
Tolerance±0.05

Material:
Housing: PA66,UL94V-2
Contact:Brass
Plating: Tin Plated Over Nickel

Pin	Dimension(mm)	
	A	B
2x03	8.00	4.00
2x04	10.00	6.00
2x05	12.00	8.00
2x06	14.00	10.00
2x07	16.00	12.00
2x08	18.00	14.00
2x09	20.00	16.00
2x10	22.00	18.00
2x11	24.00	20.00
2x12	26.00	22.00
2x13	28.00	24.00
2x14	30.00	26.00
2x15	32.00	28.00
2x16	34.00	30.00
2x17	36.00	32.00
2x18	38.00	34.00
2x19	40.00	36.00
2x20	42.00	38.00

Electrical Characteristics:
Current Rating : 2.0AMP
Voltage Rating : 250V AC,DC
Temperature Range: -25°C~+85°C
Insulator Resistance: 1000MΩ/Min.
Withstand Voltage: 800V AC/DC
Contact Resistance: 20MΩ/Max

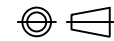
Order Information:
RHTAY4-2.00-2xXX-S



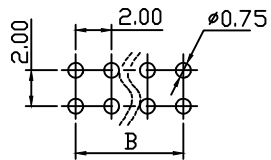
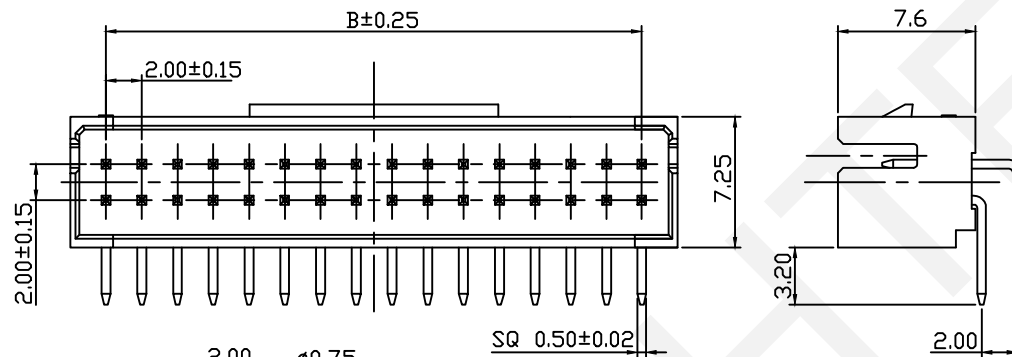
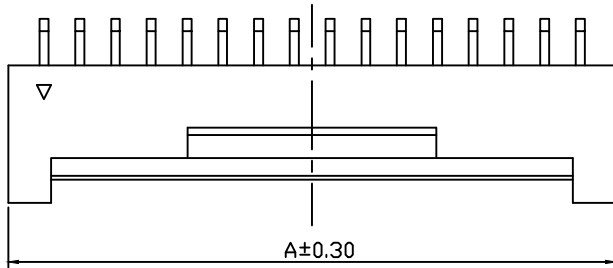
Type: _____
T-Terminal H-Hosing
S-Straight Male Pin
R/R1-Right Angle Male Pin

RHTECP NINGBO RHT ELECTRONIC CO.,LTD

UNITS:mm	SHEET SIZE: A4			SCALE:---	DRWN BY PAN
0~3	3~18	18~50	50~120	CHK'D BY FENG	
±0.12	±0.15	±0.3	±0.5	APPR BY ZHAN	

2.00mm Pitch PHSD Double With
Lock Type Wire To Board Connector
THIRD ANGLE PROJECTION
 RHTAY4-2.00-2xXX-S

RoHS Compliance



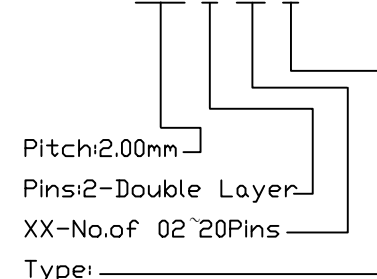
Recommended PCB Layout
Tolerance±0.05

Pin	Dimension(mm)	
	A	B
2x03	8.00	4.00
2x04	10.00	6.00
2x05	12.00	8.00
2x06	14.00	10.00
2x07	16.00	12.00
2x08	18.00	14.00
2x09	20.00	16.00
2x10	22.00	18.00
2x11	24.00	20.00
2x12	26.00	22.00
2x13	28.00	24.00
2x14	30.00	26.00
2x15	32.00	28.00
2x16	34.00	30.00
2x17	36.00	32.00
2x18	38.00	34.00
2x19	40.00	36.00
2x20	42.00	38.00

Material:
Housing: PA66,UL94V-2
Contact:Brass
Plating: Tin Plated Over Nickel

Electrical Characteristics:
Current Rating : 2.0AMP
Voltage Rating : 250V AC,DC
Temperature Range: -25°C~+85°C
Insulator Resistance: 1000MΩ/Min.
Withstand Voltage: 800V AC/DC
Contact Resistance: 20MΩ/Max

Order Information:
RHTAY4-2.00-2xXX-R



Pitch:2.00mm
Pins:2-Double Layer
XX-No.of 02~20Pins
Type: _____
T-Terminal H-Hosing
S-Straight Male Pin
R/R1-Right Angle Male Pin

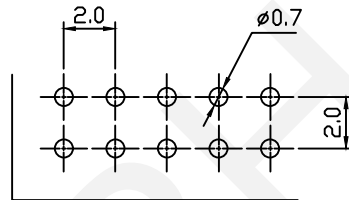
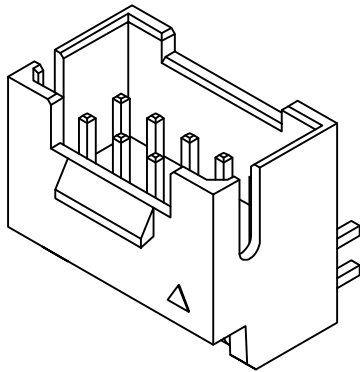
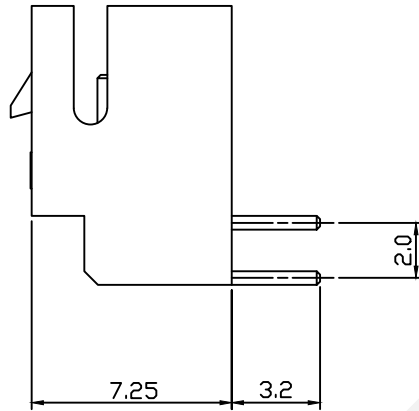
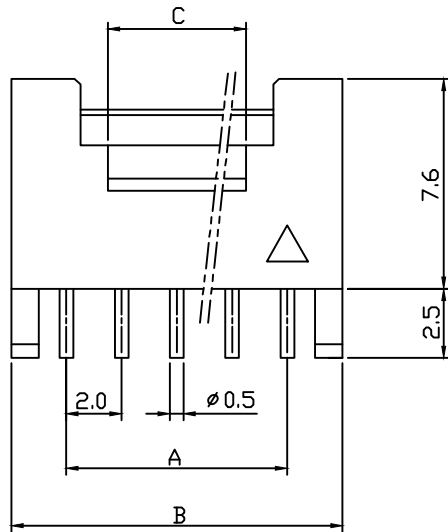


NINGBO RHT ELECTRONIC CO.,LTD

UNITS:mm	SHEET SIZE: A4	SCALE:---	DRWN BY PAN
0~3	3~18	18~50	50~120
±0.12	±0.15	±0.3	±0.5
			CHK'D BY FENG
			APPR BY ZHAN

2.00mm Pitch PHSD Double With
Lock Type Wire To Board Connector
THIRD ANGLE PROJECTION
RHTAY4-2.00-2xXX-R

RoHS Compliance



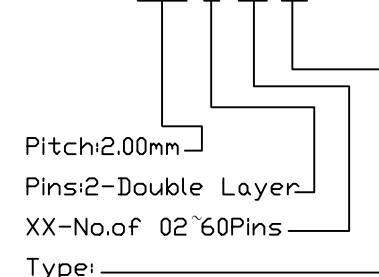
Recommended PCB Layout
Tolerance±0.05

Pin	Dimension(mm)		
	A	B	C
2x02	2.00	6.00	3.00
2x03	4.00	8.00	3.00
2x04	6.00	10.00	3.00
2x05	8.00	12.00	5.00
2x06	10.00	14.00	7.00
2x07	12.00	16.00	9.00
2x08	14.00	18.00	11.00
2x09	16.00	20.00	13.00
2x10	18.00	22.00	15.00
2x11	20.00	24.00	17.00
2x12	22.00	26.00	19.00
2x13	24.00	28.00	21.00
2x14	26.00	30.00	23.00
---	---	---	---
2x30	58.00	62.00	55.00

Material:
Housing: PA66,UL94V-2
Contact:Brass
Plating: Tin Plated Over Nickel

Electrical Characteristics:
Current Rating : 2.0AMP
Voltage Rating : 250V AC,DC
Temperature Range: -25°C~+85°C
Insulator Resistance: 1000MΩ/Min.
Withstand Voltage: 800V AC/DC
Contact Resistance: 20MΩ/Max

Order Information:
RHTAY4-2.00-2xXX-R1



Pitch:2.00mm
Pins:2-Double Layer
XX-No.of 02~60Pins
Type: _____
T-Terminal H-Hosing
S-Straight Male Pin
R/R1-Right Angle Male Pin

RHTECP NINGBO RHT ELECTRONIC CO.,LTD

UNITS:mm	SHEET SIZE: A4	SCALE:---	DRWN BY PAN
0~3	3~18	18~50	50~120
±0.12	±0.15	±0.3	±0.5
CHK'D BY FENG		APPR BY ZHAN	

2.00mm Pitch PHSD Double With
Lock Type Wire To Board Connector
THIRD ANGLE PROJECTION
 RHTAY4-2.00-2xXX-R1