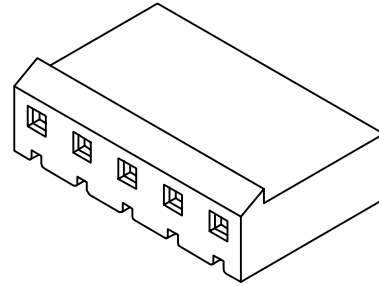
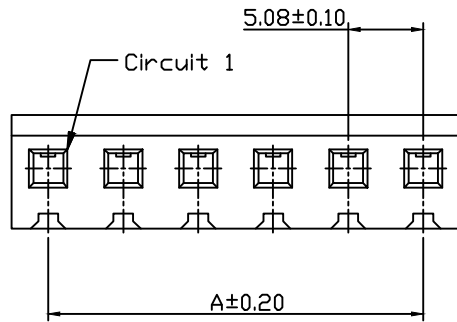


RoHS Compliance



Material:

Housing: PA66,UL94V-2,Natural

Electrical Characteristics:

Rated Current: 7.0AMP

Voltage Rating: 250V AC,DC

Temperature Range: -25°C~+85°C

Insulator Resistance: 1000MΩ Min

Withstand Voltage: 1500V AC/DC

Contact Resistance: 10mΩ Max

Pin	Dimension(mm)	
	A	B
02	5.08	10.08
03	10.16	15.16
04	15.24	20.24
05	20.32	25.32
06	25.40	30.40
07	30.48	35.48
08	35.56	40.56
09	40.64	45.64
10	45.72	50.72
11	50.80	55.80
12	55.88	60.88
13	60.96	65.96
14	66.04	71.04
15	71.12	76.12
16	76.20	81.20
17	81.28	86.28
18	86.36	91.36
19	91.44	96.44
20	96.52	101.52

Order Information:

RHTAY5.08-XX-H

Pitch:5.08mm

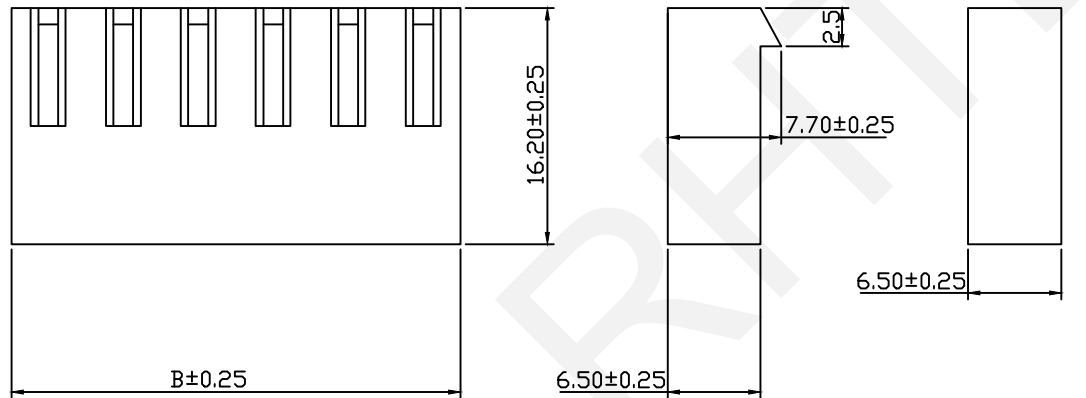
XX-No.of 02~20 Pins

Type:

H-Hosing T-Terminal

S-Straight Male Pin

R-Right Angle Male Pin



RHTECP NINGBO RHT ELECTRONIC CO.,LTD

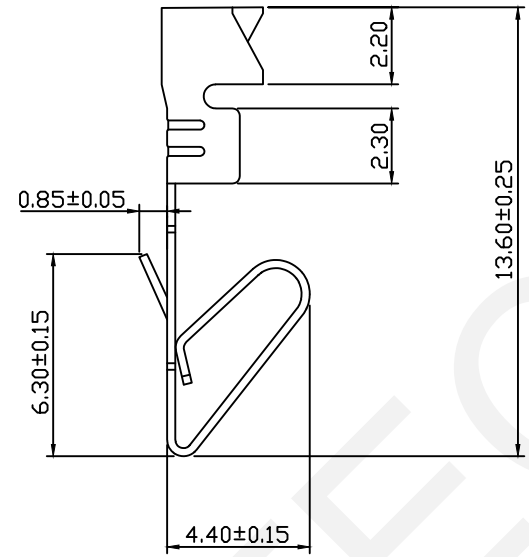
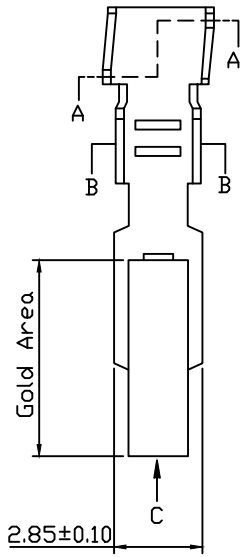
UNITS:mm	SHEET SIZE: A4				SCALE:----	DRWN BY PAN
0~3	3~18	18~50	50~120		CHK'D BY FENG	
±0.12	±0.15	±0.3	±0.5		APPR BY ZHAN	

5.08mm Pitch 5258
Wire To Board Connector

THIRD ANGLE PROJECTION

RHTAY5.08-XX-H

RoHS Compliance

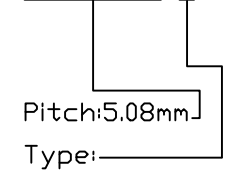


Material:
Terminal: Phosphor Bronze
Plating: 80~120u" Tin Plated Over
30u"/Min. Nickel Plated.
Applicable Wires: AWG #18~#24
Insulation O.D.: 2.80mm Max
Qty/Reel: 5000 PCS

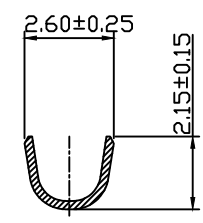
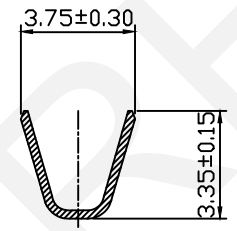
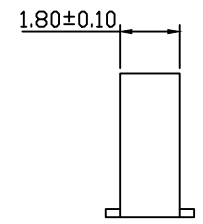
Electrical Characteristics:
Rated Current: 7.0AMP
Voltage Rating: 250V AC,DC
Temperature Range: -25°C~+85°C
Insulator Resistance: 1000MΩ Min
Withstand Voltage: 1500V AC/DC
Contact Resistance: 10mΩ Max

Order Information:

RHTAY5.08-T



H-Hosing T-Terminal
S-Straight Male Pin
R-Right Angle Male Pin



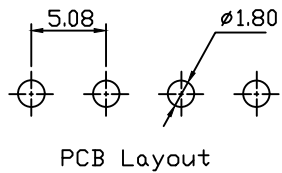
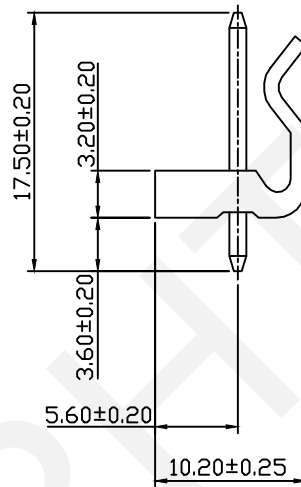
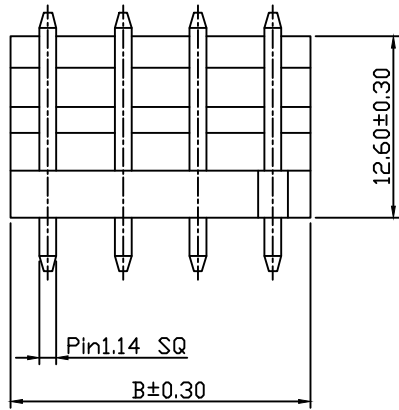
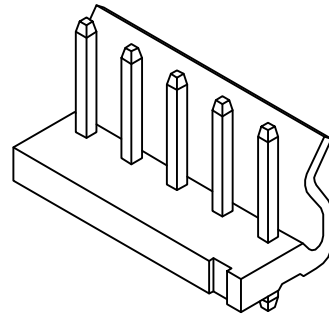
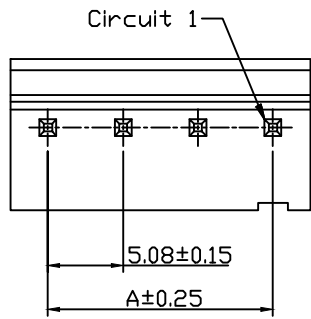
NINGBO RHT ELECTRONIC CO.,LTD

UNITS:mm	SHEET SIZE: A4			SCALE:---	DRWN BY PAN
0~3	3~18	18~50	50~120	CHK'D BY FENG	THIRD ANGLE PROJECTION
±0.12	±0.15	±0.3	±0.5	APPR BY ZHAN	

5.08mm Pitch 5258
Wire To Board Connector

RHTAY5.08-T

RoHS Compliance



Pin	Dimension(mm)	
	A	B
02	5.08	10.16
03	10.16	15.24
04	15.24	20.32
05	20.32	25.40
06	25.40	30.48
07	30.48	35.56
08	35.56	40.64
09	40.64	45.72
10	45.72	50.80
11	50.80	55.88
12	55.88	60.96
13	60.96	66.04
14	66.04	71.12
15	71.12	76.20
16	76.20	81.28
17	81.28	86.36
18	86.36	91.44
19	91.44	96.52
20	96.52	101.60

Material:

Housing: PA66,UL94V-2,Natural

Contact:Brass

Plating: Tin Plated Over 30u" Min. Nickel

Electrical Characteristics:

Rated Current: 7.0AMP

Voltage Rating: 250V AC,DC

Temperature Range: -25°C~+85°C

Insulator Resistance: 1000MΩ Min

Withstand Voltage: 1500V AC/DC

Contact Resistance: 10mΩ Max

Order Information:

RHTAY5.08-XX-S

Pitch:5.08mm

XX-No.of 02~20 Pins

Type:

H-Hosing T-Terminal

S-Straight Male Pin

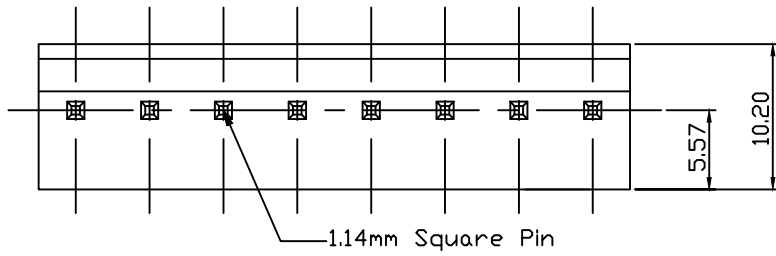
R-Right Angle Male Pin

RHTECP NINGBO RHT ELECTRONIC CO.,LTD

UNITS:mm	SHEET SIZE: A4	SCALE:---	DRWN BY PAN
0~3	3~18	18~50	50~120
±0.12	±0.15	±0.3	±0.5
CHK'D BY FENG			APPR BY ZHAN

5.08mm Pitch 5258
Wire To Board Connector
THIRD ANGLE PROJECTION
 RHTAY5.08-XX-S

RoHS Compliance



Pin	Dimension(mm)	
	A	B
02	5.08	10.22
03	10.16	15.30
04	15.24	20.38
05	20.32	25.46
06	25.40	30.54
07	30.48	35.62
08	35.56	40.70
09	40.64	45.78
10	45.72	50.86

Material:

Housing: PA66,UL94V-2,Natural

Contact: Brass 1.14mm Square Wire Pins

Plating: Tin Plated Over Gold Plated

Electrical Characteristics:

Rated Current: 7.0AMP

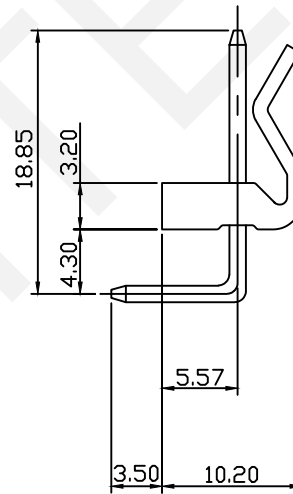
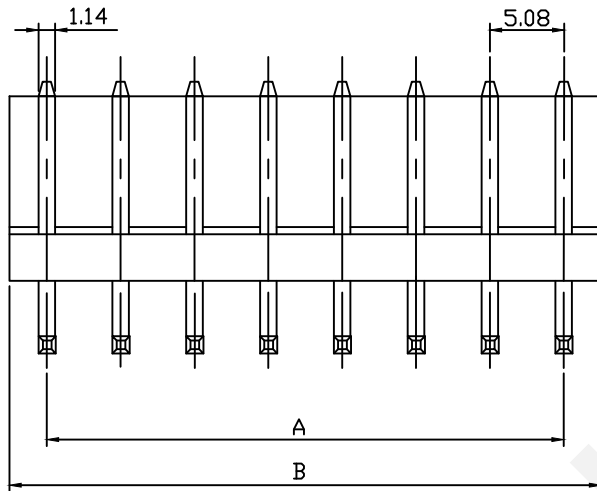
Voltage Rating: 250V AC,DC

Temperature Range: -25°C~+85°C

Insulator Resistance: 1000MΩ Min

Withstand Voltage: 1000V AC/DC

Contact Resistance: 20mΩ Max



Order Information:

RHTAY5.08-XX-R

Pitch: 5.08mm

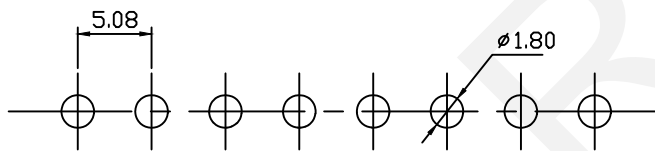
XX-No. of 02~20 Pins

Type: _____

H-Housing T-Terminal

S-Straight Male Pin

R-Right Angle Male Pin



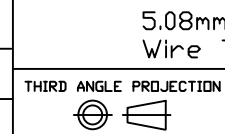
Recommended PCB Board Hole Dim



NINGBO RHT ELECTRONIC CO.,LTD

UNITS:mm	SHEET SIZE: A4	SCALE:---	DRWN BY PAN
0~3	3~18	18~50	50~120
±0.12	±0.15	±0.3	±0.5

CHK'D BY FENG
APPR BY ZHAN



5.08mm Pitch 5258
Wire To Board Connector
RHTAY5.08-XX-R