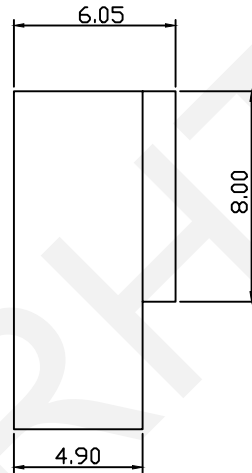
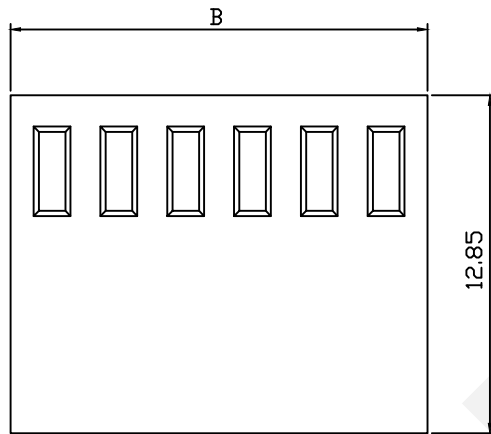
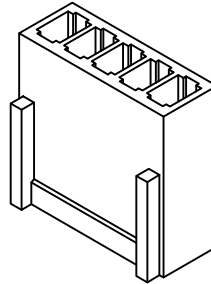
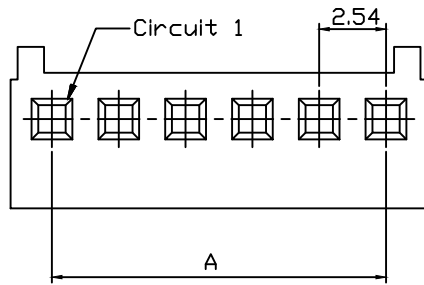


RoHS Compliance



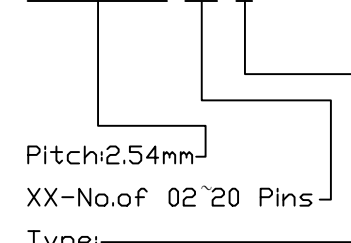
Pin	Dimension(mm)	
	A	B
02	2.54	5.68
03	5.08	8.22
04	7.62	10.76
05	10.16	13.30
06	12.70	15.84
07	15.24	18.38
08	17.78	20.92
09	20.32	23.46
10	22.86	26.00
11	25.40	28.54
12	27.94	31.08
13	30.48	33.62
14	32.02	36.16
15	35.56	38.70
16	38.10	41.24
17	40.64	43.78
18	43.18	46.32
19	45.72	48.86
20	48.26	51.40

Material:
 Housing: PA66,UL94V-0
 Colour:Natrual or Beige

Electrical Characteristics:
 Rated Current: 4.0AMP
 Voltage Rating: 250V AC,DC
 Temperature Range: -25°C~+85°C
 Insulator Resistance: 1000MΩ/Min.
 Withstanding Voltage: 1000V AC/Minute
 Contact Resistance: 10MΩ/Max

Order Information:

RHTAY2.54-XX-H



Pitch:2.54mm

XX-No.of 02~20 Pins

Type:

T-Terminal H-Hosing

S-Straight Male Pin

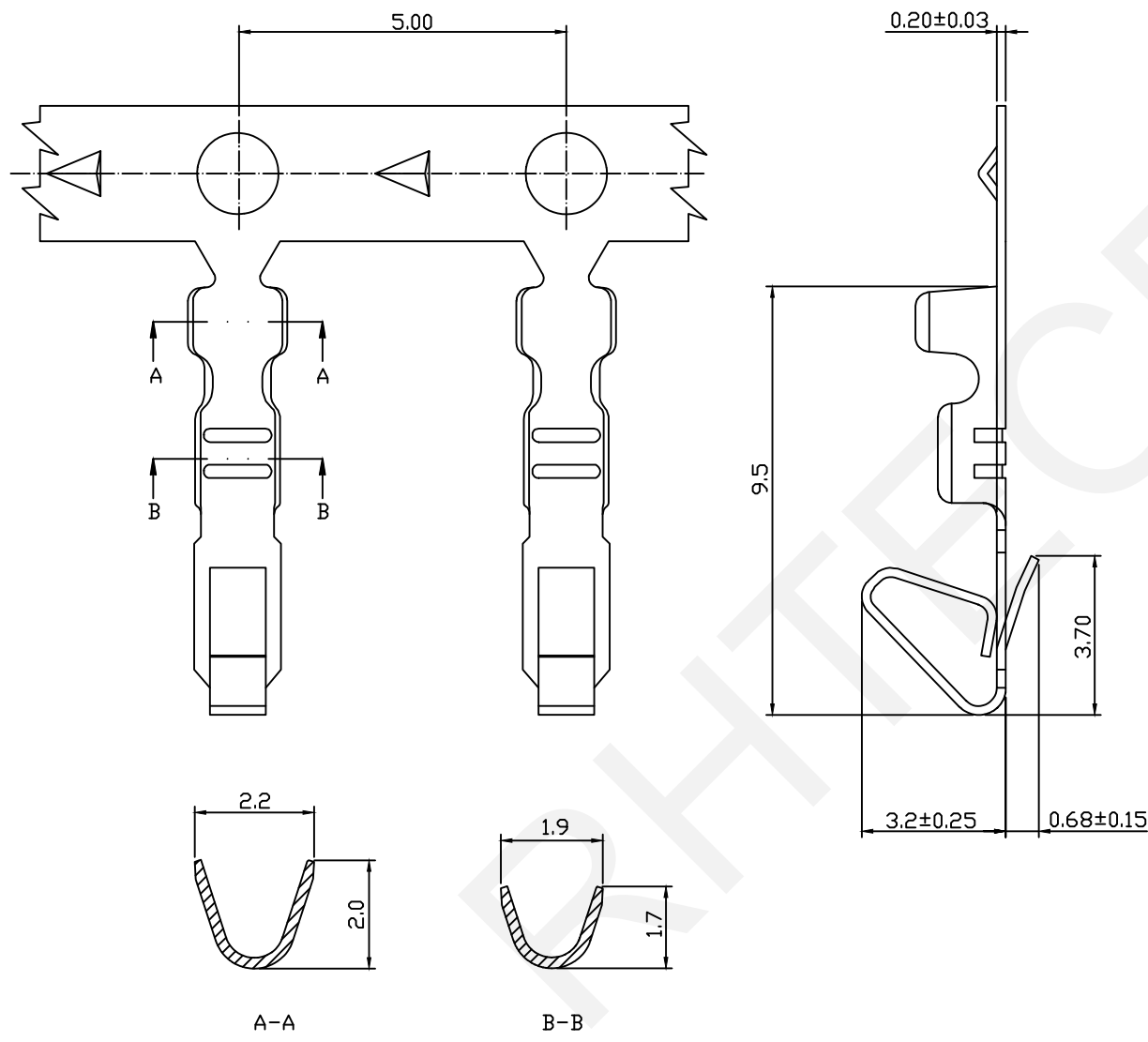
R/R1/R2-Right Angle Male Pin

RHTECP NINGBO RHT ELECTRONIC CO.,LTD

UNITS:mm	SHEET SIZE: A4			SCALE:---	DRWN BY PAN
0~3	3~18	18~50	50~120	CHK'D BY FENG	
±0.12	±0.15	±0.3	±0.5	APPR BY ZHAN	

2.54mm Pitch 2510
 Wire To Board Connector
 THIRD ANGLE PROJECTION
 RHTAY2.54-XX-H

RoHS Compliance



Material:
 Terminal: Phosphor Bronze
 Rating: Tin plated Over Nickel
 Applicable Wires: AWG #22~#28
 Insulation O.D:1.5mm
 Qty/Reel:10000pcs

Electrical Characteristics:
 Rated Current: 4.0AMP
 Voltage Rating: 250V AC,DC
 Temperature Range: -25°C~+85°C
 Insulator Resistance: 1000MΩ/Min.
 Withstanding Voltage: 1000V AC/Minute
 Contact Resistance: 10MΩ/Max

Order Information:
RHTAY2.54-T

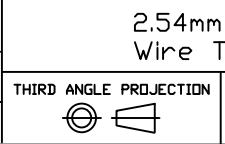
Pitch:2.50mm
 Type: _____
 T-Terminal H-Hosing
 S-Straight Male Pin
 R/R1/R2-Right Angle Male Pin



NINGBO RHT ELECTRONIC CO.,LTD

UNITS:mm	SHEET SIZE: A4	SCALE:---	DRWN BY PAN
0~3	3~18	18~50	50~120
±0.12	±0.15	±0.3	±0.5

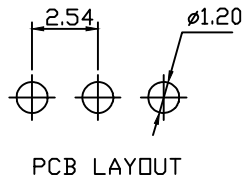
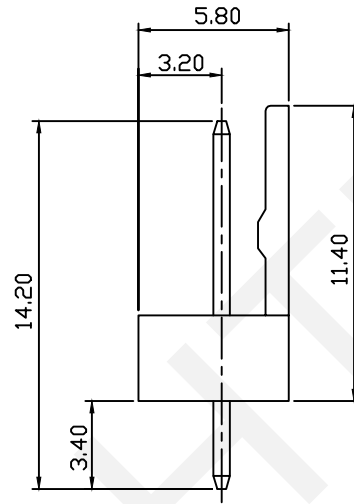
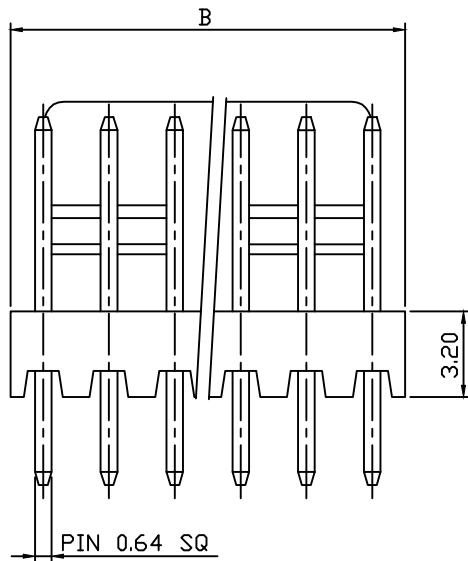
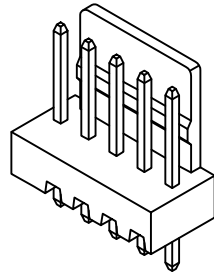
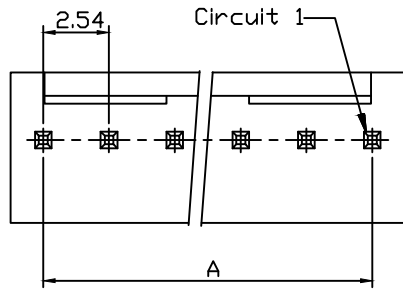
CHK'D BY FENG
 APPR BY ZHAN



2.54mm Pitch 2510
 Wire To Board Connector

RHTAY2.54-T

RoHS Compliance



Pin	Dimension(mm)	
	A	B
02	2.54	5.08
03	5.08	7.62
04	7.62	10.16
05	10.16	12.70
06	12.70	15.24
07	15.24	17.78
08	17.78	20.32
09	20.32	22.86
10	22.86	25.40
11	25.40	27.94
12	27.94	30.48
13	30.48	32.02
14	32.02	35.56
15	35.56	38.10
16	38.10	40.64
17	40.64	43.18
18	43.18	45.72
19	45.72	48.26
20	48.26	50.80

Material:
Housing: PA66,UL94V-0
Colour:Natrual or Beige
Pin:Brass, Tin Plated

Electrical Characteristics:
Rated Current: 4.0AMP
Voltage Rating: 250V AC,DC
Temperature Range: -25°C~+85°C
Insulator Resistance: 1000MΩ/Min.
Withstanding Voltage: 1000V AC/Minute
Contact Resistance: 10MΩ/Max

Order Information:

RHTAY2.54-XX-S

Pitch:2.54mm

XX-No.of 02~20 Pins

Type:

T-Terminal H-Hosing

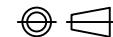
S-Straight Male Pin

R/R1/R2-Right Angle Male Pin

NINGBO RHT ELECTRONIC CO.,LTD

UNITS:mm	SHEET SIZE: A4			SCALE:---	DRWN BY PAN
0~3	3~18	18~50	50~120	CHK'D BY FENG	
±0.12	±0.15	±0.3	±0.5	APPR BY ZHAN	

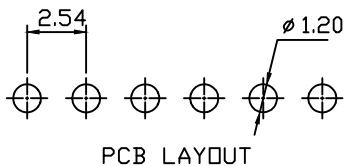
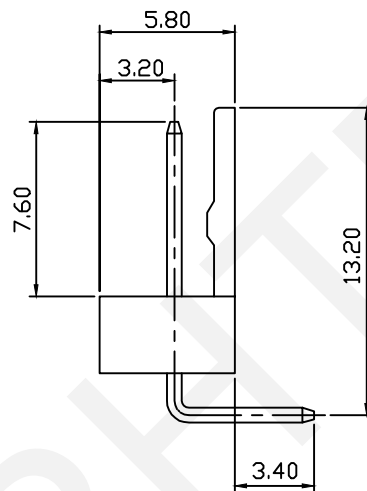
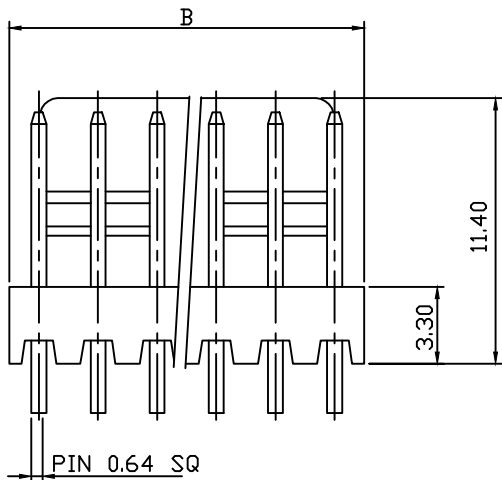
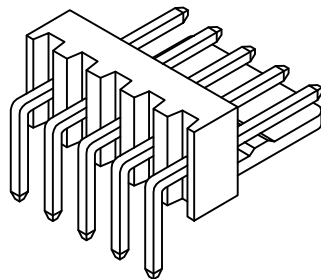
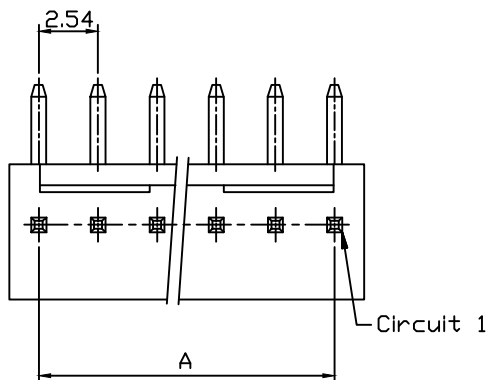
THIRD ANGLE PROJECTION



2.54mm Pitch 2510
Wire To Board Connector

RHTAY2.54-XX-S

RoHS Compliance



Material:
 Housing: PA66,UL94V-0
 Colour:Natrual or White
 Pin:Brass, Tin Plated

Electrical Characteristics:
 Rated Current: 4.0AMP
 Voltage Rating: 250V AC,DC
 Temperature Range: -25°C~+85°C
 Insulator Resistance: 1000MΩ/Min.
 Withstanding Voltage: 1000V AC/Minute
 Contact Resistance: 10MΩ/Max

Order Information:

RHTAY2.54-XX-R

Pitch:2.54mm

XX-No.of 02~20 Pins

Type:

T-Terminal H-Hosing

S-Straight Male Pin

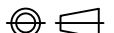
R/R1/R2-Right Angle Male Pin

Pin	Dimension(mm)	
	A	B
02	2.54	5.08
03	5.08	7.62
04	7.62	10.16
05	10.16	12.70
06	12.70	15.24
07	15.24	17.78
08	17.78	20.32
09	20.32	22.86
10	22.86	25.40
11	25.40	27.94
12	27.94	30.48
13	30.48	32.02
14	32.02	35.56
15	35.56	38.10
16	38.10	40.64
17	40.64	43.18
18	43.18	45.72
19	45.72	48.26
20	48.26	50.80

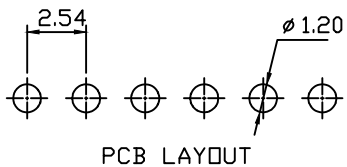
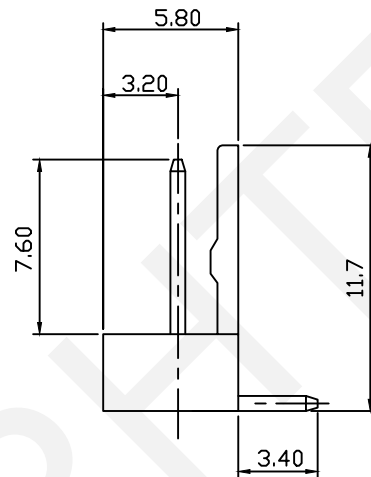
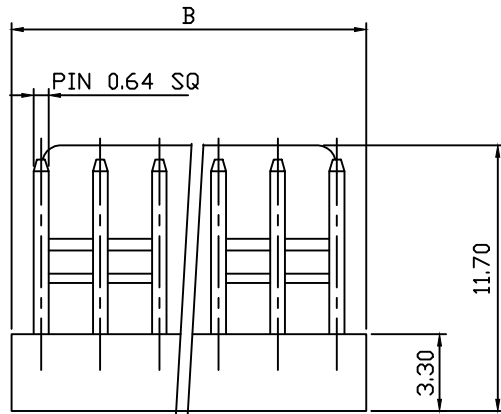
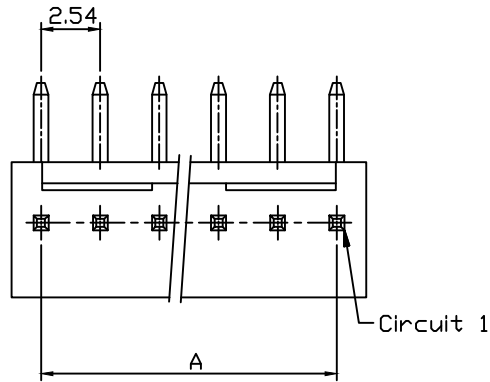
RHTECP NINGBO RHT ELECTRONIC CO.,LTD

UNITS:mm SHEET SIZE: A4 SCALE:---
 0~3 3~18 18~50 50~120
 ±0.12 ±0.15 ±0.3 ±0.5

DRWN BY PAN
 CHK'D BY FENG
 APPR BY ZHAN

2.54mm Pitch 2510
 Wire To Board Connector
 THIRD ANGLE PROJECTION

 RHTAY2.54-XX-R

RoHS Compliance



Material:
 Housing: PA66,UL94V-0
 Colour:Natrual or White
 Pin:Brass, Tin Plated

Pin	Dimension(mm)	
	A	B
02	2.54	5.08
03	5.08	7.62
04	7.62	10.16
05	10.16	12.70
06	12.70	15.24
07	15.24	17.78
08	17.78	20.32
09	20.32	22.86
10	22.86	25.40
11	25.40	27.94
12	27.94	30.48
13	30.48	32.02
14	32.02	35.56
15	35.56	38.10
16	38.10	40.64
17	40.64	43.18
18	43.18	45.72
19	45.72	48.26
20	48.26	50.80

Electrical Characteristics:
 Rated Current: 4.0AMP
 Voltage Rating: 250V AC,DC
 Temperature Range: -25°C~+85°C
 Insulator Resistance: 1000MΩ/Min.
 Withstanding Voltage: 1000V AC/Minute
 Contact Resistance: 10MΩ/Max

Order Information:
RHTAY2.54-XX-R1

 Pitch:2.54mm
 XX-No.of 02~20 Pins
 Type: _____
 T-Terminal H-Hosing
 S-Straight Male Pin
 R/R1/R2-Right Angle Male Pin



NINGBO RHT ELECTRONIC CO.,LTD

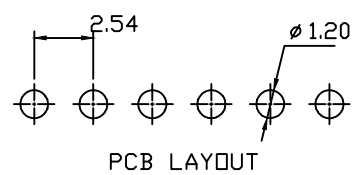
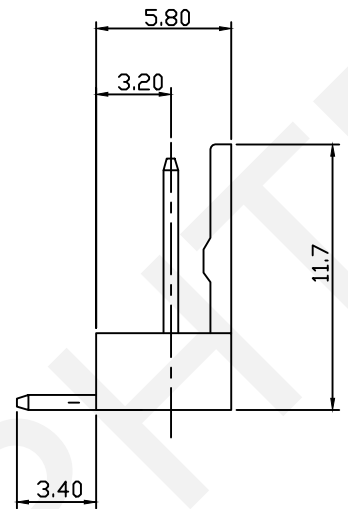
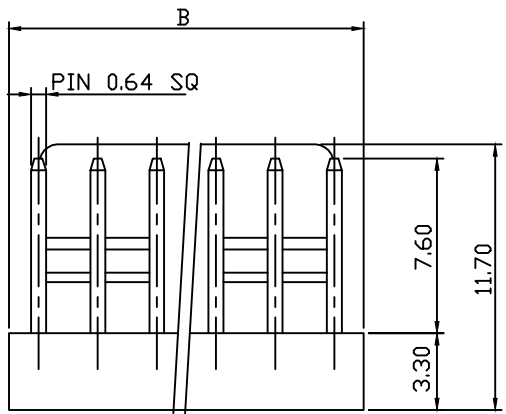
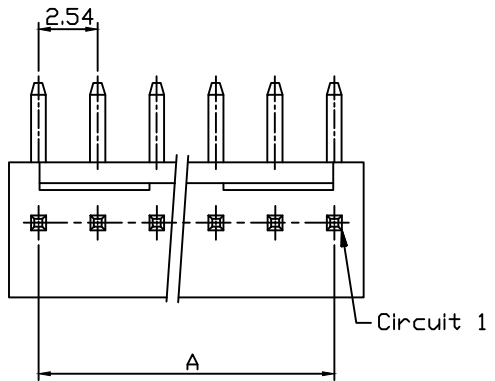
UNITS:mm	SHEET SIZE: A4	SCALE:---	DRWN BY PAN
0~3	3~18	18~50	50~120
±0.12	±0.15	±0.3	±0.5

CHK'D BY FENG
 APPR BY ZHAN

2.54mm Pitch 2510
 Wire To Board Connector
 THIRD ANGLE PROJECTION

 RHTAY2.54-XX-R1

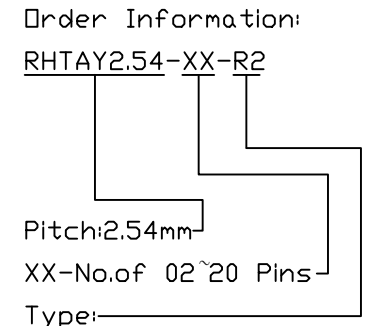
RoHS Compliance



Pin	Dimension(mm)	
	A	B
02	2.54	5.08
03	5.08	7.62
04	7.62	10.16
05	10.16	12.70
06	12.70	15.24
07	15.24	17.78
08	17.78	20.32
09	20.32	22.86
10	22.86	25.40
11	25.40	27.94
12	27.94	30.48
13	30.48	32.02
14	32.02	35.56
15	35.56	38.10
16	38.10	40.64
17	40.64	43.18
18	43.18	45.72
19	45.72	48.26
20	48.26	50.80

Material:
 Housing: PA66,UL94V-0
 Colour:Natrual or White
 Pin:Brass, Tin Plated

Electrical Characteristics:
 Rated Current: 4.0AMP
 Voltage Rating: 250V AC,DC
 Temperature Range: -25°C~+85°C
 Insulator Resistance: 1000MΩ/Min.
 Withstanding Voltage: 1000V AC/Minute
 Contact Resistance: 10MΩ/Max



Pitch:2.54mm
 XX-No.of 02~20 Pins
 Type:
 T-Terminal H-Hosing
 S-Straight Male Pin
 R/R1/R2-Right Angle Male Pin

RHTECP NINGBO RHT ELECTRONIC CO.,LTD

UNITS:mm	SHEET SIZE: A4	SCALE:---	DRWN BY PAN
0~3	3~18	18~50	50~120
±0.12	±0.15	±0.3	±0.5

2.54mm Pitch 2510
 Wire To Board Connector
 THIRD ANGLE PROJECTION

 RHTAY2.54-XX-R2