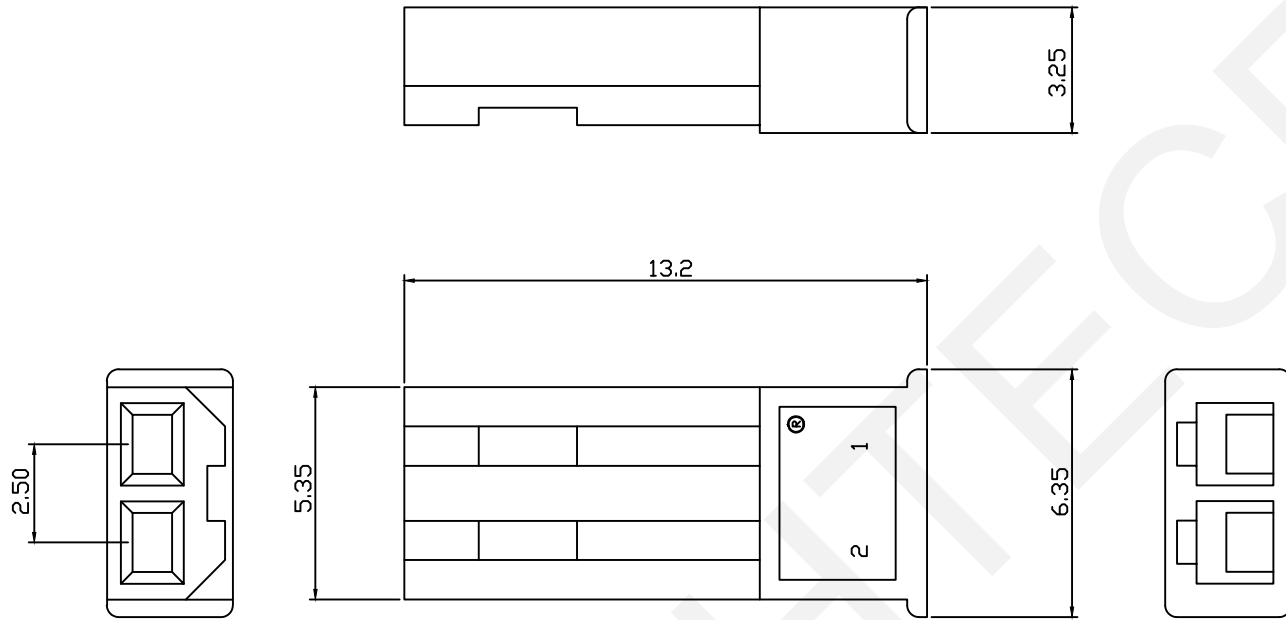


RoHS Compliance

Material:
Housing: PA66 UL94V-2

Electrical Characteristics:
Rated Current: 3.0AMP
Voltage Rating: 250V AC,DC
Temperature Range: -45°C~+105°C
Insulator Resistance: 500MΩ/Min.
Withstanding Voltage: 1500V AC/Minute
Contact Resistance: 20MΩ/Max

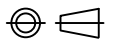
Order Information:
RHTAYM2-2.50-XX-FH



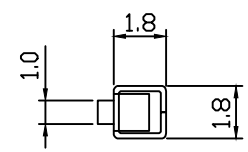
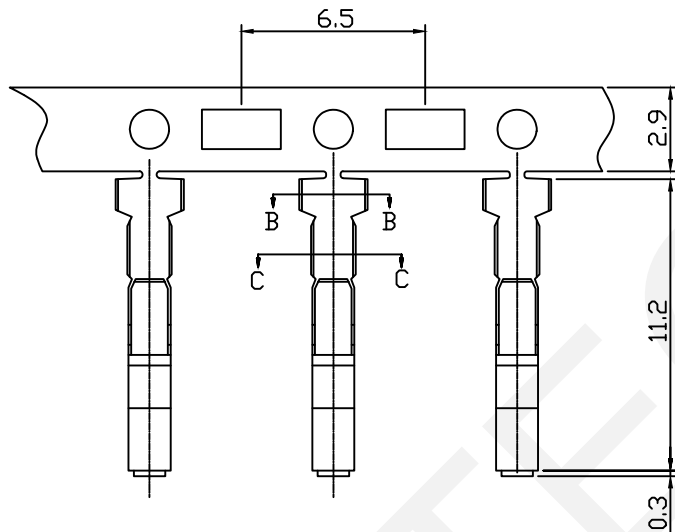
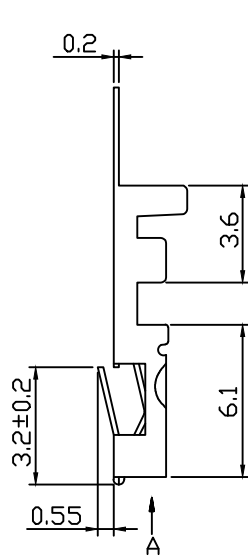
Pitch: 2.50mm
XX-No. of 02~15 Pins
Type: _____
MH-Male Hosing
FH-Female Hosing
MT-Male Terminal
FT-Female Terminal

 NINGBO RHT ELECTRONIC CO.,LTD

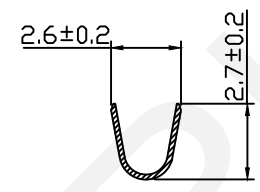
UNITS:mm	SHEET SIZE: A4	SCALE:---	DRWN BY PAN
0~3	3~18	18~50	50~120
±0.12	±0.15	±0.3	±0.5
CHK'D BY FENG		APPR BY ZHAN	

2.50mm Pitch SYP SYR Type
Wire To Wire Connector
THIRD ANGLE PROJECTION

RHTAYM2-2.50-XX-MH

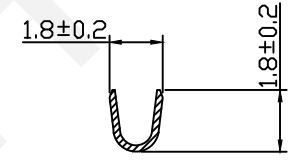
RoHS Compliance



A-A



B-B

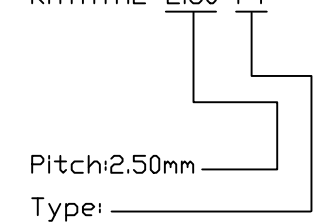


C-C

Material:
Terminal :Phosphor Bronze
Rating: Tin Plated
Applicable Wires:AWG#22~#28

Electrical Characteristics:
Rated Current: 3.0AMP
Voltage Rating: 250V AC,DC
Temperature Range: -45°C~+105°C
Insulator Resistance: 500MΩ/Min.
Withstanding Voltage: 1500V AC/Minute
Contact Resistance: 20MΩ/Max

Order Information:
RHTAYM2-2.50-FT



Pitch:2.50mm
Type:
MH-Male Hosing
FH-Female Hosing
MT-Male Terminal
FT-Female Terminal

RHTECP NINGBO RHT ELECTRONIC CO.,LTD

UNITS:mm	SHEET SIZE: A4		SCALE:---	DRWN BY PAN
0~3	3~18	18~50	50~120	CHK'D BY FENG
±0.12	±0.15	±0.3	±0.5	APPR BY ZHAN

2.50mm Pitch SYP SYR Type
Wire To Wire Connector
THIRD ANGLE PROJECTION
 RHTAYM2-2.50-FT

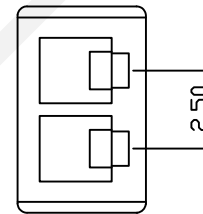
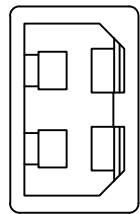
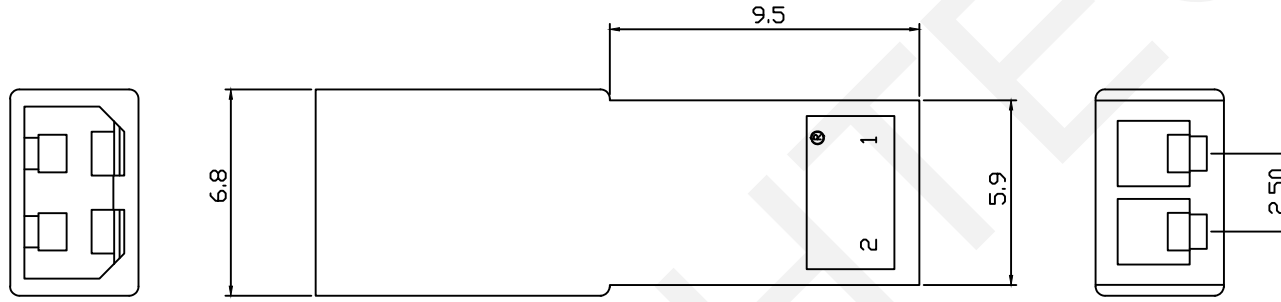
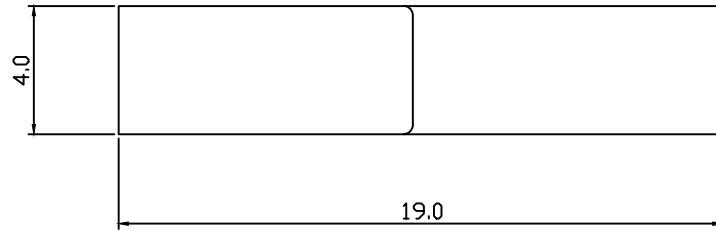
RoHS Compliance

Material:
Housing: PA66 UL94V-2

Electrical Characteristics:
Rated Current: 3.0AMP
Voltage Rating: 250V AC,DC
Temperature Range: -45°C~+105°C
Insulator Resistance: 500MΩ/Min.
Withstanding Voltage: 1500V AC/Minute
Contact Resistance: 20MΩ/Max

Order Information:
RHTAYM2-2.50-XX-MH

Pitch: 2.50mm
XX-No. of 02~15 Pins
Type: _____
MH-Male Hosing
FH-Female Hosing
MT-Male Terminal
FT-Female Terminal

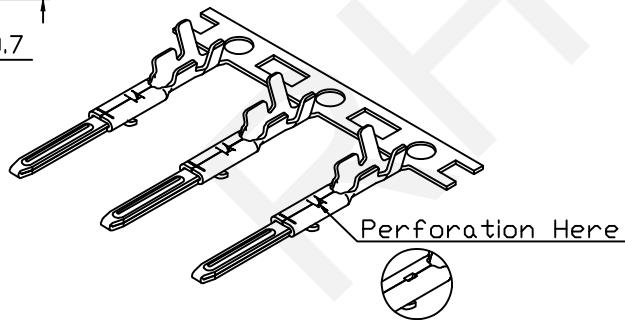
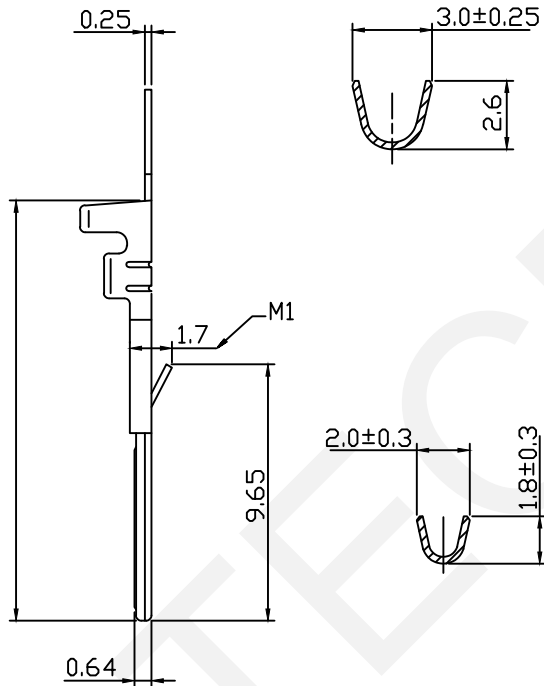
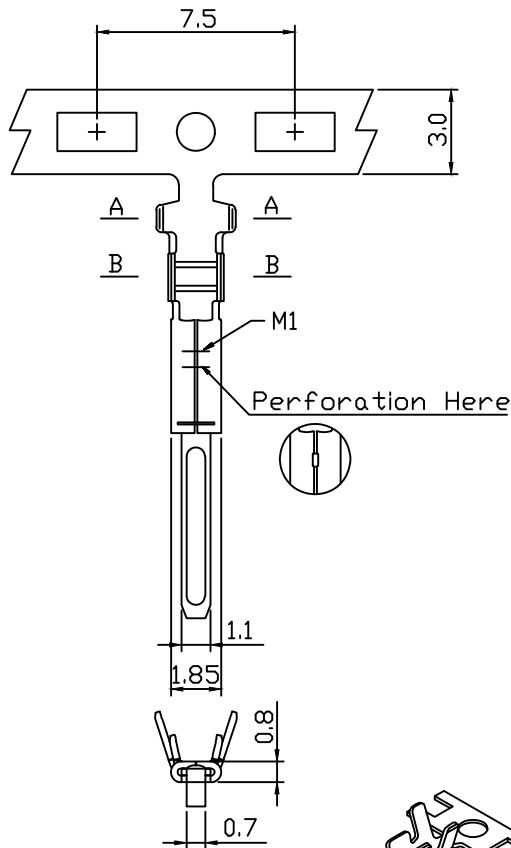


RHTECP NINGBO RHT ELECTRONIC CO.,LTD

UNITS:mm	SHEET SIZE: A4			SCALE:---	DRWN BY PAN
0~3	3~18	18~50	50~120	CHK'D BY FENG	
±0.12	±0.15	±0.3	±0.5	APPR BY ZHAN	

2.50mm Pitch SYP SYR Type
Wire To Wire Connector
THIRD ANGLE PROJECTION
 RHTAYM2-2.50-XX-MH

RoHS Compliance



Material:
Terminal :Phosphor Bronze
Rating: Tin Plated
Applicable Wires:AWG#22~#28

Electrical Characteristics:
Rated Current: 3.0AMP
Voltage Rating: 250V AC,DC
Temperature Range: -45°C~+105°C
Insulator Resistance: 500MΩ/Min.
Withstanding Voltage: 1500V AC/Minute
Contact Resistance: 20MΩ/Max

Order Information:
RHTAYM2-2.50-MT

Pitch:2.50mm
Type: _____
MH-Male Hosing
FH-Female Hosing
MT-Male Terminal
FT-Female Terminal

RHTECP NINGBO RHT ELECTRONIC CO.,LTD

UNITS:mm	SHEET SIZE: A4			SCALE:---	DRWN BY PAN
0~3	3~18	18~50	50~120	CHK'D BY FENG	
±0.12	±0.15	±0.3	±0.5	APPR BY ZHAN	

2.50mm Pitch SYP SYR Type
Wire To Wire Connector
THIRD ANGLE PROJECTION
 RHTAYM2-2.50-MT