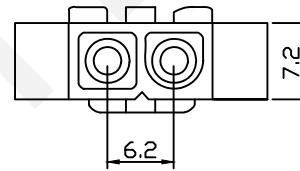
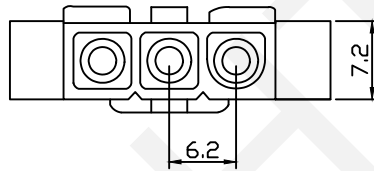
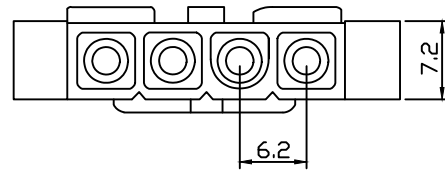
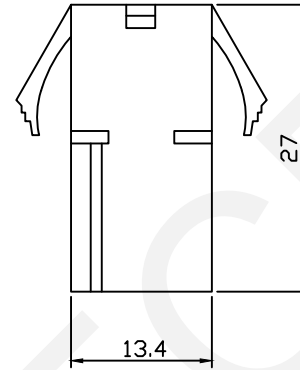
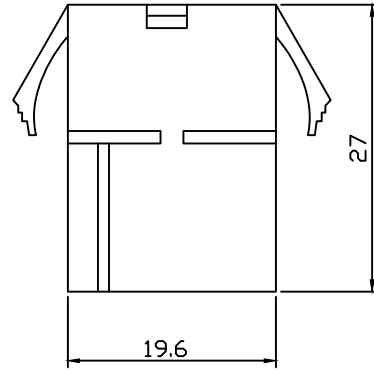
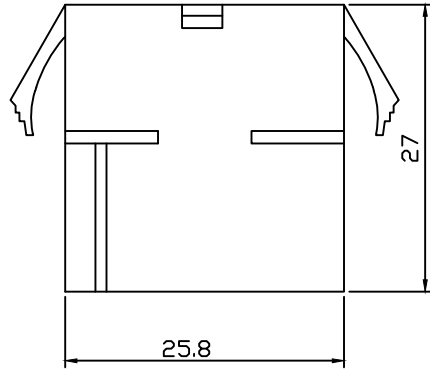


RoHS Compliance



RHTAYM1-6.20-1x04-FH

RHTAYM1-6.20-1x03-FH

RHTAYM1-6.20-1x02-FH

Specifications

Material: Nylon66 UL94V-2

Electrical Characteristics:

- Current Rating: 10A AC,DC
- Voltage Rating: 300V AC,DC
- Temperature Range: -45°C~+85°C
- Insulator Resistance: 1000MΩ/Min.
- Withstanding Voltage: 5000V AC/Minute
- Contact Resistance: 10MΩ/Max

Order Information:

RHTAYM1-6.20-1xXX-FH

Wire To Wire

Connector

Pitch:6.20mm

Pins:1-Single Layer

2-Double Layer

3-Three Layer

Pin Number:1~15 Pins

MH=Male Hosing/FH=Female Hosing

MT=Male Terminal/FT=Female Terminal

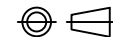


NINGBO RHT ELECTRONIC CO.,LTD

UNITS:mm	SHEET SIZE: A4			SCALE:---	DRWN BY PAN
0~3	3~18	18~50	50~120	CHK'D BY FENG	
±0.12	±0.15	±0.3	±0.5	APPR BY ZHAN	

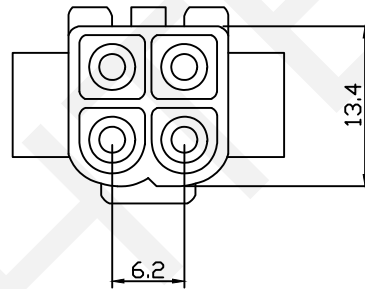
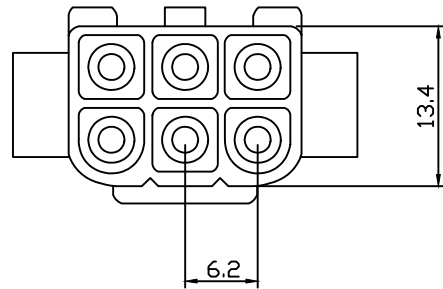
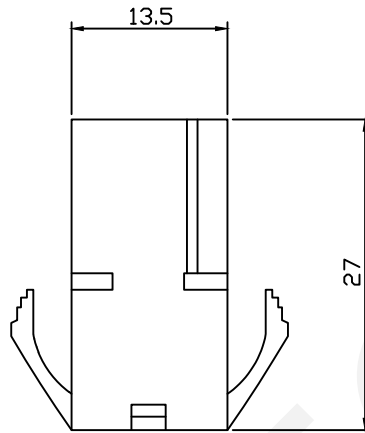
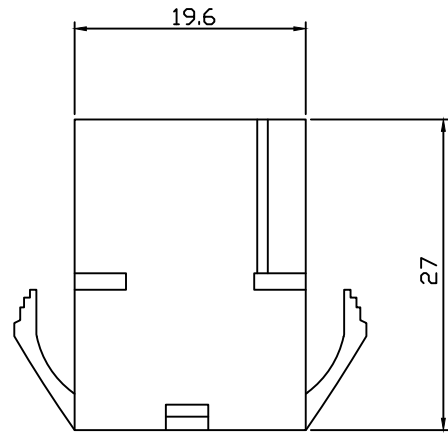
6.20mm L Type Wire To Wire Connector

THIRD ANGLE PROJECTION



RHTAYM1-6.20-1xXX-FH

RoHS Compliance



RHTAYM1-6.20-2x03-FH

RHTAYM1-6.20-2x02-FH

Specifications

Material: Nylon66 UL94V-2

Electrical Characteristics:

Current Rating: 10A AC,DC

Voltage Rating: 300V AC,DC

Temperature Range: -45°C~+85°C

Insulator Resistance: 1000MΩ/Min.

Withstanding Voltage: 5000V AC/Minute

Contact Resistance: 10MΩ/Max

Order Information:

RHTAYM1-6.20-2xXX-FH

Wire To Wire

Connector

Pitch:6.20mm

Pins:1-Single Layer

2-Double Layer

3-Three Layer

Pin Number:1~15 Pins

MH=Male Hosing/FH=Female Hosing

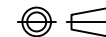
MT=Male Terminal/FT=Female Terminal

 NINGBO RHT ELECTRONIC CO.,LTD

UNITS:mm	SHEET SIZE: A4		SCALE:---	DRWN BY PAN
0~3	3~18	18~50	50~120	CHK'D BY FENG
±0.12	±0.15	±0.3	±0.5	APPR BY ZHAN

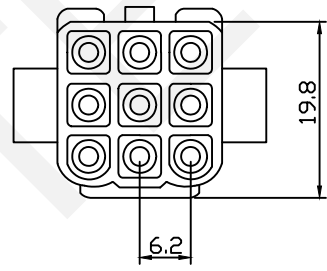
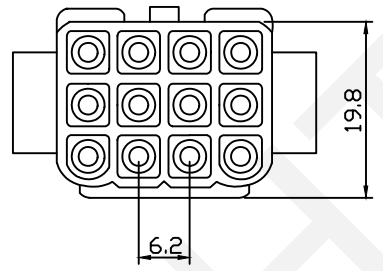
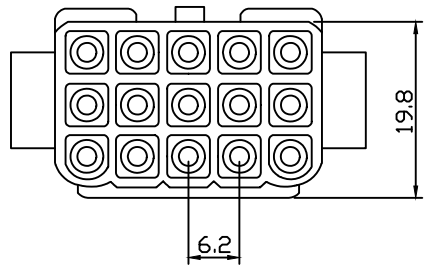
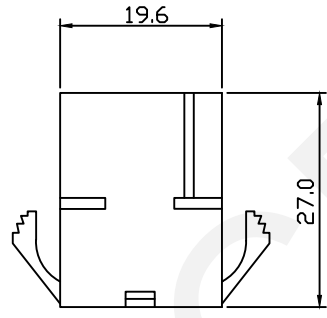
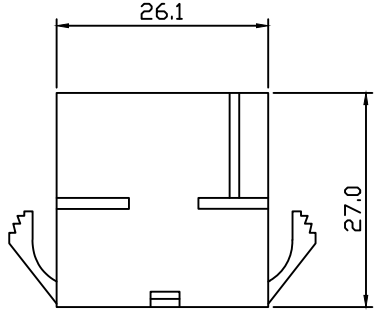
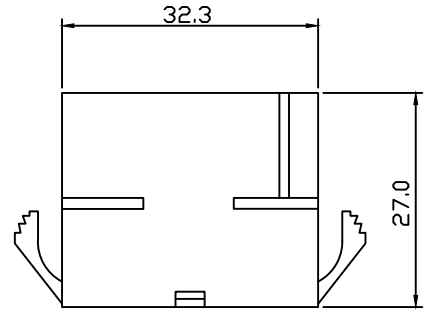
6.20mm L Type Wire To Wire Connector

THIRD ANGLE PROJECTION



RHTAYM1-6.20-2xXX-FH

RoHS Compliance



RHTAYM1-6.20-3x05-FH

RHTAYM1-6.20-3x04-FH

RHTAYM1-6.20-3x03-FH

Specifications

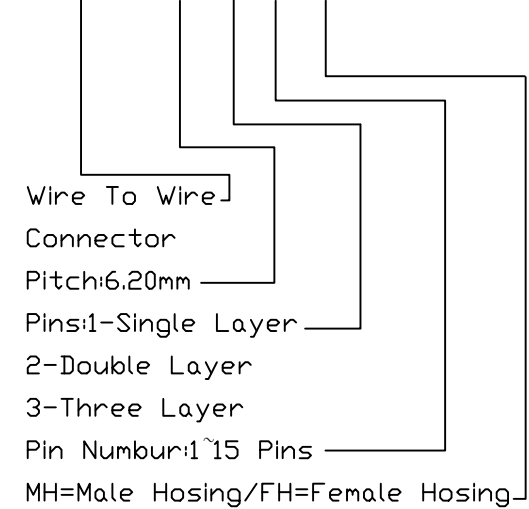
Material: Nylon66 UL94V-2

Electrical Characteristics:

- Current Rating: 10A AC,DC
- Voltage Rating: 300V AC,DC
- Temperature Range: -45°C~+85°C
- Insulator Resistance: 1000MΩ/Min.
- Withstanding Voltage: 5000V AC/Minute
- Contact Resistance: 10MΩ/Max

Order Information:

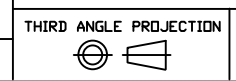
RHTAYM1-6.20-3xXX-FH



NINGBO RHT ELECTRONIC CO.,LTD

UNITS:mm	SHEET SIZE: A4		SCALE:---	DRWN BY PAN
0~3	3~18	18~50	50~120	CHK'D BY FENG
±0.12	±0.15	±0.3	±0.5	APPR BY ZHAN

6.20mm L Type Wire To Wire Connector



RHTAYM1-6.20-3xXX-FH

RoHS Compliance

Specifications

Terminal :Phosphor Bronze
 Finish : Plated Tin Or Gold Flash
 Lead over Nickel

Current Rating: 10A AC,DC
 Voltage Rating: 300V AC,DC
 Temperature Range: -45°C~+85°C
 Insulator Resistance: 1000MΩ/Min.
 Withstanding Voltage: 5000V AC/Minute
 Contact Resistance: 10MΩ/Max

Order Information:

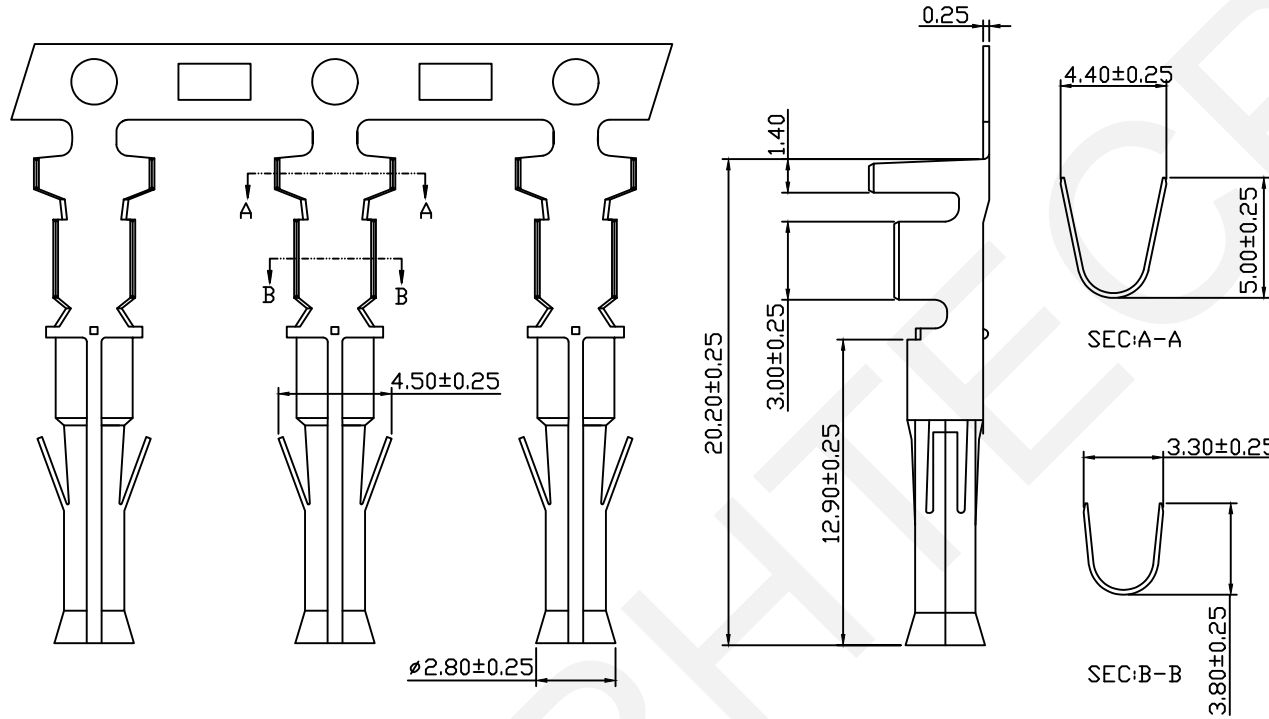
RHTAYM1-6.20-FT

Wire To Wire
 Connector
 Pitch:6.20mm

Type:

MT=Male Terminal

FT=Female Terminal

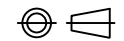


RHTECP NINGBO RHT ELECTRONIC CO.,LTD

UNITS:mm	SHEET SIZE: A4			SCALE:---	DRWN BY PAN
0~3	3~18	18~50	50~120	CHK'D BY FENG	
±0.12	±0.15	±0.3	±0.5	APPR BY ZHAN	

6.20mm L Type Wire To Wire Connector

THIRD ANGLE PROJECTION



RHTAYM1-6.20-FT

RoHS Compliance

Specifications

Material: Nylon66 UL94V-2

Electrical Characteristics:

Current Rating: 10A AC,DC

Voltage Rating: 300V AC,DC

Temperature Range: -45°C~+85°C

Insulator Resistance: 1000MΩ/Min.

Withstanding Voltage: 5000V AC/Minute

Contact Resistance: 10MΩ/Max

Order Information:

RHTAYM1-6.20-1×XX-MH

Wire To Wire

Connector

Pitch:6.20mm

Pins:1-Single Layer

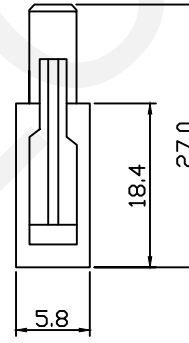
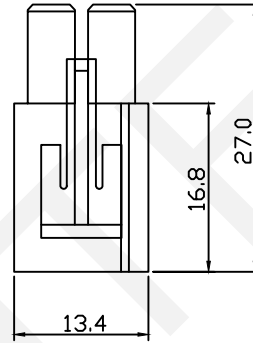
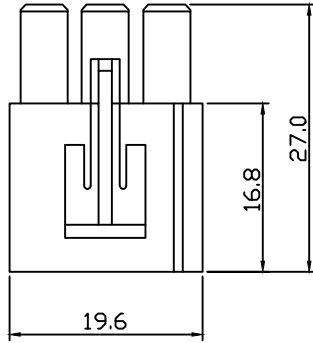
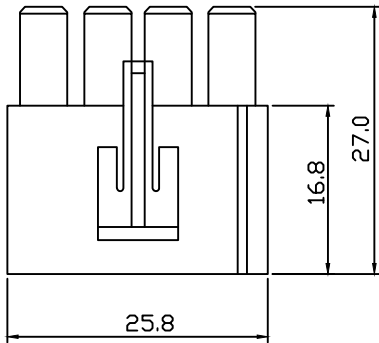
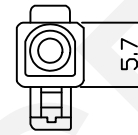
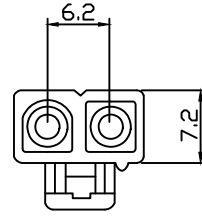
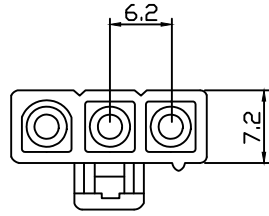
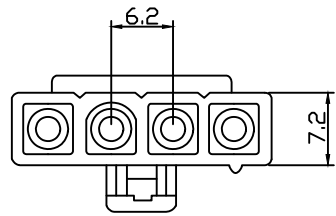
2-Double Layer

3-Three Layer

Pin Number:1~15 Pins

MH=Male Hosing/FH=Female Hosing

MT=Male Terminal/FT=Female Terminal



RHTAYM1-6.20-1×04-MH

RHTAYM1-6.20-1×03-MH

RHTAYM1-6.20-1×02-MH

RHTAYM1-6.20-1×01-MH



NINGBO RHT ELECTRONIC CO.,LTD

UNITS:mm

SHEET SIZE: A4

SCALE:---

DRWN BY PAN

6.20mm L Type Wire To Wire Connector

0~3

3~18

18~50

50~120

CHK'D BY FENG

THIRD ANGLE PROJECTION

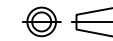
±0.12

±0.15

±0.3

±0.5

APPR BY ZHAN



RHTAYM1-6.20-1×XX-MH

1

2

3

4

5

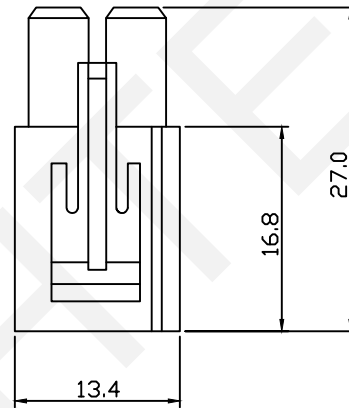
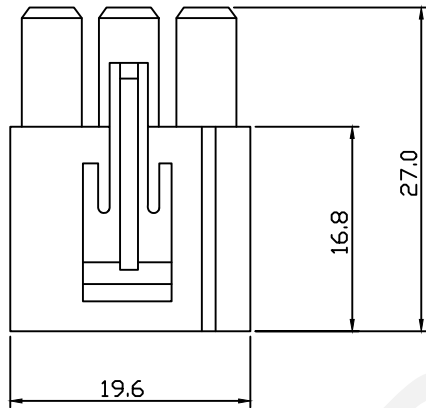
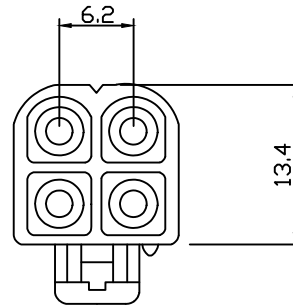
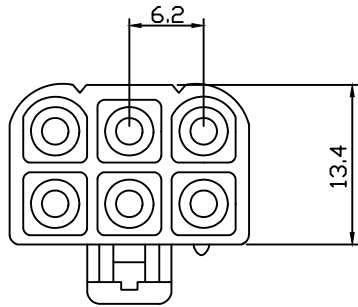
6

7

8

9

RoHS Compliance



RHTAYM1-6.20-2x03-MH

RHTAYM1-6.20-2x02-MH

Specifications

Material: Nylon66 UL94V-2

Electrical Characteristics:

Current Rating: 10A AC,DC

Voltage Rating: 300V AC,DC

Temperature Range: -45°C~+85°C

Insulator Resistance: 1000MΩ/Min.

Withstanding Voltage: 5000V AC/Minute

Contact Resistance: 10MΩ/Max

Order Information:

RHTAYM1-6.20-2xXX-MH

Wire To Wire

Connector

Pitch:6.20mm

Pins:1-Single Layer

2-Double Layer

3-Three Layer

Pin Number:1~15 Pins

MH=Male Hosing/FH=Female Hosing

MT=Male Terminal/FT=Female Terminal

RHTECP NINGBO RHT ELECTRONIC CO.,LTD

UNITS:mm	SHEET SIZE: A4			SCALE:---
0~3	3~18	18~50	50~120	
±0.12	±0.15	±0.3	±0.5	

DRWN BY PAN
CHK'D BY FENG
APPR BY ZHAN

6.20mm L Type Wire To Wire Connector
THIRD ANGLE PROJECTION
RHTAYM1-6.20-2xXX-MH

RoHS Compliance

Specifications

Material: Nylon66 UL94V-2

Electrical Characteristics:

Current Rating: 10A AC,DC

Voltage Rating: 300V AC,DC

Temperature Range: -45°C~+85°C

Insulator Resistance: 1000MΩ/Min.

Withstanding Voltage: 5000V AC/Minute

Contact Resistance: 10MΩ/Max

Order Information:

RHTAYM1-6.20-3xXX-MH

Wire To Wire

Connector

Pitch:6.20mm

Pins:1-Single Layer

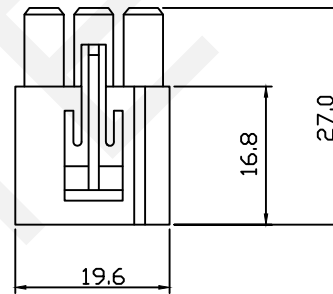
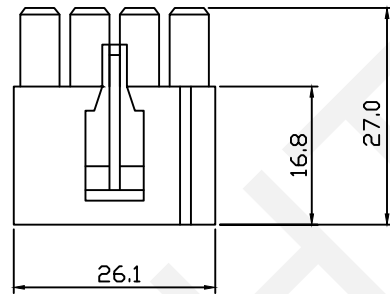
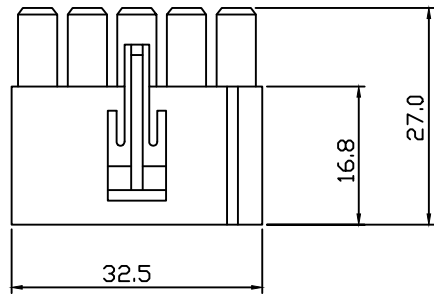
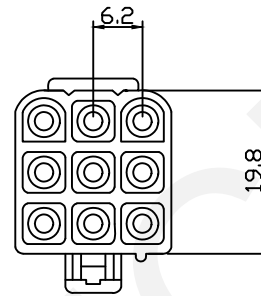
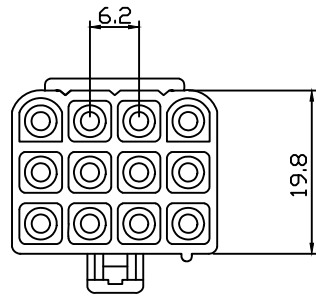
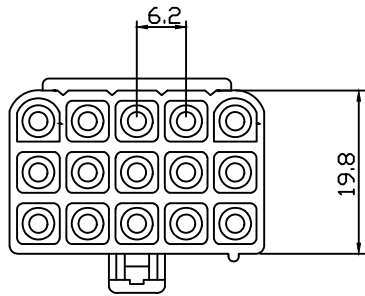
2-Double Layer

3-Three Layer

Pin Number:1~15 Pins

MH=Male Hosing/FH=Female Hosing

MT=Male Terminal/FT=Female Terminal



RHTAYM1-6.20-3x05-MH

RHTAYM1-6.20-3x04-MH

RHTAYM1-6.20-3x03-MH



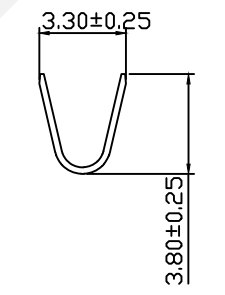
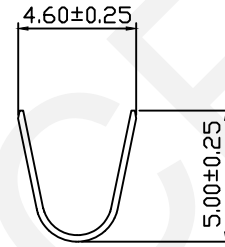
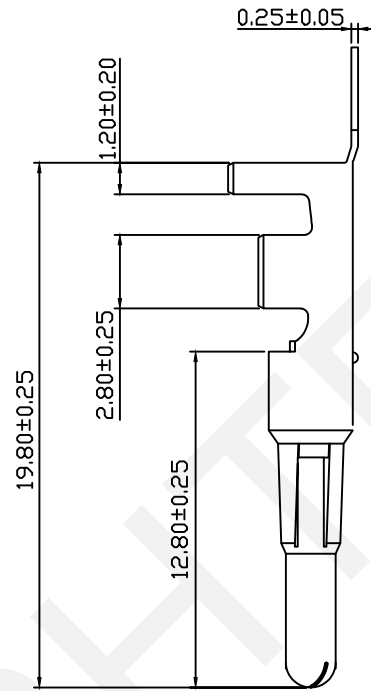
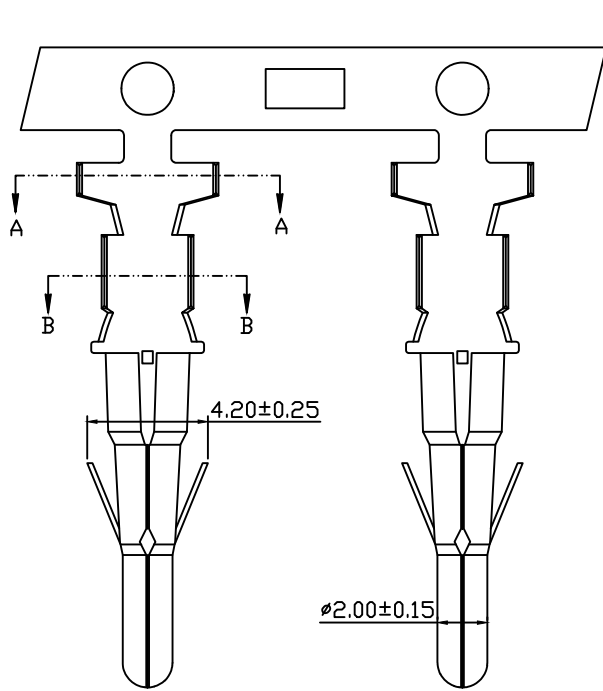
NINGBO RHT ELECTRONIC CO.,LTD

UNITS:mm	SHEET SIZE: A4	SCALE:---	DRWN BY PAN
0~3	3~18	18~50	50~120
±0.12	±0.15	±0.3	±0.5

CHK'D BY FENG
APPR BY ZHAN

6.20mm L Type Wire To Wire Connector	
THIRD ANGLE PROJECTION	RHTAYM1-6.20-3xXX-MH

RoHS Compliance



Specifications

Terminal :Phosphor Bronze

Finish : Plated Tin Or Gold Flash

Lead over Nickel

Current Rating: 10A AC,DC

Voltage Rating: 300V AC,DC

Temperature Range: -45°C~+85°C

Insulator Resistance: 1000MΩ/Min.

Withstanding Voltage: 5000V AC/Minute

Contact Resistance: 10MΩ/Max

Order Information:

RHTAYM1-6.20-MT

Wire To Wire

Connector

Pitch:6.20mm

Type:

MT=Male Terminal

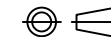
FT=Female Terminal

RHTECP NINGBO RHT ELECTRONIC CO.,LTD

UNITS:mm	SHEET SIZE: A4			SCALE:---	DRWN BY PAN
0~3	3~18	18~50	50~120	CHK'D BY FENG	
±0.12	±0.15	±0.3	±0.5	APPR BY ZHAN	

6.20mm L Type Wire To Wire Connector

THIRD ANGLE PROJECTION



RHTAYM1-6.20-MT