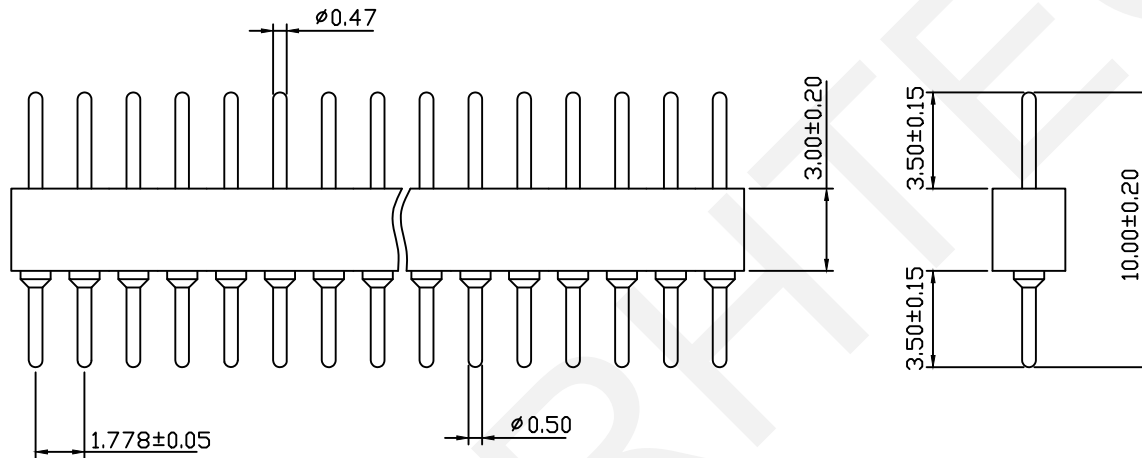
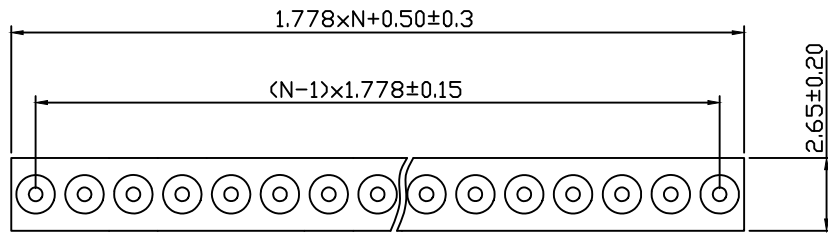


RoHS Compliance



Material:

Housing:30% Glass Filled PPS UL94V-0

Contacts:Brass

Plating: Gold 1.25u" Over 50u" Nickel

Electrical Characteristics:

Current Rating :2.0AMP

Voltage Rating :60V AC/DC

Insulator Resistance:1000MΩ min.at 100V AC

Contact Resistance:20mΩ max.

Operating Temperature:-40°C~+105°C

Order Information:

RHTAY09XD-1-XX-S1

IC Socket

ROW

1-Single Layer

2-Double Layer

No.of 2~50 Pins

Type:

S1 Straight Pin(L10.0mm)

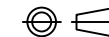
S2-Straight Pin(L12.1mm)

R-Right Angle Pin

RHTECP NINGBO RHT ELECTRONIC CO.,LTD

UNITS:mm	SHEET SIZE: A4		SCALE:---		DRWN BY PAN
0~3	3~18	18~50	50~120	CHK'D BY FENG	
±0.12	±0.15	±0.3	±0.5	APPR BY ZHAN	

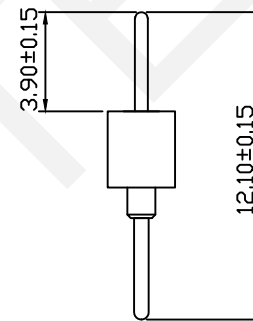
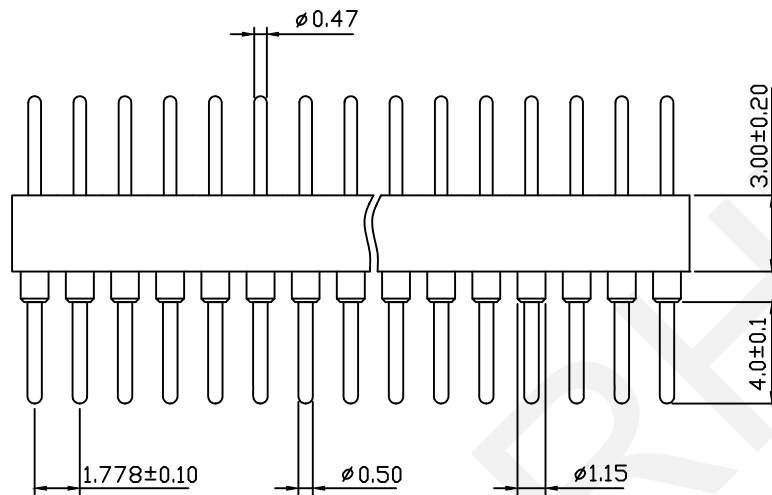
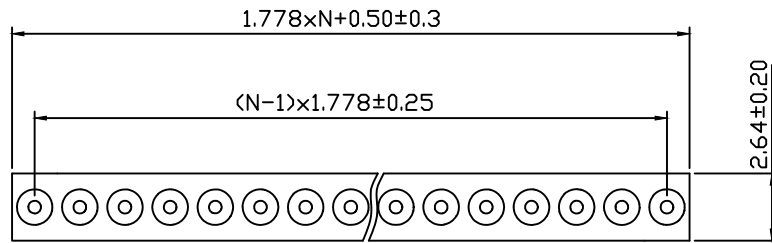
THIRD ANGLE PROJECTION



1.778mm Round Pin Header
SIP Socket Connector

RHTAY09XD-1-XX-S1

RoHS Compliance



Material:
 Housing:30% Glass Filled PPS UL94V-0
 Contacts:Brass
 Plating: Gold 1.25u" Over 50u" Nickel

Electrical Characteristics:
 Current Rating :2.0AMP
 Voltage Rating :60V AC/DC
 Insulator Resistance:1000MΩ min.at 100V AC
 Contact Resistance:20mΩ max.
 Operating Temperature:-40°C~+105°C

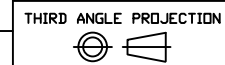
Order Information:

RHTAY09XD-1-XX-S2

IC Socket
 ROW
 1-Single Layer
 2-Double Layer
 No.of 2~50 Pins
 Type:
 S1 Straight Pin(L10.0mm)
 S2-Straight Pin(L12.1mm)
 R-Right Angle Pin

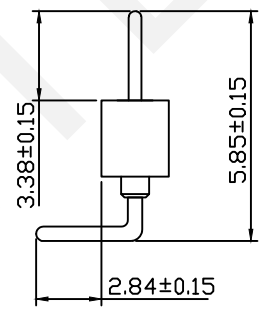
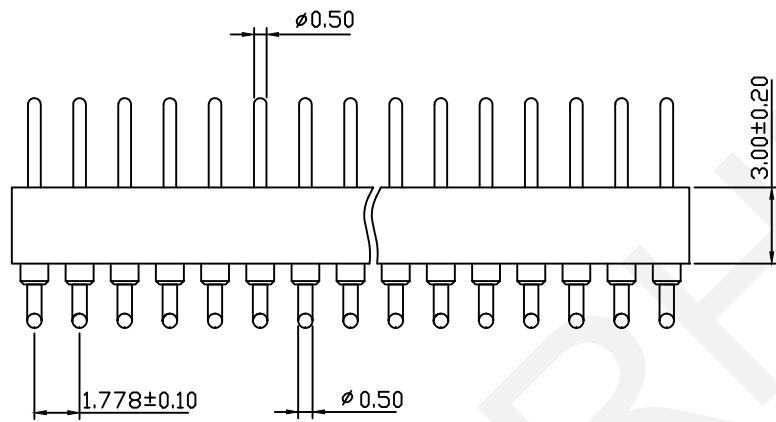
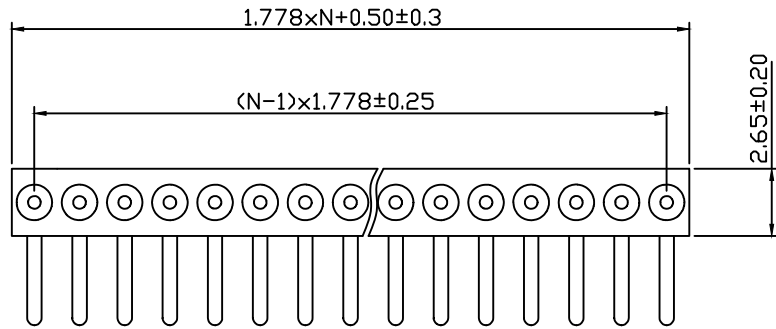
RHTECP NINGBO RHT ELECTRONIC CO.,LTD

UNITS:mm	SHEET SIZE: A4			SCALE:---	DRWN BY PAN
0~3	3~18	18~50	50~120	CHK'D BY FENG	
±0.12	±0.15	±0.3	±0.5	APPR BY ZHAN	



1.778mm Round Pin Header
 SIP Socket Connector
 RHTAY09XD-1-XX-S2

RoHS Compliance

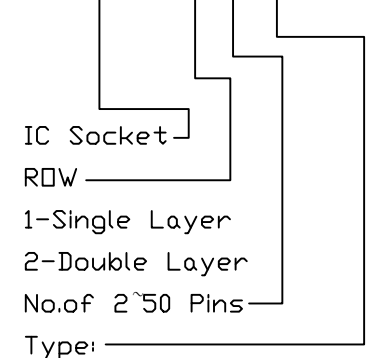


Material:
 Housing:30% Glass Filled PPS UL94V-0
 Contacts:Brass
 Plating: Gold 1.25u" Over 50u" Nickel

Electrical Characteristics:
 Current Rating :2.0AMP
 Voltage Rating :60V AC/DC
 Insulator Resistance:1000MΩ min.at 100V AC
 Contact Resistance:20mΩ max.
 Operating Temperature:-40°C~+105°C

Order Information:

RHTAY09XD-1-XX-R

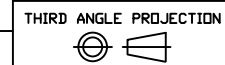


S1 Straight Pin(L10.0mm)
 S2-Straight Pin(L12.1mm)
 R-Right Angle Pin



NINGBO RHT ELECTRONIC CO.,LTD

UNITS:mm	SHEET SIZE: A4		SCALE:---		DRWN BY PAN
0~3	3~18	18~50	50~120	CHK'D BY FENG	
±0.12	±0.15	±0.3	±0.5	APPR BY ZHAN	



1.778mm Round Pin Header
 SIP Socket Connector

RHTAY09XD-1-XX-R