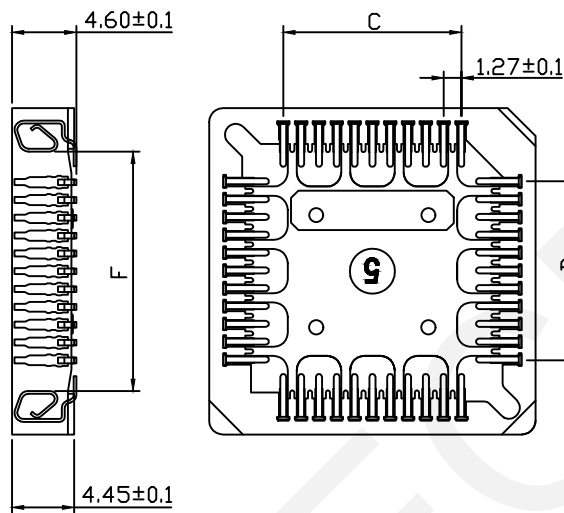
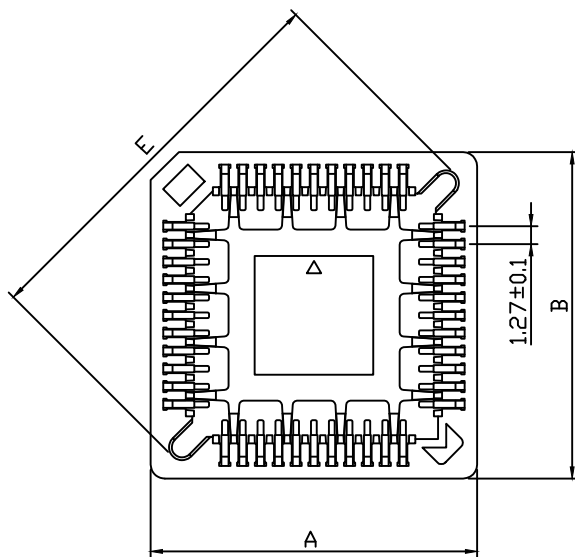
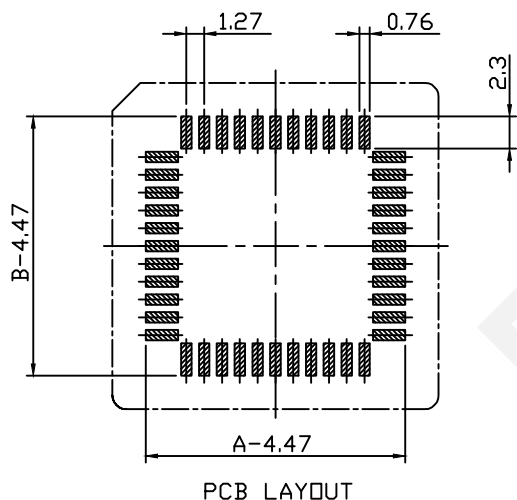


RoHS Compliance



Material:
 Standard:PPS
 Insulator:Polyester,UL94V-0
 Contacts:Phosphor Bronze
 Plating:Sn Over Ni

Electrical Characteristics:
 Current Rating : 3.0AMP
 Contact Resistance: 20MΩ Max
 Withstand Voltage: 1000V AC/DC
 Insulator Resistance: 1000MΩ Min
 Operating Temperature:-40°C~+105°C
 Max.Processing Temp:230°C For 30-60
 Seconds (260°C For 10 Seconds)



PIN	A	B	C	D	E	F
20	15.60	15.65	5.08	5.08	17.28	9.36
28	18.19	18.19	7.62	7.62	20.87	12.00
32	18.15	20.65	7.62	10.16	22.90	14.40
44	23.27	23.27	12.70	12.70	28.30	16.99
52	25.81	25.81	15.24	15.24	31.65	19.54
68	30.89	30.89	20.32	20.32	38.83	24.62
84	35.97	35.97	25.40	25.40	46.00	29.70

Order Information:

RHTAYB10-S-XX-A

PLCC Socket

Type:

D=DIP S=SMT

XX-No.of 20~84 Pins

Color:

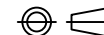
A=Brown B=Black

NINGBO RHT ELECTRONIC CO.,LTD

UNITS:mm	SHEET SIZE: A4	SCALE:---	DRWN BY PAN
0~3	3~18	18~50	50~120
±0.12	±0.15	±0.3	±0.5
CHK'D BY FENG		APPR BY ZHAN	

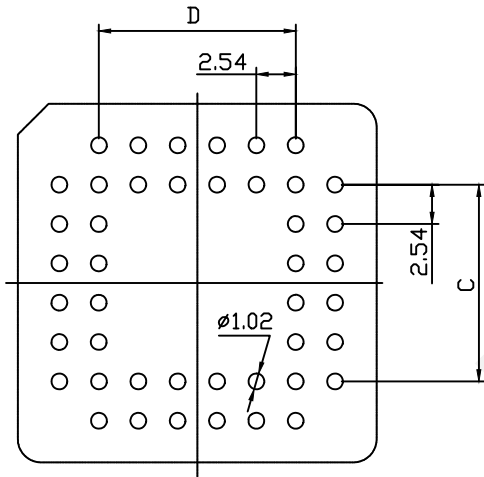
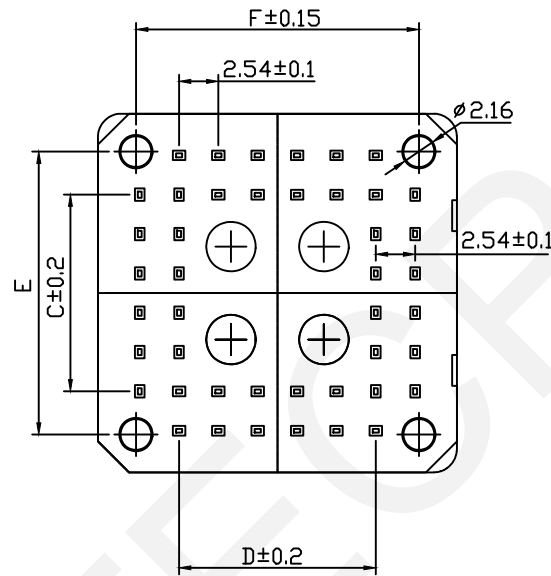
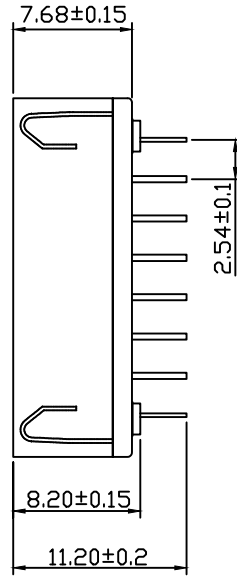
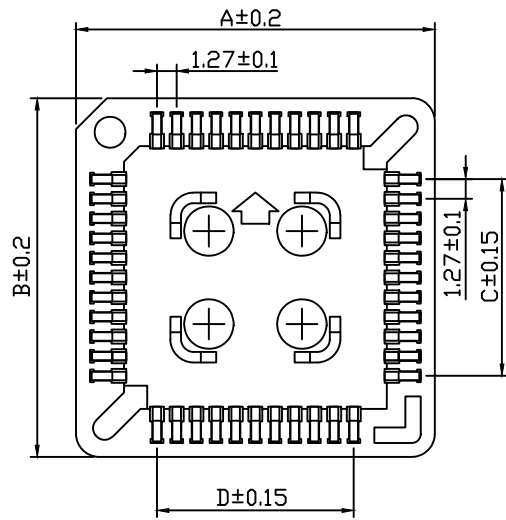
Pitch 127mm Dip PLCC Socket Connector

THIRD ANGLE PROJECTION



RHTAYB10-S-XX-A

RoHS Compliance



PCB LAYOUT

PIN	A	B	C	D	E	F
20	15.60	15.65	5.08	5.08	10.00	10.00
28	18.09	18.09	7.62	7.62	12.90	12.90
32	18.04	20.60	7.62	10.16	15.40	12.90
44	23.10	23.10	12.70	12.70	18.00	18.00
52	25.70	25.70	15.24	15.24	20.50	20.50
68	30.80	30.80	20.32	20.32	25.75	25.75
84	35.95	35.95	25.40	25.40	30.90	30.90

Material:
 Standard: PPS/PBT
 Insulator: Polyester, UL94V-0
 Contacts: Phosphor Bronze
 Plating: Au Or Sn Over Ni

Electrical Characteristics:
 Current Rating : 3.0AMP
 Contact Resistance: 20MΩ Max
 Withstand Voltage: 1000V AC/DC
 Insulator Resistance: 1000MΩ Min
 Operating Temperature: -40°C~+105°C

Order Information:

RHTAYB10-D-XX-A

PLCC Socket

Type:

D=DIP S=SMT

XX-No. of 20~84 Pins

Color:

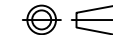
A=Brown B=Black

NINGBO RHT ELECTRONIC CO.,LTD

UNITS:mm	SHEET SIZE: A4			SCALE:---	DRWN BY PAN
0~3	3~18	18~50	50~120	CHK'D BY FENG	
±0.12	±0.15	±0.3	±0.5	APPR BY ZHAN	

Pitch 127mm Dip PLCC Socket Connector

THIRD ANGLE PROJECTION



RHTAYB10-D-XX-A