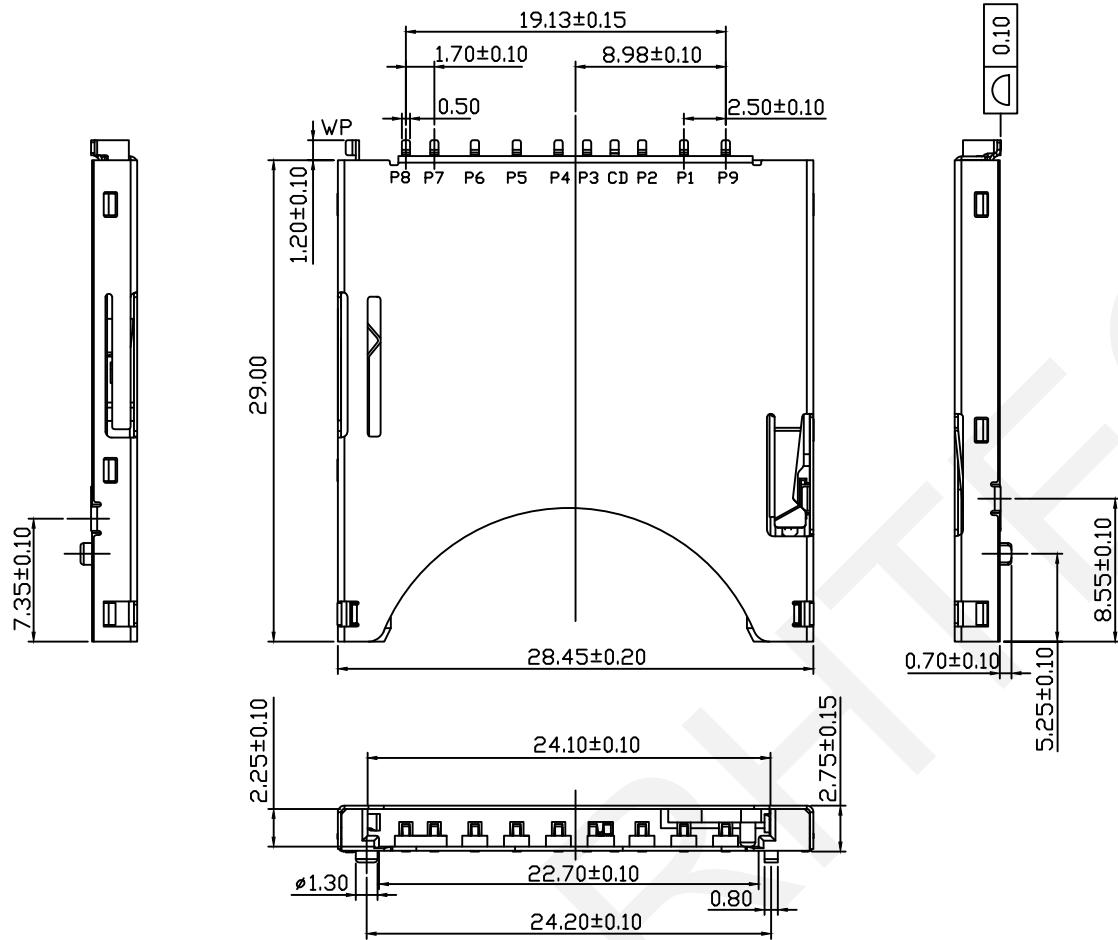


RoHS Compliance



Material:

Insulator: High Temperature Thermoplastic, UL94V-0

Contact: Copper Alloys, Plated 50u" Ni Overall Plated Au Selective Contact Area, Plated 100u" Sn Over Ni On Solder Area.

Shell: Plated 50u" Ni Overall

Electrical:

Voltage Rating: 125V AC/DC

Current Rating: 0.5mA AC/DC Max.

Ambient Temperature Range: -20°C ~ +60°C

Storage Temperature Range: -40°C ~ +70°C

Ambient Humidity Range: 95% R.H. Max.

Contact Resistance: 100mΩ Max.

Insulation Resistance: 1000MΩ Min./500V DC

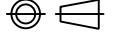
Mating Cycles: 10000 Insertions.

PIN NO.	SD	MMC
P1	MMC-DAT,SD-DAT3	1P 1P
P2	MMC-CMD,SD-CMD	2P 2P
P3	MMC-VSS1,SD-VSS1	3P 3P
P4	MMC-VDD,SD-VDD	4P 4P
P5	MMC-CLK,SD-CLK	5P 5P
P6	MMC-VSS2,SD-VSS2	6P 6P
P7	MMC-ADT,SD-DAT0	7P 7P
P8	SD-DAT1	8P
P9	SD-DAT2	9P

 NINGBO RHT ELECTRONIC CO.,LTD

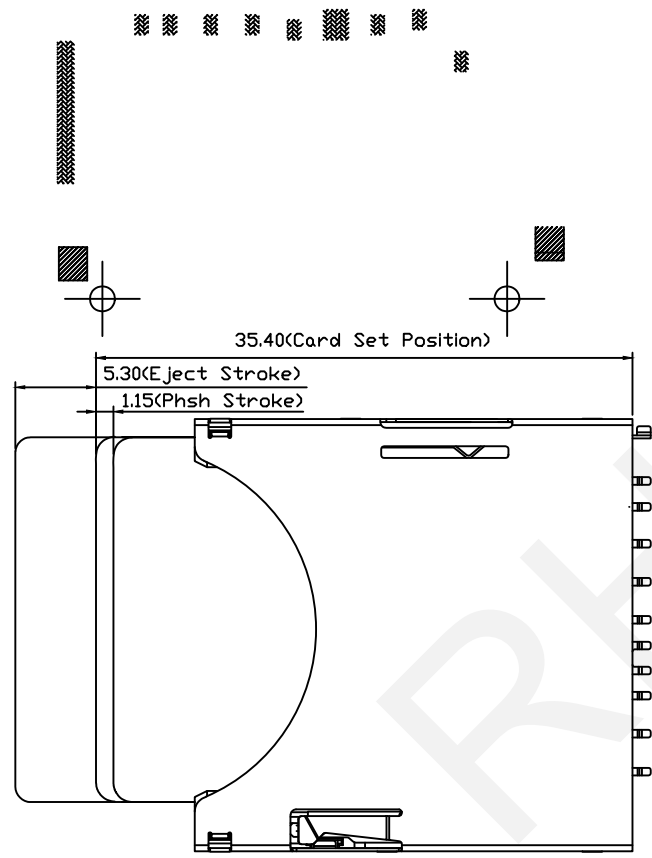
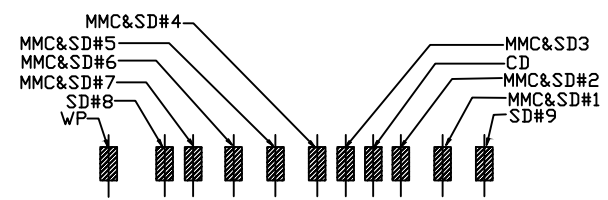
UNITS:mm	SHEET SIZE: A4	SCALE: ---	DRWN BY PAN
0~3	3~18	18~50	50~120
±0.12	±0.15	±0.3	±0.5

CHK'D BY FENG
APPR BY ZHAN

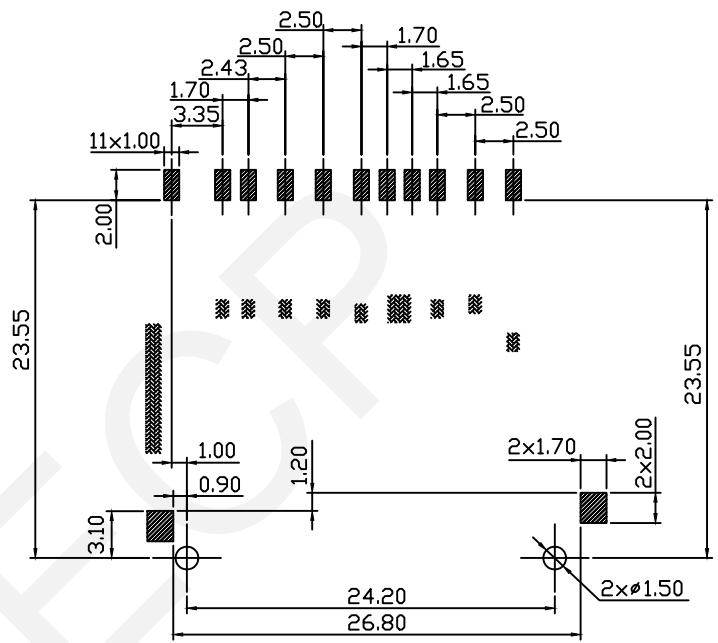
SD Card CONN,PUSH/PUSH,
H2.80mm,SMD With CD Pin
THIRD ANGLE PROJECTION
 RHTAYD-001

RoHS Compliance

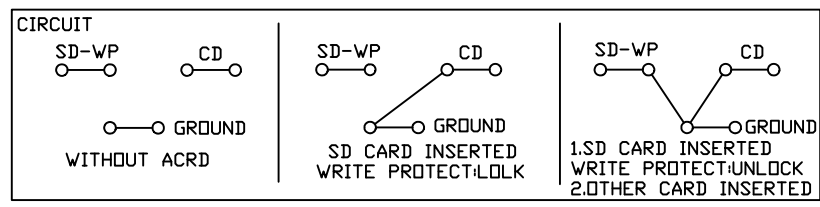
PIN ASSIGNMENT:



View Of Inserted Card

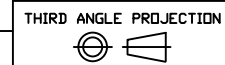


- Welding Area
- Prohibited Layout Area



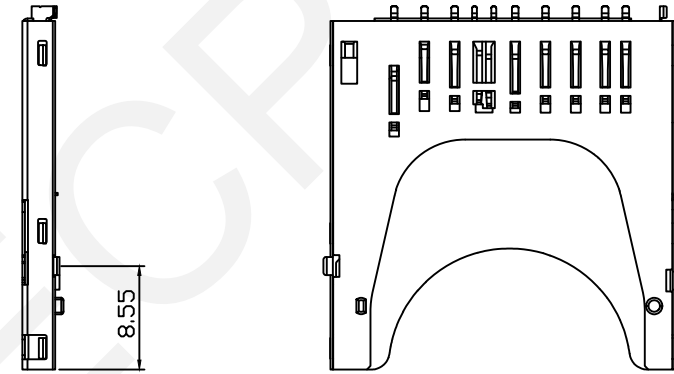
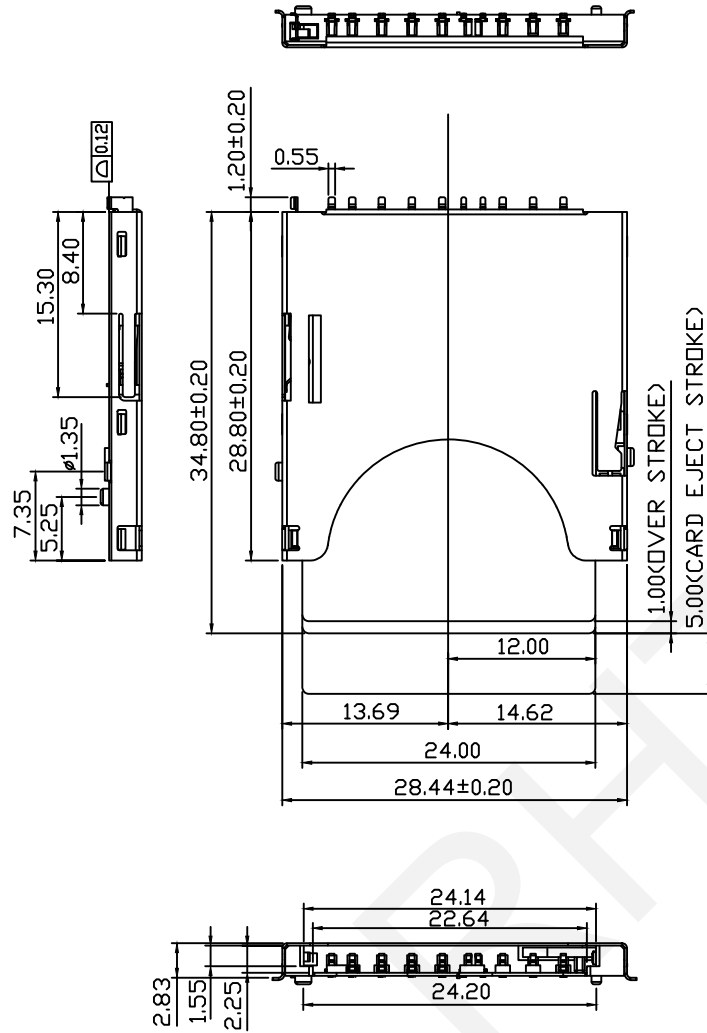
NINGBO RHT ELECTRONIC CO.,LTD

UNITS:mm	SHEET SIZE: A4				SCALE:---	DRWN BY PAN
0~3	3~18	18~50	50~120	CHK'D BY FENG	SD Card CONN,PUSH/PUSH, H2.80mm,SMD With CD Pin	
±0.12	±0.15	±0.3	±0.5	APPR BY ZHAN	THIRD ANGLE PROJECTION	RHTAYD-001



RHTAYD-001

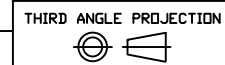
RoHS Compliance



Material:
 Housing:High Temperature Plastic,UL94V-0.Black
 Contact:Copper Alloys.
 Shell:Stainless.

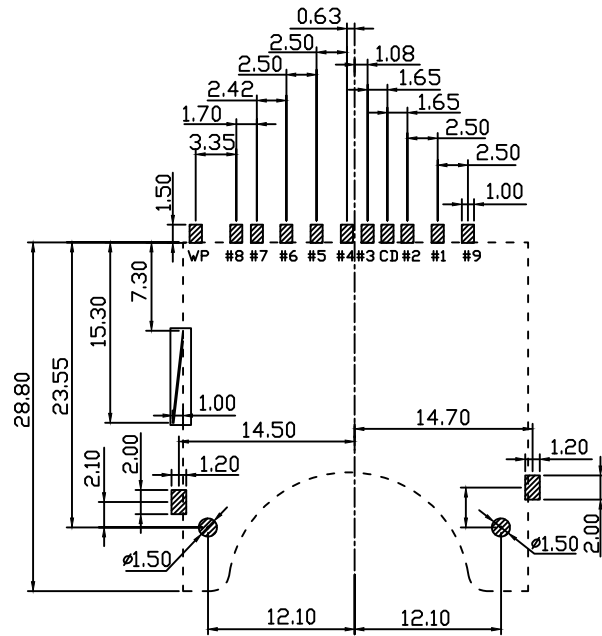
Plating:
 Contact Area:Gold Flash.
 Solder Area:Matte Tin Plated.
 Under Plate:Nickel.
 Shell:Nickel Plated Over All.
 Solder Area:Gold Flash.

UNITS:mm	SHEET SIZE: A4				SCALE:---	DRWN BY PAN
0~3	3~18	18~50	50~120	CHK'D BY FENG	SD Card CONN,PUSH/PUSH, H2.80mm,SMD With CD Pin	
±0.12	±0.15	±0.3	±0.5	APPR BY ZHAN	THIRD ANGLE PROJECTION	RHTAYD-101

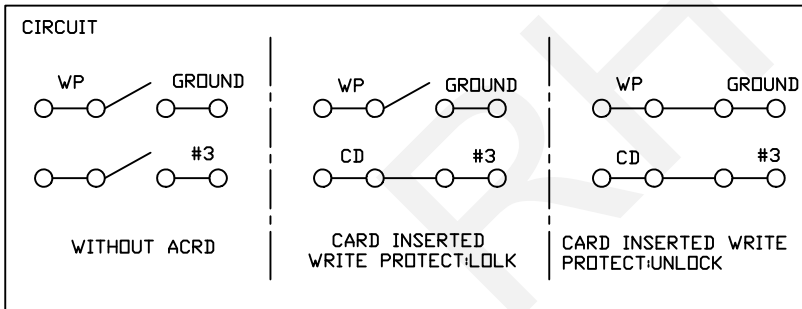
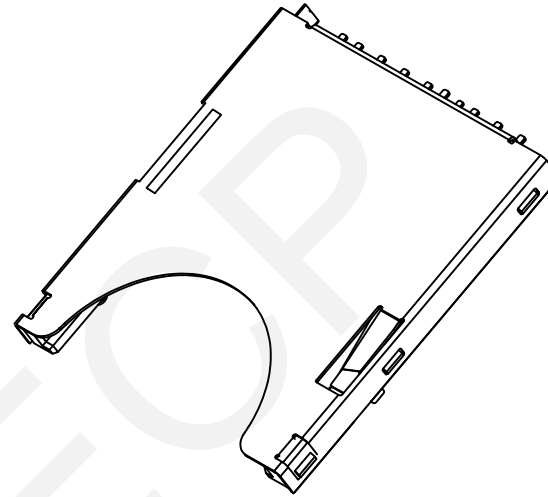


RHTECP NINGBO RHT ELECTRONIC CO.,LTD

RoHS Compliance



PCB LAYOUT



PIN NO	NAME	TYPE	DESCRIPTION
#1	CD/DAT3	I/O/PP	CARD EDTECT DATE LINK<BIT3>
#2	CMD	PP	COMMAND RESPONSE
#3	VSS1	S	SUPPLY VOLTAGE GROUND
#4	VDD	S	SUPPLY VOLTAGE
#5	CLK	I	CLOCK
#6	VSS2	S	SUPPLY VOLTAGE GROUND
#7	DAT0	I/O/PP	DATE LINE<BIT0>
#8	DAT1	I/O/PP	DATE LINE<BIT1>
#9	DAT2	I/O/PP	DATE LINE<BIT2>

NINGBO RHT ELECTRONIC CO.,LTD

UNITS:mm SHEET SIZE: A4 SCALE:1:---
 0~3 3~18 18~50 50~120
 ±0.12 ±0.15 ±0.3 ±0.5

DRWN BY PAN
 CHK'D BY FENG
 APPR BY ZHAN

SD Card CONN,PUSH/PUSH,
 H2.80mm,SMD With CD Pin
 THIRD ANGLE PROJECTION
 RHTAYD-101