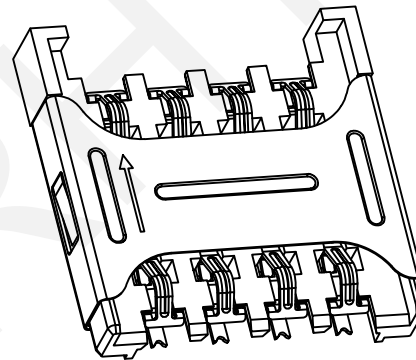
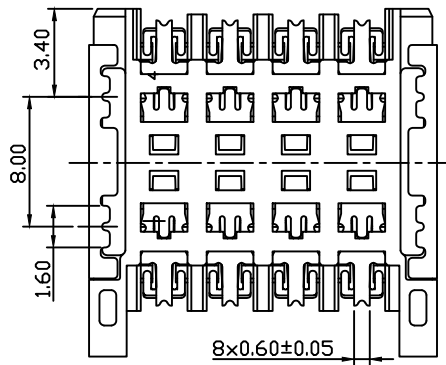


Material:
 Base:Hi-Temp Thermoplastic,UL94V-0,Black
 Data Contact:Copper Alloy,Gold Plated.
 Shell:Stainless Steel,Gold Plated.

Electrical:
 1.General Characteristics
 Dimensions:13.40Lx13.40Wx2.40H mm
 Weight:Approx0.40±0.1g
 Durability:5000 Cycles Min.
 2.Electrical Characteristics
 Contact Resistance:50mΩ Typical, 100Ω Max.
 Insulation Resistance:>1000MΩ/500V DC.
 3.Solderability
 Vapor Phase:215°C,30Sec.Max.
 IR reflow:250°C,5Sec.Max.
 Manual Soldering:370°C,3Sec.Max.
 4.Environmental Characteristics
 Operating Temperature:-40°C TO+85°C
 Operating Humidity:10%~+95%RH



NINGBO RHT ELECTRONIC CO.,LTD

UNITS:mm	SHEET SIZE : A4			SCALE:---	DRWN BY PAN
0~3	3~18	18~50	50~120	CHK'D BY FENG	
±0.12	±0.15	±0.3	±0.5	APPR BY ZHAN	

Micro SIM Card CONN,8P,H2.4mm,SMD	
THIRD ANGLE PROJECTION	RHTAYIM-044-8P

