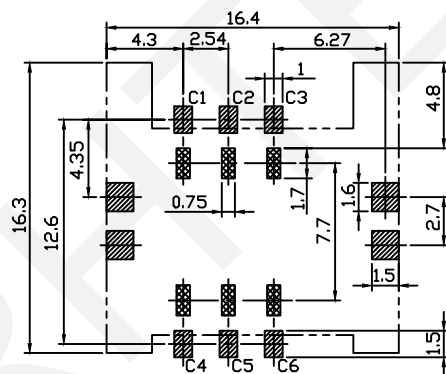


C1:VCC
 C2:RST
 C3:CLK
 C5:GND
 C6:VPP
 C7:I/O



RECOMMENDED PCB LAYOUT
 TOP VIEW(XX±0.05)

■ Prohibited Area ▨ Solder Area

Material:
 Housing:High Thermoplastic,UL94V-0.Black
 Contact:Copper Alloy.
 Shell:Copper Alloy.

Finish:
 Contact:Gold Over Nickel.
 Shell:Nickel Over All Over

Electrical:
 Voltage Rating:30V
 Current Rating:0.5 A
 Operating Temp:-20°C TO +85°C