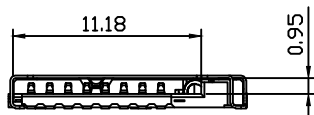
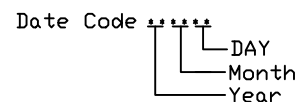
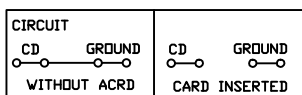


Recommended PCB Layout
Tolerance:±0.05mm



Switch Insert Card State



Notes:

1.Material:

Housing:High Tempertgure Thermoplastic UL94V-0; Color Black.
Terminal:Copper Alloy
Shell:Stainless Steel

2.PLATING:

Contact:Contact Area:Au G/F
Solder Area Matte Tin 80u*Min.
Under Plate Ni 40u*Min All Over
Shell: Solder Area:Au G/F,Under Plate Ni 50u*Min All Over
CD PIN: Contact Area:Au G/F,Under Plate Ni 50u*Min All Over

3.Electric:

Rated Current:1.0A Rated Voltage:30V
Contact Resistance:50mΩ Max
Insulation Resistance:1000MΩ Min 500V DC
Dielectric Withstanding Voltage: 500V AC
Solder Ability:255±5°C,5±0.5s
Durability:10000 Cycles Min.
Operating Condition:Temperature-40°C~+85°C Humldity 80% R.H Max

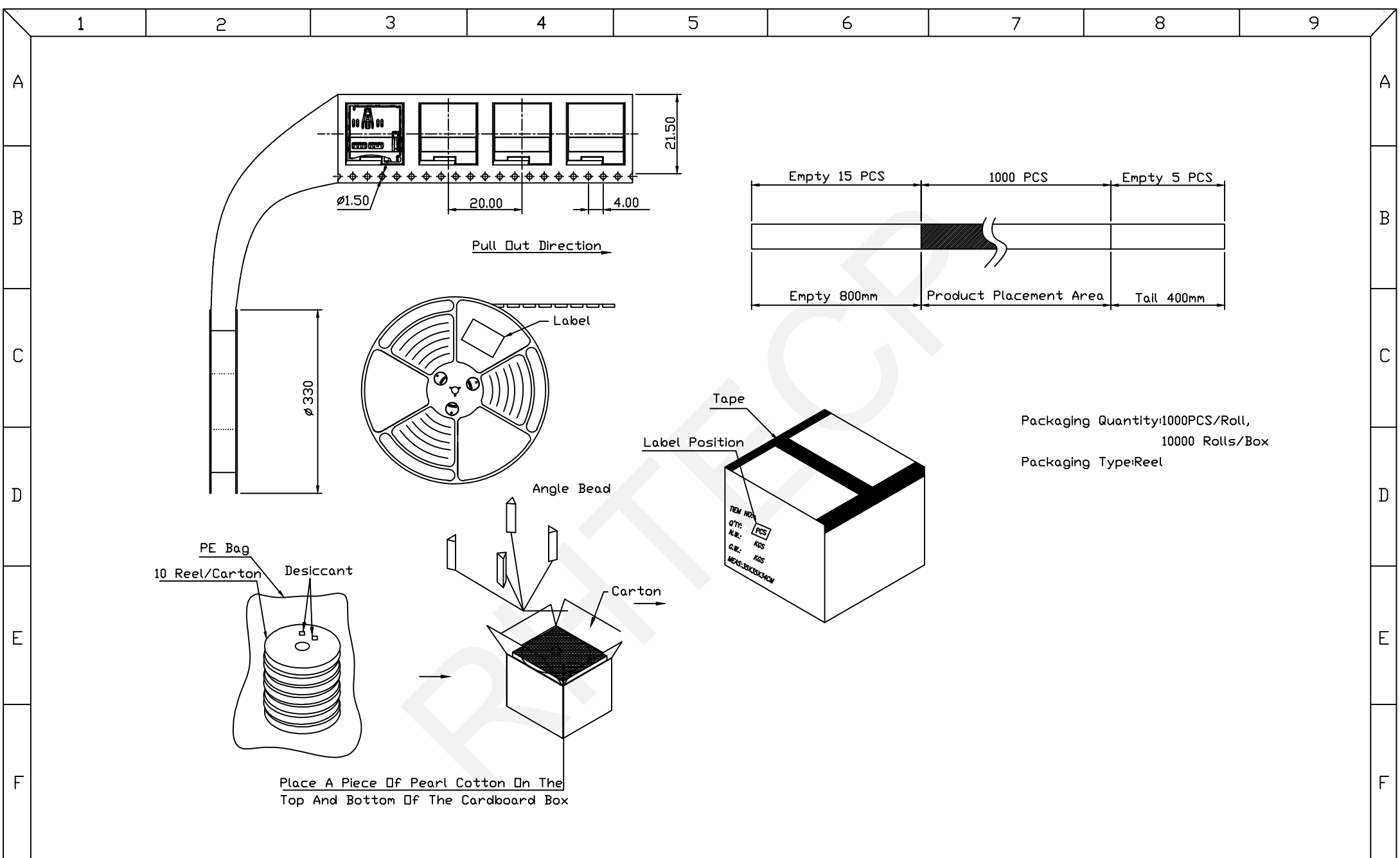
PIN NO.	MICRO SD
PIN 1	DAT2 1P
PIN 2	CD/DAT3 2P
PIN 3	CMD 3P
PIN 4	VDD 4P
PIN 5	CLK 5P
PIN 6	VSS 6P
PIN 7	DAT0 7P
PIN 8	DAT1 8P
PIN 9	CARD DETECT
PIN 10	

UNITS:mm	SHEET SIZE: A4	SCALE:---	DRWN BY PAN
0~3	3~18	18~50	50~120
±0.12	±0.15	±0.3	±0.5
			CHK'D BY FENG
			APPR BY ZHAN

Card Connector Push Push, H1.85mm,Normally Closed	
THIRD ANGLE PROJECTION 	RHTAY20F-001



NINGBO RHT ELECTRONIC CO.,LTD



Packaging Quantity: 1000PCS/Roll,
10000 Rolls/Box
Packaging Type: Reel

Place A Piece Of Pearl Cotton On The
Top And Bottom Of The Cardboard Box

G	NINGBO RHT ELECTRONIC CO.,LTD	UNITS:mm	SHEET SIZE: A4	SCALE:---	DRWN BY PAN	Card Connector Push Push, H1.85mm, Normally Closed			
		0~3	3~18	18~50	50~120	CHK'D BY FENG	THIRD ANGLE PROJECTION 	RHTAY20F-001	
		±0.12	±0.15	±0.3	±0.5	APPR BY ZHAN			
1	2	3	4	5	6	7	8	9	