

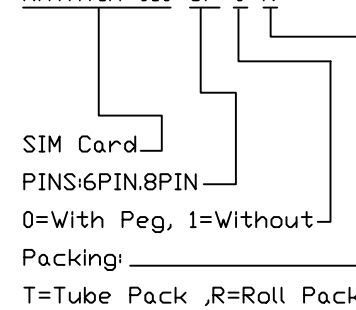
PCB LAYOUT

Material:
Insulator Body:LCP
Contact:Copper Alloy

Plating:
Finish: Tin Gold Or Duplex Plated.
Standard:Gold Flash All Over Nickel.

Electrical:
Current Rating:3Amps
Insulation Resistance:5000MΩ Min.
Dielectric Withstanding:DC 500V
Contact Resistance:20mΩ Max.
Durability:100gf Cycles Min.
Operating Temperature:-40°C T₀+105°C

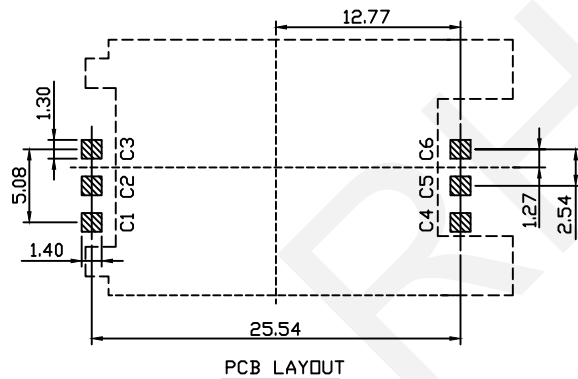
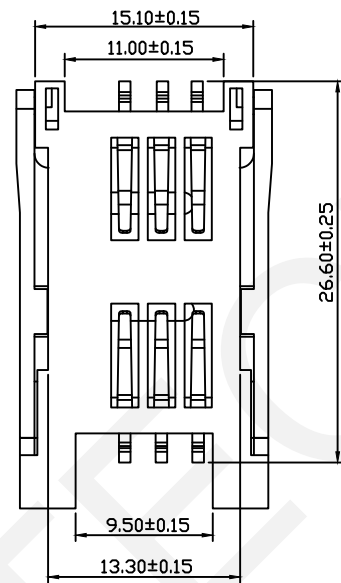
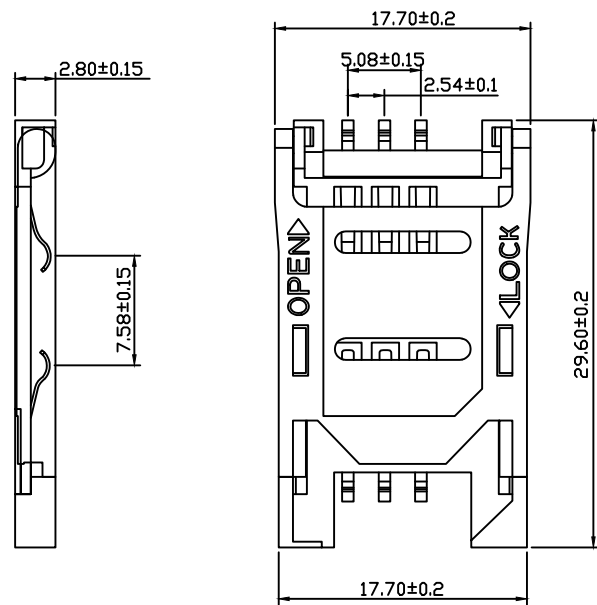
Order Information:
RHTAYIM-010-6P-0-R



RHTECP NINGBO RHT ELECTRONIC CO.,LTD

UNITS:mm	SHEET SIZE: A4			SCALE:---	DRWN BY PAN
0~3	3~18	18~50	50~120	CHK'D BY FENG	
±0.12	±0.15	±0.3	±0.5	APPR BY ZHAN	

SIM CARD CONN,Hinged Type.
6P& 8P, H2.8mm, SMD
THIRD ANGLE PROJECTION
 RHTAYIM-010-6P-0-R

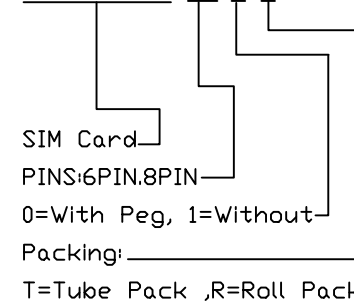


Material:
Insulator Body:LCP
Contact:Copper Alloy

Plating:
Finish: Tin Gold Or Duplex Plated.
Standard:Gold Flash All Over Nickel.

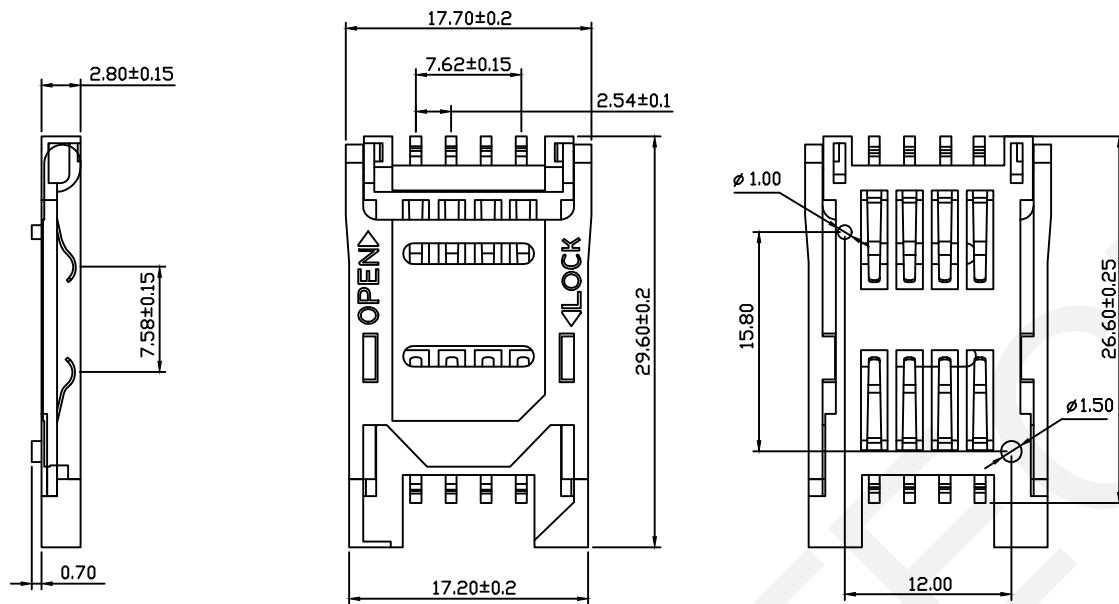
Electrical:
Current Rating:3Amps
Insulation Resistance:1000MΩ Min.
Withstanding Voltage:AC 1000V
Contact Resistance:20mΩ Max.
Durability:100gf Cycles Min.
Operating Temperature:-40°C T₀+105°C
Max.Processing Temp:230°C For 30-60 Seconds
(260°C For 10 Seconds)

Order Information:
RHTAYIM-010-6P-1-R



UNITS:mm	SHEET SIZE: A4	SCALE:---	DRWN BY PAN
0~3	3~18	18~50	50~120
±0.12	±0.15	±0.3	±0.5
CHK'D BY FENG		APPR BY ZHAN	

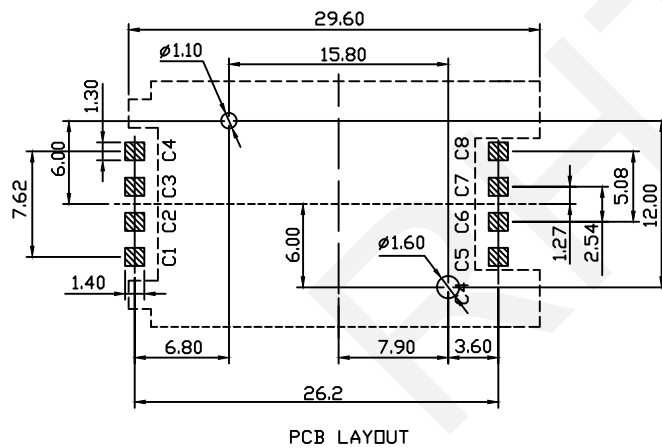
SIM CARD CONN,Hinged Type. 6P& 8P, H2.8mm, SMD	
THIRD ANGLE PROJECTION 	RHTAYIM-010-6P-1-R



Material:
 Insulator Body:LCP
 Contact:Copper Alloy

Plating:
 Finish: Tin Gold Or Duplex Plated.
 Standard:Gold Flash All Over Nickel.

Electrical:
 Current Rating:3Amps
 Insulation Resistance:5000M Ω Min.
 Dielectric Withstanding:DC 500V
 Withstanding Voltage:AC 1000V
 Contact Resistance:20m Ω Max.
 Durability:100gf Cycles Min.
 Operating Temperature:-40°C TO+105°C



Order Information:

RHTAYIM-010-8P-0-R

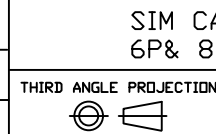
SIM Card
 PINS:6PIN,8PIN
 0=With Peg, 1=Without
 Packing:
 T=Tube Pack ,R=Roll Pack



NINGBO RHT ELECTRONIC CO.,LTD

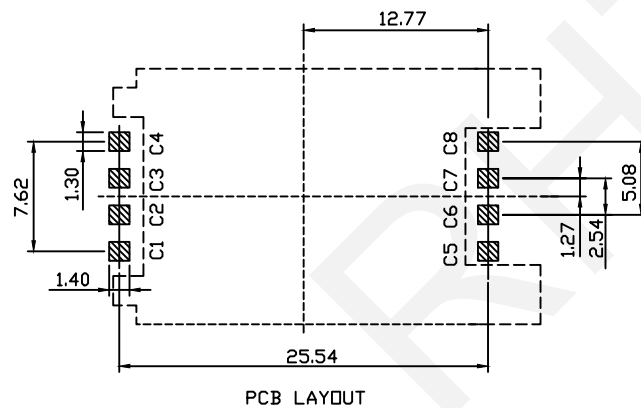
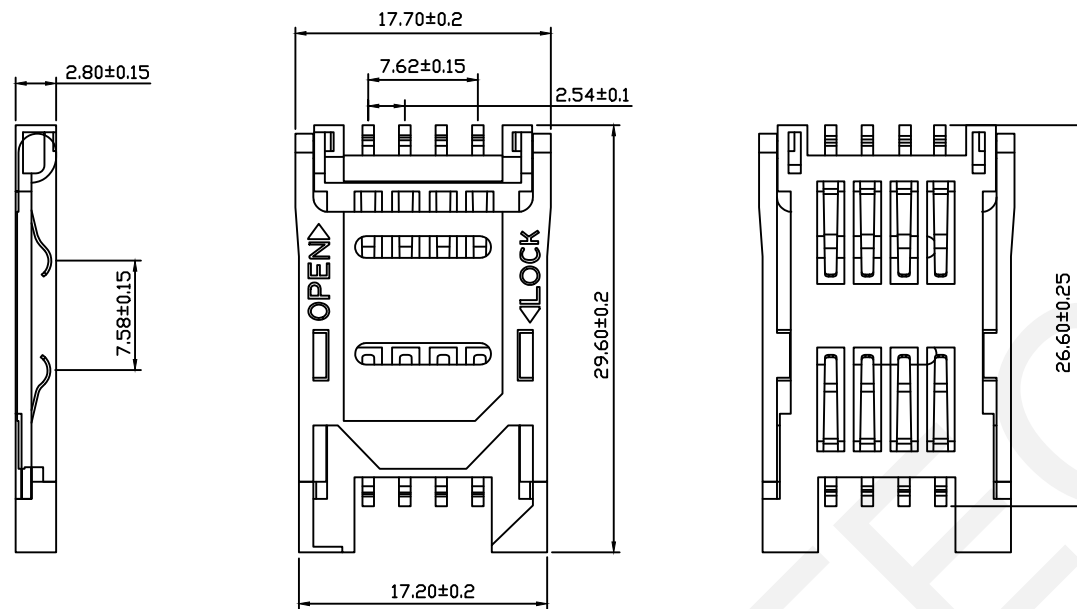
UNITS:mm	SHEET SIZE: A4	SCALE:---	DRWN BY PAN
0~3	3~18	18~50	50~120
± 0.12	± 0.15	± 0.3	± 0.5

CHK'D BY FENG
APPR BY ZHAN



SIM CARD CONN,Hinged Type.
 6P& 8P, H2.8mm, SMD

RHTAYIM-010-8P-0-R



Material:
 Insulator Body:LCP
 Contact:Copper Alloy

Plating:
 Finish: Tin Gold Or Duplex Plated.
 Standard:Gold Flash All Over Nickel.

Electrical:
 Current Rating:3Amps
 Insulation Resistance:5000MΩ Min.
 Dielectric Withstanding:DC 500V
 Withstanding Voltage:AC 1000V
 Contact Resistance:20mΩ Max.
 Durability:100gf Cycles Min.
 Operating Temperature:-40°C TO+105°C

Order Information:

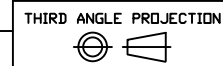
RHTAYIM-010-8P-1-R

SIM Card
 PINS:6PIN,8PIN
 0=With Peg, 1=Without
 Packing:
 T=Tube Pack ,R=Roll Pack

RHTECP NINGBO RHT ELECTRONIC CO.,LTD

UNITS:mm	SHEET SIZE: A4	SCALE:---	DRWN BY PAN
0~3	3~18	18~50	50~120
±0.12	±0.15	±0.3	±0.5

CHK'D BY FENG
 APPR BY ZHAN



SIM CARD CONN,Hinged Type.
 6P& 8P, H2.8mm, SMD

RHTAYIM-010-8P-1-R