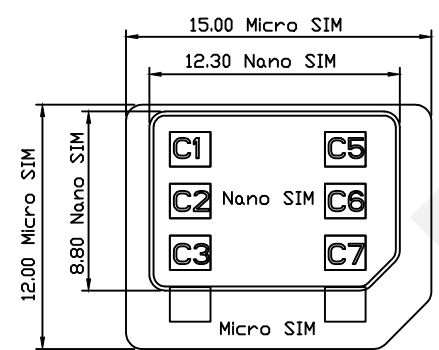
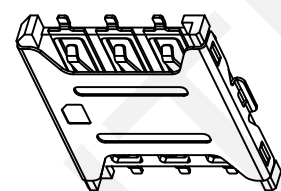


RECOMMENDED PCB LAYOUT
GENERAL TOLERANCE:±0.05



SIM Pin Assignment	
Pin#	Name
C1	VCC
C2	RST
C3	CLK
C5	GND
C6	VPP
C7	I/O

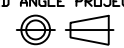
Material:
 Insulator:High Temperature Thermoplastic,UL94V-0
 Contact:C5210,Plated 50u" Ni Overall,Contact All Au 1u
 Shell:SUS,Plated 50u" Ni Overall,PAD Au 1u.

Electrical:Current Rating:0.5A AC/DC max.
 Voltage Rating:125V AC/DC
 Operating Temperature Range:-30°C TO +85°C.
 Storage Temperature Range:-40°C TO +70°C.
 Ambient Humidity Range:95% R.H.Max.
 Contact Resistance:100mΩ Max.
 Insulation Resistance:1000mΩ Min./500V DC
 Reflow Peak Temp:260°C±5°C,3-5s
 Mating Cycles:3000 Insertions Min.



NINGBO RHT ELECTRONIC CO.,LTD

UNITS:mm	SHEET SIZE: A4			SCALE:---	DRWN BY PAN
0~3	3~18	18~50	50~120	CHK'D BY FENG	
±0.12	±0.15	±0.3	±0.5	APPR BY ZHAN	

Nano SIM CARD CONN:PUSH
 PUSH,6P,H1.35mm,With Post
 THIRD ANGLE PROJECTION

 RHTAYIM-076-6P-H1.35-R