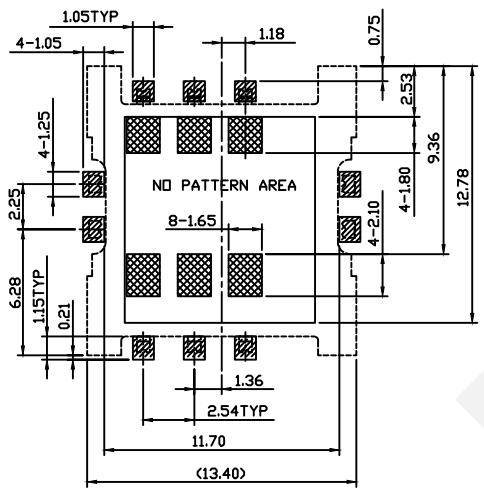
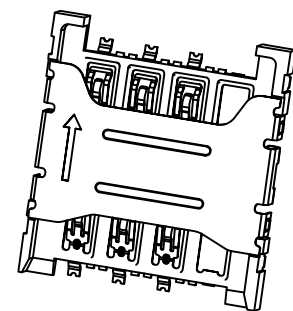


Material
 Housing:Thermoplastic,UL94V-0.
 Terminal:Copper Alloy,Gold Plated On Contact Area And Solder Tails,Nickel Plated Overall.
 Shell:Stainless Steel,Nickel Plated Overall.
 Gold Plated On Solder Tails.

Electrical:Current Rating:1.0 A max.
 Contact Resistance:30mΩ Max.
 Dielectric Withstanding Voltage:500V AC
 Insulation Resistance:1000mΩ Min./500V DC
 Operating Temperature:-40°C TQ+85°C.



PCB AREA
 CONNECT AREA
 KEEP OUT AREA
 RECOMMENDED PCB LAYOUT
 TOLERANCE±0.05 TOP VIEW



NINGBO RHT ELECTRONIC CO.,LTD

UNITS:mm	SHEET SIZE: A4			SCALE:---
0~3	3~18	18~50	50~120	
±0.12	±0.15	±0.3	±0.5	

DRWN BY PAN
 CHK'D BY FENG
 APPR BY ZHAN

Micro SIM CONN:PUSH/PULL,6Pin, H1.5mm
 THIRD ANGLE PROJECTION
 RHTAYIM-099-6P-H1.5-R