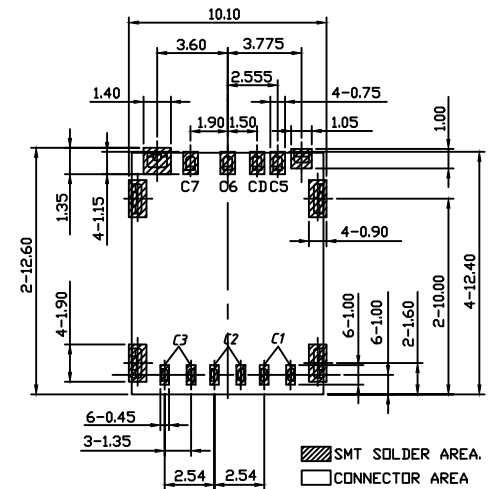
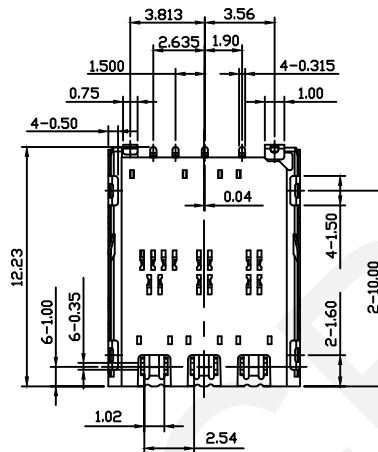
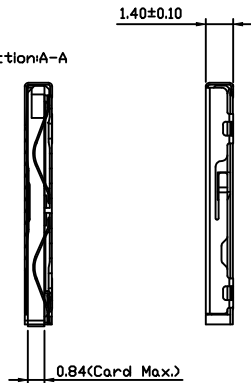


Section A-A



RECOMMENDED PCB LAYOUT TOP VIEW (TOLERANCE ±0.05)
RECOMMENDED METAL MASK T=0.12MM

Material:

1. Shell: SUS304, Ni Plated, G/F Plated On Solder Area
2. Base Insulator: LCP+GF30%, Black
3. Terminal: C5210, Au 1u' Plated

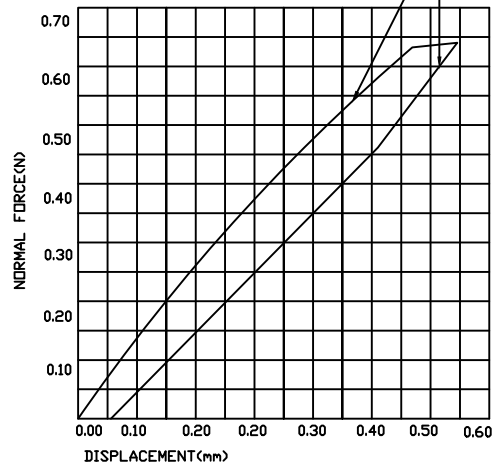
Electrical:

Rated Current: 0.5A Max; Rated Voltage: 30V AC; Durability: 5000 Cycles
Contact Resistance: 100mΩ Max; Insulation Resistance: 1000MΩ Min./500V DC
Dielectric Withstanding Voltage: 500V AC/minute; Solder Ability: 250±5°C, 10±0.5s
Operating Condition: Temperature -40°C TO +85°C; Humidity 80% R.H. Max.
Mating And unmating Force: Insertion Force 10N Max; Withdrawal Force 0.5N Min
Coplanarity: Before Ir 0.08mm Max; After Ir 0.10mm Max

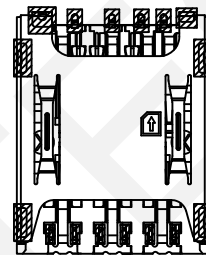
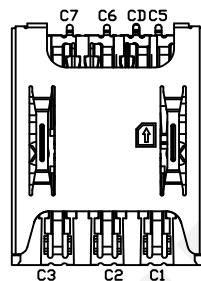
SW CIRCUIT DESCRIPTION FOR CONNECTOR

CARD INSERTION STATE	DETECT SWITCH CIRCUIT STATE	SCHEMATIC
UNMATED	OPENED	DETECT PIN [C1]
MATED	CLOSED	DETECT PIN [C1]

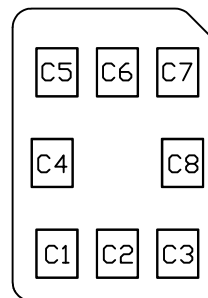
NORMAL FORCE CHART FOR CONTACT TERMINAL:



CURVE FOR NORMAL FORCE



Nano SIM Circuit Description	
PIN NO.	FUNCTION
C1	VCC
C2	RST
C3	CLK
C4	Reserved
C5	GND
C6	VPP
C7	I/O
C8	Reserved

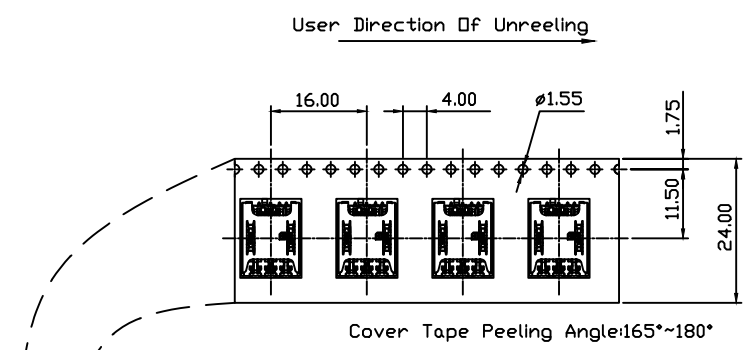


NINGBO RHT ELECTRONIC CO.,LTD

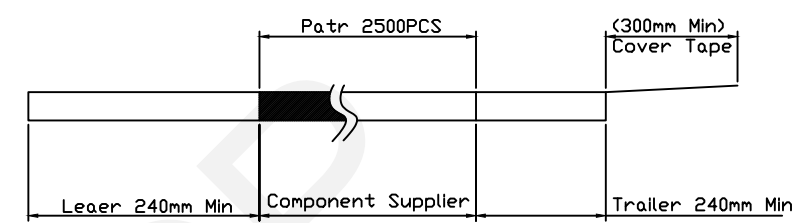
UNITS:mm	SHEET SIZE: A4	SCALE:---	DRWN BY PAN
0~3	3~18	18~50	50~120
±0.12	±0.15	±0.3	±0.5

CHK'D BY FENG
APPR BY ZHAN

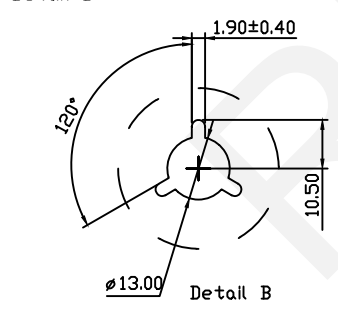
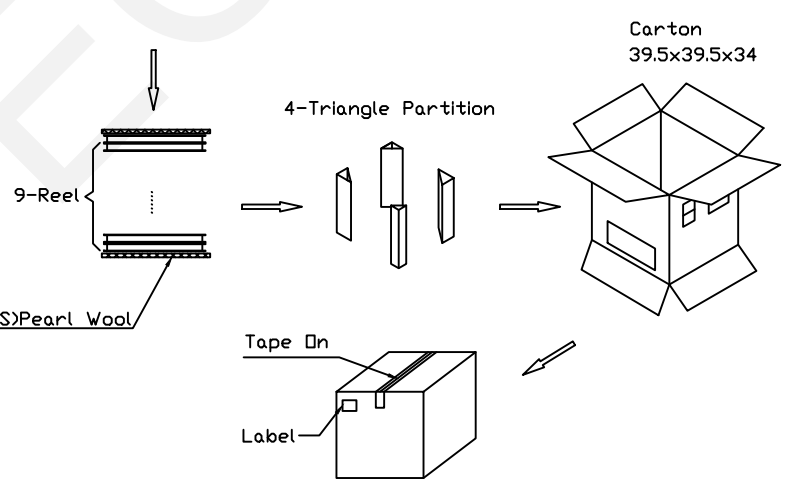
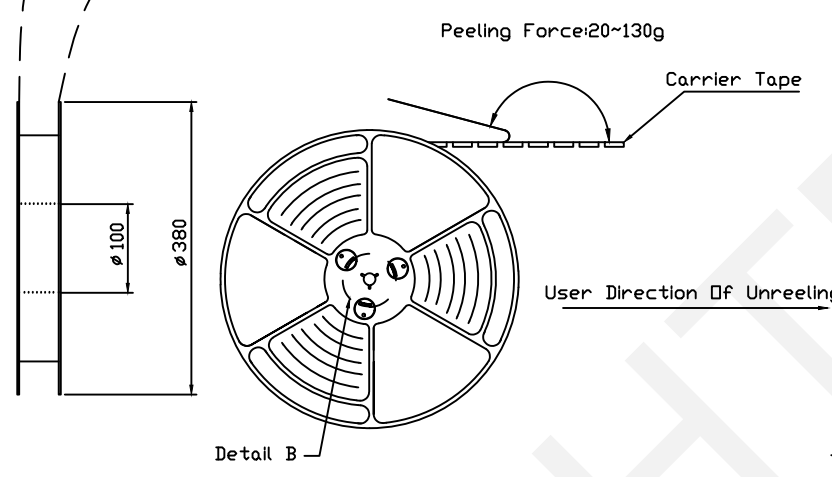
Nano SIM CONN,PUSH PULL, 6Pin, H1.4mm, With CD Pin	
THIRD ANGLE PROJECTION 	RHTAYIM-092-7P-1.4-R



Notes:
 1.Number Of Connectors:2500PCS/Reel
 2.Lead Tape Length



3.Quantity:22500PCS/Carton
 4.Weight :
 3.1 Net Weight :3.75Kg
 3.2 Gross Weight :7.75Kg



G	NINGBO RHT ELECTRONIC CO.,LTD	UNITS:mm	SHEET SIZE: A4	SCALE:---	DRWN BY PAN	Nano SIM CONN,PUSH PULL, 6Pin, H1.4mm, With CD Pin		
		0~3	3~18	18~50	50~120	CHK'D BY FENG	THIRD ANGLE PROJECTION 	RHTAYIM-092-7P-1.4-R
		±0.12	±0.15	±0.3	±0.5	APPR BY ZHAN		