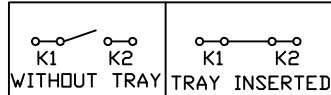


RECOMMEND PCB LAYOUT  
GENERAL TOLERANCE±0.05  
▨: PAD AREA  
□: KEEP OUT AREA

SPECIFICATION:

- 1.MATERIAL:
  - 1.1 HOUSING:LCP UL94V-0
  - 1.2 TERMINAL: COPPER ALLOY
- 2.PLATED
  - 2.1 TERMINAL:
    - 15u'~20u' PLATED ON CONTACT AREA
    - TIN ON SOLDER AREA
- 3.ELECTRICAL CHARACTERISTICS:
  - 3.1 CURRENT RATING:DC 0.5A Max.
  - 3.2 VOLTAGE RATING:DC 30V.
  - 3.3 CONTACT RESISTANCE: 50mΩ Max
  - 3.4 INSULATION RESISTANCE:1000MΩ Min.
  - 3.5 WITHSTANDING VOLTAGE:500V AC For 1 Minute.
- 4.OPERATION TEMPERATURE:-40°C~+85°C
- 5.DURABILITY :10000 CYCLES
- 6.SOLDER CONDITION:265°C 5S
- 7.PACKAGE: TAPE REEL,500PCS/REEL

CIRCUIT:



Pin Name	Description
C1	VCC
C2	RST
C3	CLK
C5	GND
C6	VPP
C7	I/O
K1	SW
K2	SW

Pin Assignment

Pin	Contact	Material	Pin
7	Contact	Phosphor Copper	8
6	Z-piece	Stainless Steel	1
5	Minor Axis	Brass	1
4	Push Rod	Manganese Steel	1
3	Spring	Stainless Steel	1
2	Button	LCP	1
1	Bracket	LCP	1

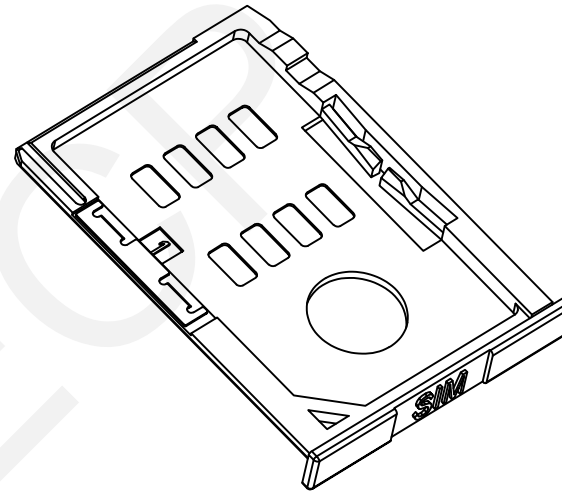
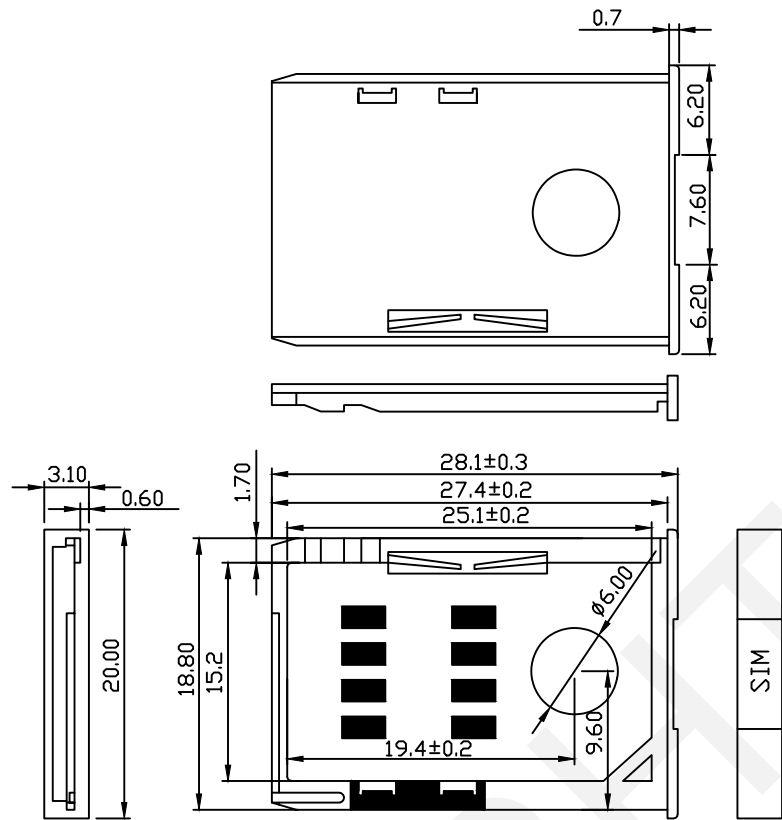


NINGBO RHT ELECTRONIC CO.,LTD

UNITS:mm	SHEET SIZE: A4	SCALE:---	DRWN BY PAN
0~3	3~18	18~50	50~120
±0.12	±0.15	±0.3	±0.5
CHK'D BY FENG		APPR BY ZHAN	

SIM CARD CONN PUSH-PUSH R/A SMD ROHS	
THIRD ANGLE PROJECTION	RHTAY66-SIM1005BH





SPECIFICATION:

1.MATERIAL:

1.1 HOUSING:PC UL94V-0

1.2 TERMINAL:COPPER ALLOY

2.PLATED

TERMINAL:5u" Au PLATED ON CONTACT AREA



NINGBO RHT ELECTRONIC CO.,LTD

UNITS:mm

SHEET SIZE: A4

SCALE:---

DRWN BY PAN

TRAY FOR SIM PLASTIC TYPE 3.00H ROHS

0~3

3~18

18~50

50~120

CHK'D BY FENG

THIRD ANGLE PROJECTION

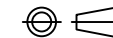
±0.12

±0.15

±0.3

±0.5

APPR BY ZHAN



RHTAY66-SIM1005BT

1

2

3

4

5

6

7

8

9



1 2 3 4 5 6 7 8 9

A

A

B

B

C

C

D

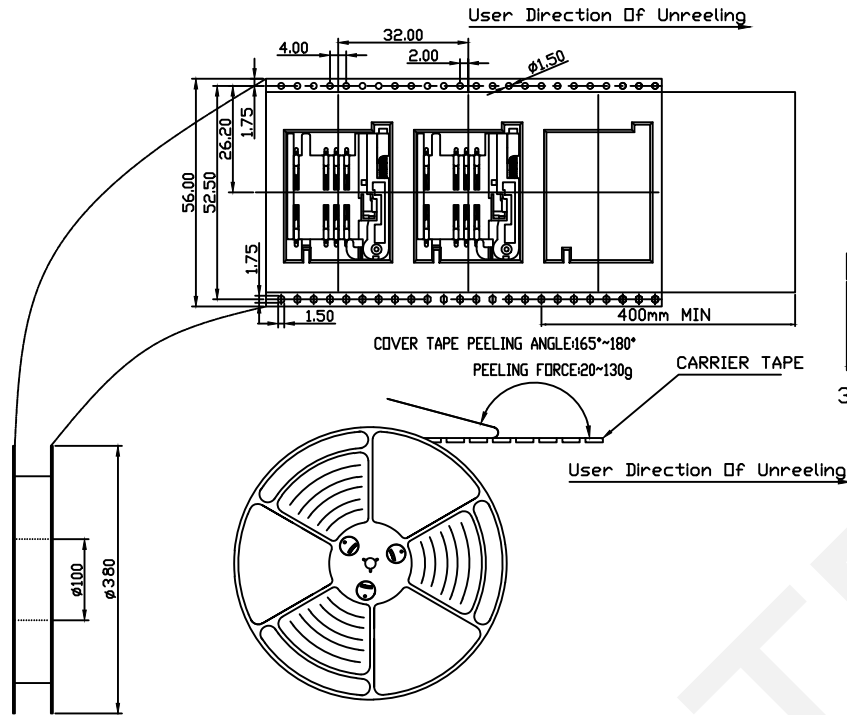
D

E

E

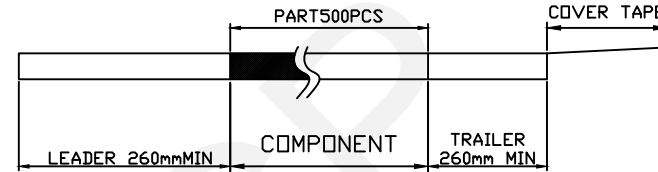
F

F



NOTES

- 1.NUMBER OF CONNECTORS:500PCS/REEL
- 2.LEAD TAPE LENGTH



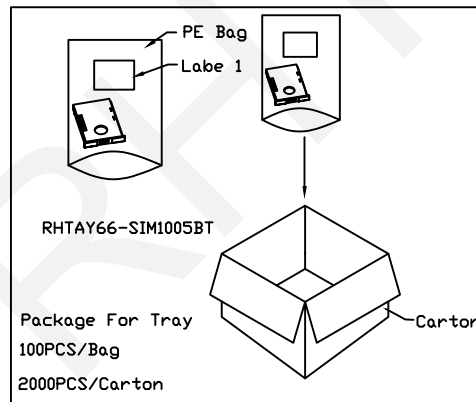
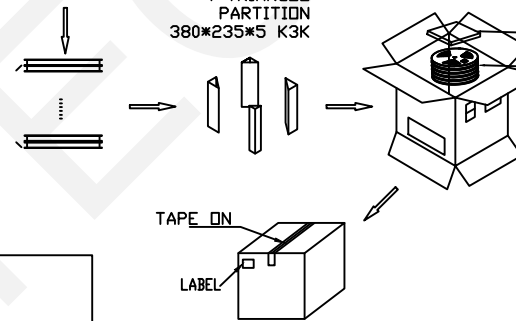
3.QUANTITY:2000PCS/CARTON

1SET=1pcs RHTAY66-SIM1005BH+RHTAY66-SIM1005BT

CARTON  
390\*390\*310 K=K

4-TRIANGLE  
PARTITION  
380\*235\*5 K3K

2000PCS RHTAY66-SIM1005BH  
2000PCS RHTAY66-SIM1005BT



G

G



NINGBO RHT ELECTRONIC CO.,LTD

UNITS:mm

SHEET SIZE: A4

SCALE:---

DRWN BY PAN

SIM CARD CONN PUSH-PUSH R/A SMD ROHS

0~3

3~18

18~50

50~120

CHK'D BY FENG

THIRD ANGLE PROJECTION

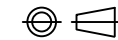
±0.12

±0.15

±0.3

±0.5

APPR BY ZHAN



RHTAY66-SIM1005BH

1

2

3

4

5

6

7

8

9